



**HESTORE.HU**

elektronikai alkatrész áruház

**EN:** This Datasheet is presented by the manufacturer.

Please visit our website for pricing and availability at [www.hestore.hu](http://www.hestore.hu).

## 80X80X25 mm

## JF0825-01 Series



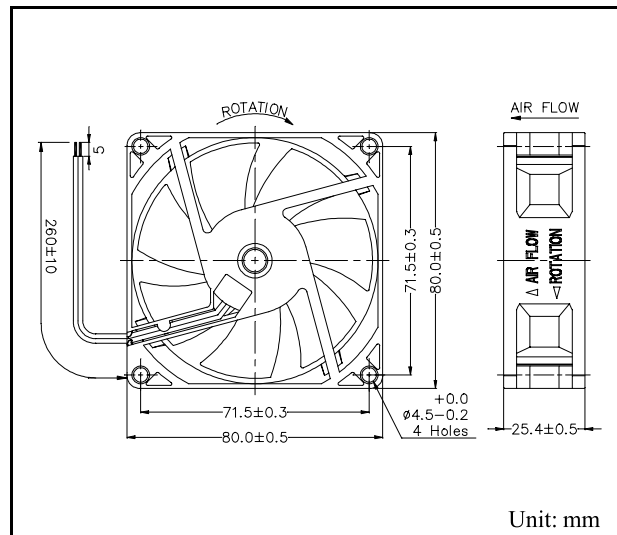
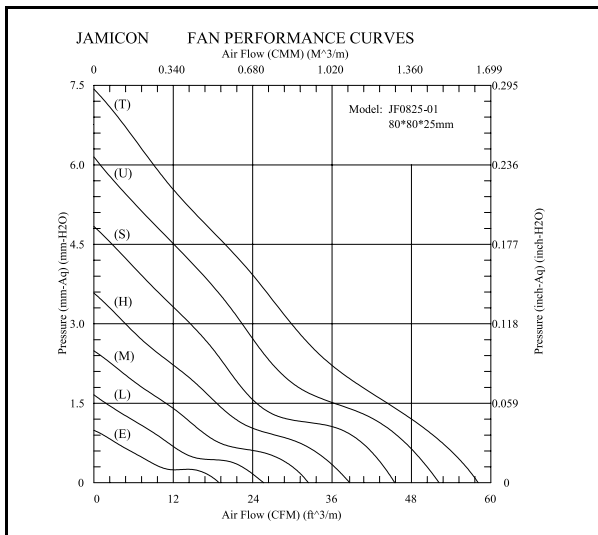
- **Frame** : Plastic Material UL 94V-0
- **Impeller** : Plastic Material UL 94V-0
- **Speed Range** :  $\pm 10\%$

### SPECIFICATIONS

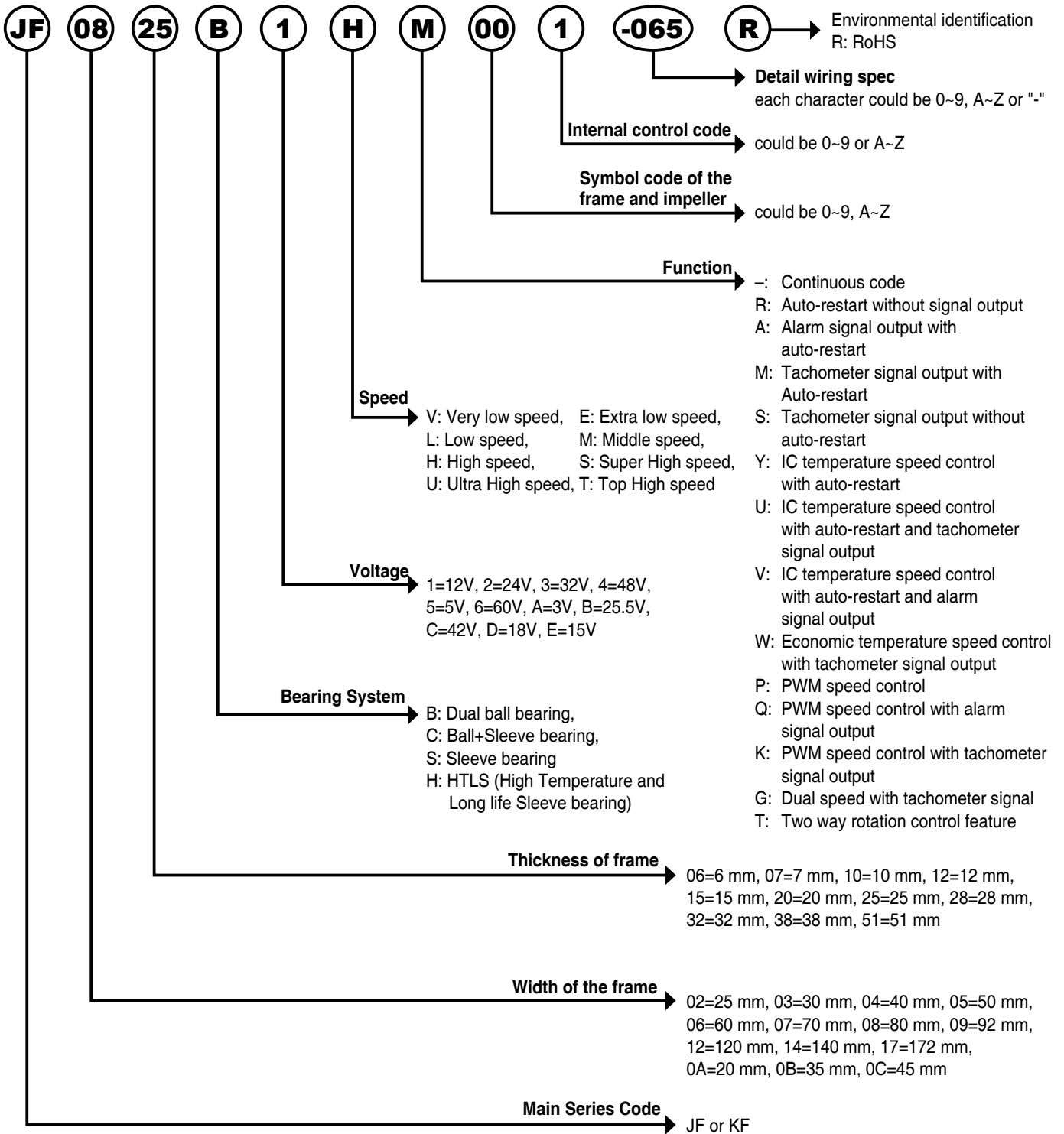
Model	Bearing	Rated Voltage (V)	Operating Voltage (V)	Air Flow (CFM)	Static Pressure (inchH <sub>2</sub> O)	Speed (R.P.M.)	Input Current (Amp)	Input Power (Watt)	Nominal Current (Amp)	Noise (dBA)	Weight (g)
JF0825-1UR01	B, H	12	10.2 ~ 13.8	52.20	0.242	4000	0.37	4.44	0.37	40.7	70
JF0825-1SR01	B, H, S			45.50	0.191	3500	0.26	3.12	0.26	36.7	
JF0825-1H-01	B, H, S			38.39	0.141	3000	0.19	2.28	0.19	32.1	
JF0825-1M-01	B, H, S			32.41	0.098	2500	0.13	1.56	0.15	28.8	
JF0825-1L-01	B, H, S			25.66	0.065	2000	0.09	1.08	0.10	22.4	
JF0825-1E-01	B, H, S	18.93	0.039	1500	0.06	0.72	0.06	13.9			
JF0825-2TR01	B, H	24	20.4 ~ 27.6	58.10	0.293	4500	0.27	6.48	0.27	43.9	
JF0825-2UR01	B, H			52.20	0.242	4000	0.21	5.04	0.21	40.7	
JF0825-2SR01	B, H, S			45.50	0.191	3500	0.16	3.84	0.17	36.7	
JF0825-2H-01	B, H, S			38.39	0.141	3000	0.13	3.12	0.15	32.1	
JF0825-2M-01	B, H, S			32.41	0.098	2500	0.10	2.40	0.13	28.8	
JF0825-2L-01	B, H, S	25.66	0.065	2000	0.08	1.92	0.10	22.4			
JF0825-2E-01	B, H, S	18.93	0.039	1500	0.04	0.96	0.05	13.9			
JF0825B4SR01	Dual Ball	48	40.8 ~ 60.0	45.50	0.191	3500	0.10	4.80	0.10	36.7	
JF0825B4HR01				38.39	0.141	3000	0.08	3.84	0.08	32.1	
JF0825B4MR01				32.41	0.098	2500	0.06	2.88	0.06	28.8	
JF0825B4LR01				25.66	0.065	2000	0.05	2.40	0.05	22.4	

Specifications subject to change without notice

The 7<sup>TH</sup> character of Model No means the bearing code. Please refer to the page "PART NUMBER SYSTEM". Please contact us for detail if your request bearing system is not shown in the above list.



### Part Number System



## Reference List of Measure Unit

### Air Flow Unit (風量單位)

**CFM** : Cubic Feet Per Minute (ft<sup>3</sup>/min ; 立方英尺/分)

**CMM** : Cubic Meter Per Minute (m<sup>3</sup>/min ; 立方公尺/分)

**CMH** : Cubic Meter Per Hour (m<sup>3</sup>/hr ; 立方公尺/小時)

### Air Flow Unit Conversion (風量單位換算表)

CFM	CMM	CMH
1	0.0283	1.698
35.3	1	60
0.588	0.0167	1

### Static Pressure Unit (靜壓單位)

**Pa** : Pascal (Pa = N/m<sup>2</sup> ; 牛頓/平方米)

**mmAq** : 1 mmAq = 1 mmH<sub>2</sub>O

### Static Pressure Unit Conversion (靜壓單位換算表)

Pa	mmH <sub>2</sub> O	inch H <sub>2</sub> O
1	0.10197	0.004017
9.80665	1	0.03939
249	25.4	1