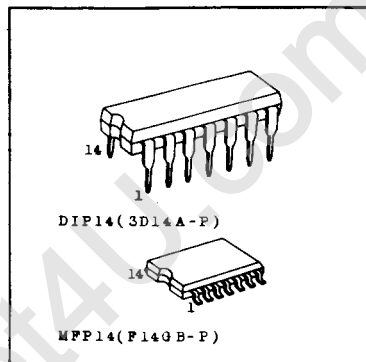
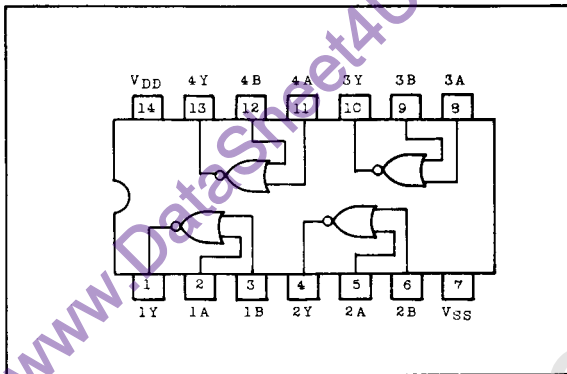


TC40H002P/F

C²MOS DIGITAL INTEGRATED CIRCUIT
SILICON MONOLITHIC

TC40H002 QUAD 2-INPUT NOR GATE
PIN CONNECTION



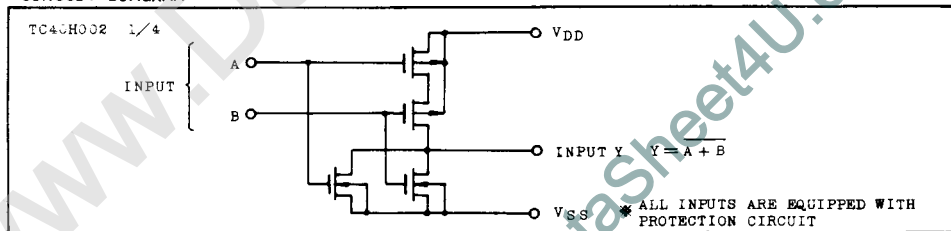
MAXIMUM RATINGS

CHARACTERISTIC	SYMBOL	RATING	UNIT
Supply Voltage	V _{DD}	V _{SS} -0.5~V _{SS} +10	V
Input Voltage	V _{IN}	V _{SS} -0.5~V _{DD} +0.5	V
Output Voltage	V _{OUT}	V _{SS} -0.5~V _{DD} +0.5	V
Input Current	I _{IN}	+ 10	mA
Power Dissipation	P _d	300 (DIP) / 180 (MFP)	mW
Storage Temperature	T _{stg}	-65 ~ 150	°C
Lead Temp./Time	T _{sol}	260°C. 10sec	

TRUTH TABLE

INPUT		OUTPUT
A	B	Y
L	L	H
H	L	L
L	H	L
H	H	L

CIRCUIT DIAGRAM



RECOMMENDED OPERATING CONDITIONS (V_{SS}=0V)

CHARACTERISTIC	SYMBOL	TEST CONDITION	MIN.	TYP.	MAX.	UNIT
Supply Voltage	V _{DD}		2.0	-	8.0	V
Input Voltage	V _{IN}		0	-	V _{DD}	V
Operating Temperature	T _{opr}		-40	-	85	°C

TC40H002P/F

ELECTRICAL CHARACTERISTICS (V_{SS}=0.0V)

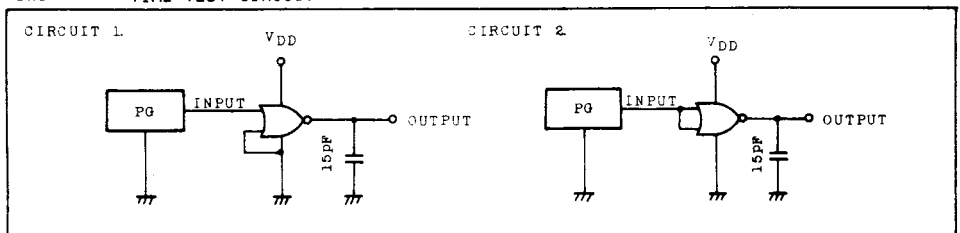
CHARACTERISTIC	SYMBOL	TEST CONDITION	V _{DD} (V)	-40°C		25°C			85°C		UNIT
				MIN.	MAX.	MIN.	TYP.	MAX.	MIN.	MAX.	
High Level Output Voltage	V _{OH}	I _{OUT} < 1μA V _{IN} =V _{SS}	5	4.95	-	4.95	5.0	-	4.95	-	V
Low Level Output Voltage	V _{OL}	I _{OUT} < 1μA V _{IN} =V _{SS} , V _{DD}	5	-	0.05	-	0.0	0.05	-	0.05	V
High Level Output Current	I _{OH}	V _{OH} =4.6V V _{IN} =V _{SS}	5	-0.52	-	-0.44	-	-	-0.36	-	mA
Low Level Output Current	I _{OL}	V _{OL} =0.4V V _{IN} =V _{SS} , V _{DD}	5	1.4	-	1.1	-	-	0.8	-	mA
Input Voltage	"H" Level V _{IH}	I _{OUT} < 1μA V _{OUT} =0.5V V _{OUT} =4.5V	5	4.0	-	4.0	-	-	4.0	-	V
	"L" Level V _{IL}		5	-	1.0	-	-	1.0	-	1.0	
Input Current	"H" Level I _{IH}	V _{IH} =8.0V	8	-	0.3	-	10 ⁻⁵	0.3	-	1.0	μA
	"L" Level I _{IL}	V _{IL} =0.0V	8	-	-0.3	-	-10 ⁻⁵	-0.3	-	-1.0	
Quiescent Supply Current	I _{DD}	*V _{IN} =V _{SS} , V _{DD}	5	-	2.0	-	10 ⁻³	2.0	-	10.0	μA

* All valid input combinations

SWITCHING CHARACTERISTICS (T_a=25°C, V_{SS}=0.0V, C_L=15pF)

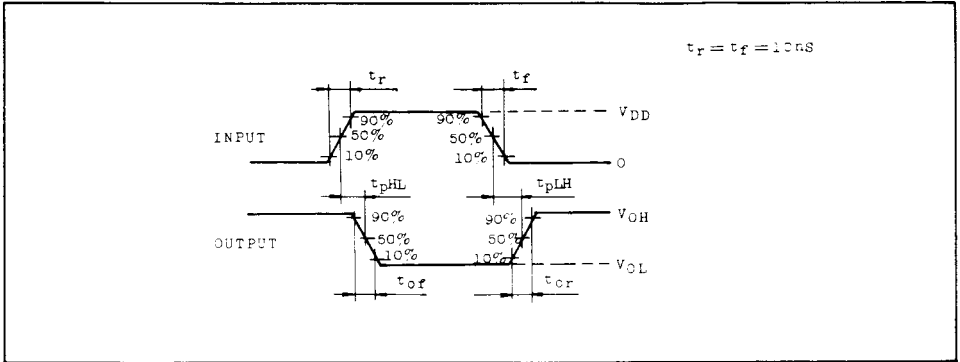
CHARACTERISTIC		SYMBOL	TEST CONDITION	V _{DD} (V)	MIN.	TYP.	MAX.	UNIT
Output Rise Time		t _{or}	Circuit 1	5	-	23	40	ns
Output Fall Time		t _{of}	Circuit 1	5	-	17	30	
Propagation Delay Time	(Low-High)	t _{PLH}	Circuit 1	5	-	18	27	ns
Propagation Delay Time	(High-Low)	t _{pHL}		5	-	17	25	
Propagation Delay Time	(Low-High)	t _{PLH}	Circuit 2	5	-	18	27	
Propagation Delay Time	(High-Low)	t _{pHL}		5	-	13	20	
Input Capacitance		C _{IN}			-	5	-	pF

SWITCHING TIME TEST CIRCUIT

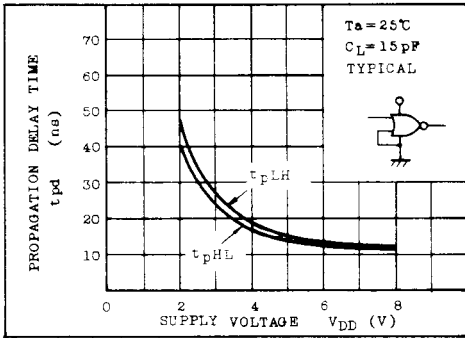


TC40H002P/F

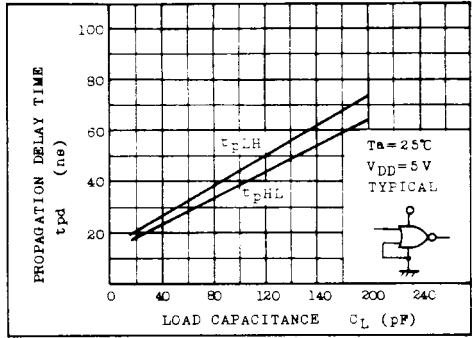
SWITCHING TIME TEST WAVEFORM



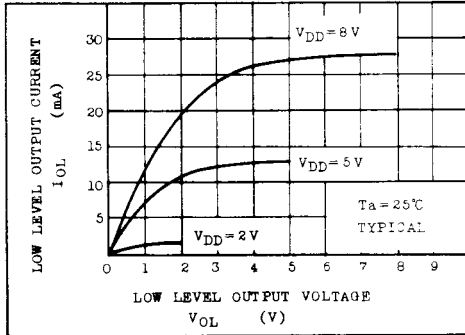
$t_{pd} - V_{DD}$



$t_{pd} - C_L$



$I_{OL} - V_{OL}$



$I_{OH} - (V_{DD} - V_{OH})$

