

## MAIN FEATURE

1. Switching capacity 15A in small size for exclusive automobile control relay switching box use.
2. Standard and European Specification available to comply with various requirements.
3. Various selections on types of sealing.
4. Ambient temperature range covers from -40°C to +85°C.
5. Comply with RoHS, REACH and ELV regulations.

## CONTACT RATING

Load Type	ARW (DM)	ARW (D)
Rated Load (Resistive)	5A 120VAC	5A 120VAC
	15A 12VDC	15A 12VDC
Rated Carrying Current	15A	15A
Max. Allowable Voltage	AC 120V	AC 120V
	DC 28V	DC 28V
Max. Allowable Current	15A	15A
Max. Allowable Power Force	600VA	600VA
	180W	180W
Contact Material	Ag Alloy	Ag Alloy
Contact Form	SPST	SPDT

## APPLICATION

Lighting Control, Door Lock Control, Power Window Control, Power Door Control, Sunroof Control

## PERFORMANCE (AT INITIAL VALUE)

- Contact Resistance ..... 100 mΩ Max.@1A, 6VDC
- Operate Time ..... 10 mSec. Max.
- Release Time ..... 10 mSec. Max.
- Dielectric Strength:
  - Between Coil & Contact ..... 1,000VAC at 50/60 Hz for one minute
  - Between Contacts ..... 500VAC at 50/60 Hz for one minute
- Surge Strength ..... 2,000V (between coil & contact 1.2x50μSec.)
- Insulation Resistance ..... 100 MegaΩ Min. at 500VDC
- Max. On/Off Switching:
  - Electrical ..... 6 Cycles per Minute
  - Mechanical ..... 300 Cycles per Minute

- Temperature Range ..... -40~+85°C
- Humidity Range ..... 45~85% RH.
- Coil Temperature Rise ..... 60°C Max.
- Vibration:
  - Destruction ..... 10 to 55 to 10 Hz, 0.75 mm single amplitude (1.5mm double amplitude)
  - Malfunction ..... 10 to 55 to 10 Hz, 0.75 mm single amplitude (1.5mm double amplitude)
- Shock:
  - Destruction ..... 1,000 m/S<sup>2</sup>
  - Malfunction ..... 100 m/S<sup>2</sup>
- Life Expectancy:
  - Mechanical ..... 10<sup>7</sup> Operations at No Load condition
  - Electrical ..... 10<sup>5</sup> Operations at Rated Resistive Load
- Weight ..... About 10g

## SAFETY STANDARD & FILE NUMBER

- UL & C-UL ..... E141060

**COIL SPECIFICATION (AT 20°C)**

Coil Sensitivity	Nominal Voltage (VDC)	Nominal Current (mA)	Coil Resistance ( $\Omega \pm 10\%$ )	Power Consumption (W)	Pull-In Voltage (VDC)	Drop-Out Voltage (VDC)	Maximum Allowable Voltage (VDC)
ARW (Standard)	6	150	40	Abt. 0.93	80% Maximum	5% Minimum	150% (for short time carrying current)
	9	93	97				
	12	77	155				
	15	59	255				
	18	47	380				
ARW (European)	6	214	28	Abt. 1.1	60% Maximum	5% Minimum	160% (for short time carrying current)
	12	92	130				
	24	46	520				

**ORDERING INFORMATION**

**ARW - SS - 1 12 D M 1**

**Specification:** Nil: Standard  
1: European

**Contact Form:** Nil: One Form C  
M: One Form A

**Coil Type:** D: Standard DC

**Coil Voltage:** 06: 6V, 09: 9V, 12: 12V, 15: 15V, 18: 18V, 24: 24V

**Number of Pole:** 1: One Pole

**Type of Sealing:** Nil: RT 0 Unclosed  
SS: RT II Flux Proofed  
SH: RT III Wash Tight

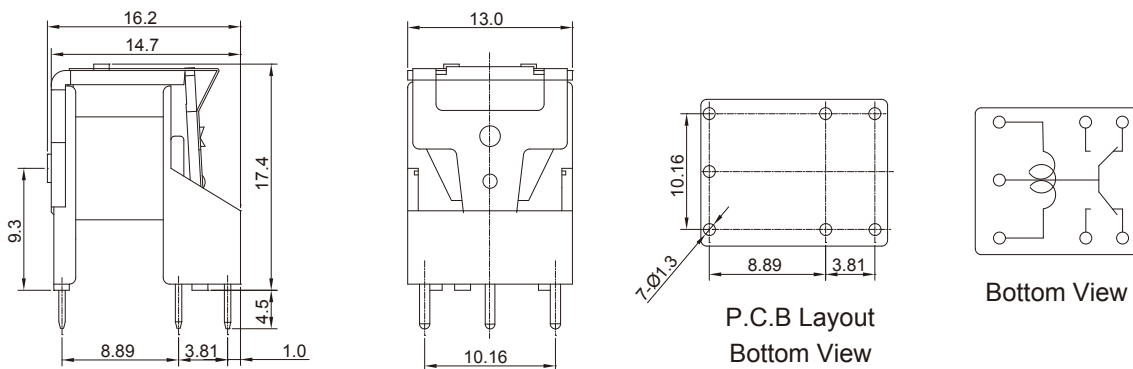
**Type:** ARW

**CLASSIFICATION**

Model	ARW			
	Standard		European	
Coil Sensitivity				
Contact Form	1C	1A	1C	1A
Unclosed	ARW-1□□D	ARW-1□□DM	ARW-1□□D1	ARW-1□□DM1
Flux Proofed	ARW-SS-1□□D	ARW-SS-1□□DM	ARW-SS-1□□D1	ARW-SS-1□□DM1
Wash Tight	ARW-SH-1□□D	ARW-SH-1□□DM	ARW-SH-1□□D1	ARW-SH-1□□DM1

**DIMENSION ( $\leq 5\text{mm} \pm 0.2\text{mm}$ ,  $> 5\text{mm} \pm 0.3\text{mm}$ , the tolerance of PCB thru hole:  $+0.1\text{mm}$ )**

**ARW**



**ARW-SS/SH**

