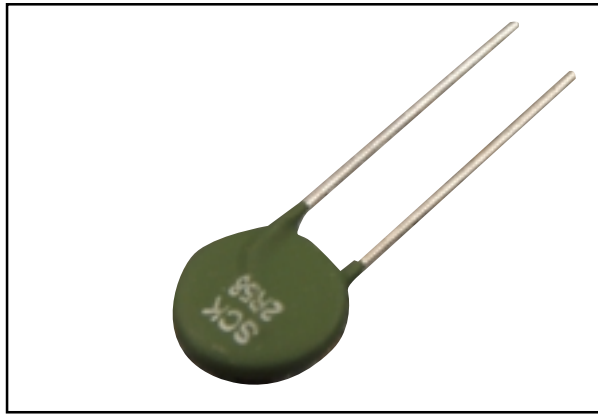
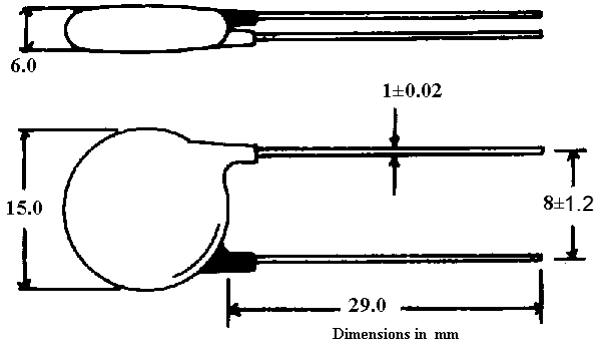


NTC THERMISTORS - SCK 15 Series



Features:

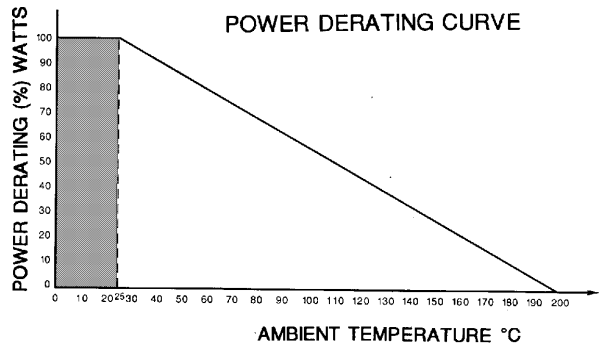
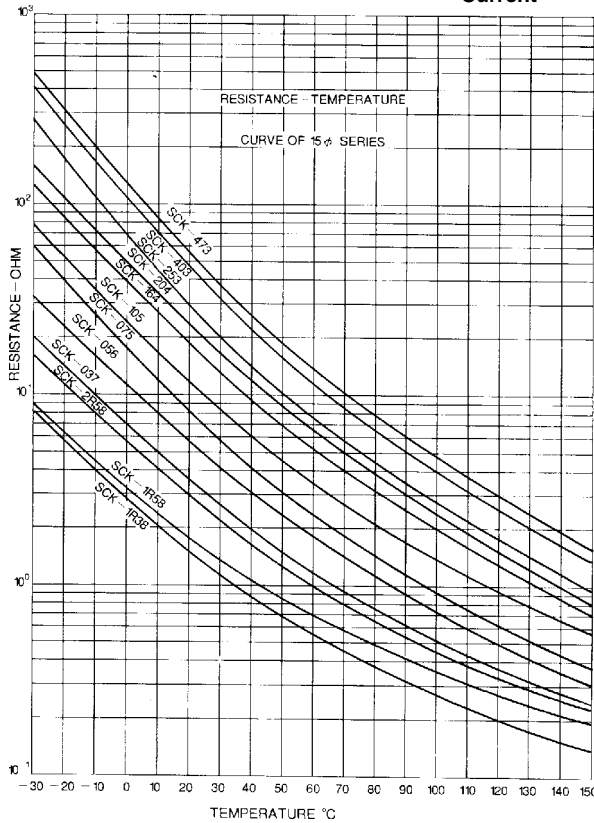
- NTC Surge Protectors limit the current at switch on, particularly useful for high capacitive/inductive loads.



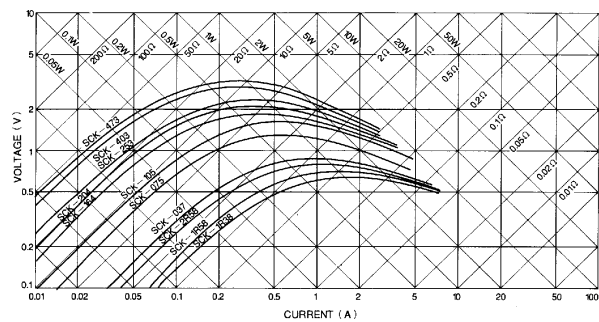
Order code SCK

Zero Power Resistance

Steady State Current



V-I CHARACTERISTIC CURVE FOR 15 ϕ SERIES



Part No.	Zero Power Resistance at 25°C (Ω)	Max. Steady State Current at 25°C (A)	Thermal Dissipation Constant ($\text{mw}/^\circ\text{C}$)	Thermal time Constant (Sec.)	Operating Temp. ($^\circ\text{C}$)
SCK-1R38	1.3	8	21	59	-40~+200
SCK-1R58	1.5	8	21	66	-40~+200
SCK-2R58	2.5	8	20	63	-40~+200
SCK-037	3	7	21	73	-40~+200
SCK-056	5	6	20	66	-40~+200
SCK-057	5	7	20	65	-40~+200
SCK-075	7	5	20	79	-40~+200
SCK-105	10	5	20	79	-40~+200
SCK-164	16	4	19	79	-40~+200
SCK-204	20	4	18	90	-40~+200
SCK-253	25	3	21	76	-40~+200
SCK-403	40	3	22	83	-40~+200
SCK-473	47	3	20	77	-40~+200

Microtherm Ltd, Guildford, Surrey GU4 7WA

Tel +44 (0)1483 883969 • Fax +44 (0)1483 451816 • www.microtherm.co.uk • office@microtherm.co.uk