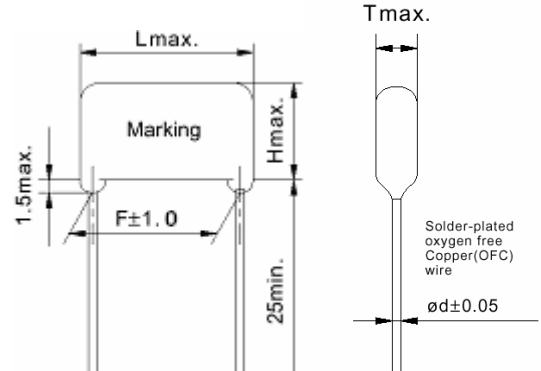


**Metallized Polypropylene Film Capacitor.(high voltage)**

**FEATURES**

- Non-inductive construction.
- Self-healing property.
- Small size less thickness, specially designed for electronic ballast usage.
- High corona starting voltage.
- Large current rating and high maximum pulse rise time.
- Flame-retardant epoxy resin coating ( UL 94V-O )



**SPECIFICATIONS**

1. OPERATING TEMPERATURE: -40°C~+85°C, +85°C~105°C:decreasing factor 1.25%/°C for VR(DC)
2. CAPACITANCE RANGE: See Table
3. CAPACITANCE TOLERANCE: ±5%(J), ±10%(K)
4. RATED VOLTAGE: See Table
5. DISSIPATION FACTOR: 0.08% max. at 1KHz, 20°C
6. WITHSTAND VOLTAGE: 200% of the Rated Voltage for 1~5 Sec.
7. INSULATION RESISTANCE: Measured at 500V.DC, 60 Sec. Between Terminals: 100,000MΩ min
8. Load life Test : Will withstand the test of R.H. 95% at 85°C for 1000hrs with 150% R.V. through series resistor of 20~1000Ω/V. After the test, the capacitance drift less than 5%, D.F. less than 0.1%, I.R. >= 15,000MΩ.

Unit : :mm

RV SIZE CAP.(μF)	1600VDC			
	L	H	T	F
0.001	18.0	10.5	7.5	15.0
0.0012	18.0	10.5	7.5	15.0
0.0015	18.0	10.5	7.5	15.0
0.0018	18.0	10.5	7.5	15.0
0.0022	18.0	10.5	7.5	15.0
0.0027	18.0	10.5	7.5	15.0
0.0033	18.0	10.5	7.5	15.0
0.0039	18.0	10.5	7.5	15.0
0.0047	18.0	11.0	7.8	15.0
0.0056	18.0	11.5	8.0	15.0
0.0068	18.0	11.5	8.0	15.0
0.0082	18.0	11.5	8.2	15.0