

ALUMINUM ELECTROLYTIC CAPACITORS



PG Series

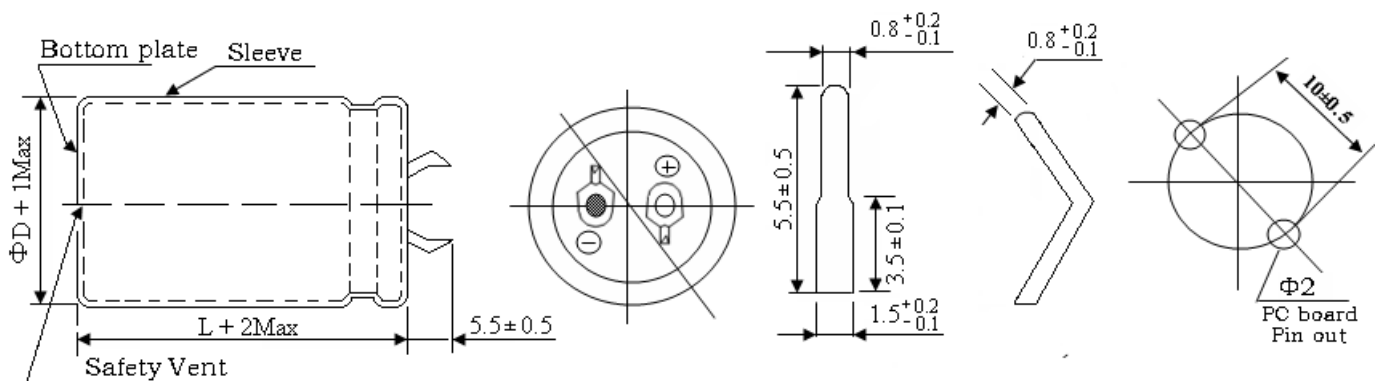
Smaller size with higher ripple current.
Load life 5,000 hours at 105°C.



SPECIFICATIONS

Item	Performance Characteristics						
Category Temperature Range	-25 ~ +105°C						
Working Voltage Range	200 ~ 450Vdc						
Capacitance Range	68 ~ 2,200µF						
Capacitance Tolerance	±20% (at 25°C and 120Hz)						
Dissipation Factor (tanδ) (at 25°C, 120Hz)	Rated Voltage (V)	200	220	250	400	420	450
	tanδ(Max)	0.20	0.20	0.20	0.25	0.25	0.25
Leakage Current	I=0.02CV or 3000µA, whichever is smaller I : Leakage current (µA) C : Rated capacitance (µF) V : Rated voltage (V) Impress the rated voltage for 5 minutes.						
Endurance	The following requirements shall be satisfied when the capacitor are restored to 25°C after the rated voltage applied for 5,000 hours at 105°C.						
	Capacitance change	≒ ±20% of the initial value					
	Dissipation factor(tanδ)	≒ 200% of the specified value					
Shelf Life	The following requirements shall be satisfied when the capacitor are restored to 25°C after exposing them for 1,000 hours at 105°C without voltage applied.						
	Capacitance change	≒ ±20% of the initial value					
	Dissipation factor(tanδ)	≒ 200% of the specified value					
Others	Conforms to JIS-C-5101-4 (1998), characteristic W.						

DIMENSIONS (mm)



ALUMINUM ELECTROLYTIC CAPACITORS



PG Series

Case size & Permissible rated ripple current (mA rms) 120Hz / 105°C:

Vdc ΦD uF	200								Vdc ΦD uF	220							
	Φ 22		Φ 25		Φ 30		Φ 35			Φ 22		Φ 25		Φ 30		Φ 35	
	ΦD×L	RC	ΦD×L	RC	ΦD×L	RC	ΦD×L	RC		ΦD×L	RC	ΦD×L	RC	ΦD×L	RC	ΦD×L	RC
270	22×31	1010							220	22×31	900						
330	22×35	1150							270	22×31	950						
390	22×41	1210	25×31	1200					330	22×35	1200	25×31	1150				
470	22×45	1330	25×35	1320					390	22×41	1300	25×35	1320				
560	22×51	1470	25×41	1460	30×31	1460			470	22×45	1520	25×41	1400	30×31	1350		
680			25×45	1620	30×35	1630			560	22×51	1610	25×45	1510	30×35	1510		
820			25×51	1780	30×41	1830	35×31	1820	680			25×51	1710	30×41	1660	35×31	1620
1000					30×45	2100	35×35	2100	820					30×45	1820	35×35	1760
1200					30×51	2410	35×41	2420	1000					30×51	2160	35×41	2140
1500							35×51	2810	1200							35×45	2520
1800									1500							35×51	2960

Vdc ΦD uF	250								Vdc ΦD uF	400							
	Φ 22		Φ 25		Φ 30		Φ 35			Φ 22		Φ 25		Φ 30		Φ 35	
	ΦD×L	RC	ΦD×L	RC	ΦD×L	RC	ΦD×L	RC		ΦD×L	RC	ΦD×L	RC	ΦD×L	RC	ΦD×L	RC
120									68	22×25	470						
150									82	22×25	580						
180									100	22×31	640	25×25	640				
220	22×31	910							120	22×35	690	25×31	680				
270	22×35	1050							150	22×41	810	25×31	810	30×25	750		
330	22×41	1170	25×35	1160					180	22×45	900	25×35	890	30×31	870		
390	22×45	1360	25×41	1330	30×31	1360			220	22×51	1010	25×41	1000	30×35	1000	35×31	1000
470	22×51	1460	25×45	1430	30×35	1510			270			25×51	1100	30×41	1100	35×31	1110
560			25×51	1640	30×41	1640			330					30×45	1310	35×35	1310
680					30×45	1820	35×35	1820	390					30×51	1410	35×41	1420
820					30×51	1990	35×41	2030	470							35×45	1530
1000							35×45	2140	560							35×51	1680
1200							35×51	2760	680							35×55	1880

Vdc ΦD uF	420								Vdc ΦD uF	450							
	Φ 22		Φ 25		Φ 30		Φ 35			Φ 22		Φ 25		Φ 30		Φ 35	
	ΦD×L	RC	ΦD×L	RC	ΦD×L	RC	ΦD×L	RC		ΦD×L	RC	ΦD×L	RC	ΦD×L	RC	ΦD×L	RC
68	22×25	460							68	22×25	490						
82	22×31	590	25×25	600					82	22×31	590						
100	22×35	630	25×31	620					100	22×35	640	25×31	640	30×25	580		
120	22×41	670	25×31	700	30×25	750			120	22×41	690	25×35	690	30×25	670		
150	22×45	790	25×35	800	30×31	770			150	22×45	810	25×41	810	30×31	740	35×25	690
180	22×51	880	25×41	870	30×31	890			180	22×51	900	25×45	870	30×35	840	35×31	790
220			25×45	990	30×35	1050	35×31	980	220			25×51	1010	30×41	940	35×31	970
270			25×51	1270	30×41	1100	35×35	1080	270					30×45	1070	35×35	1080
330					30×45	1260	35×41	1230	330					30×51	1210	35×41	1250
390					30×51	1380	35×45	1350	390							35×45	1380
470							35×51	1450	470							35×51	1560
560							35×55	1650	560								

RIPPLE CURRENT MULTIPLIERS

Frequency Multipliers

Vdc	Frequency (Hz)				
	50/60	120	1K	10K	100K
200 ~ 250	0.80	1.00	1.20	1.30	1.40
400 ~ 450	0.80	1.00	1.10	1.12	1.15