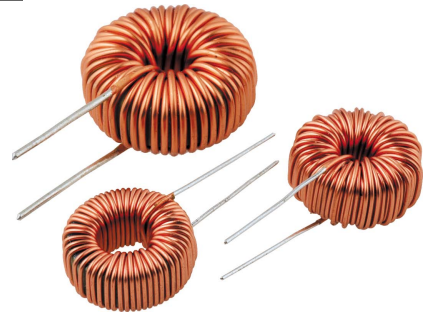


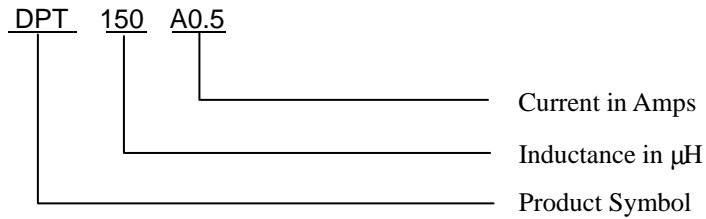
FERROCORE WOUND TOROIDS COILS / DPT/DPH TYPE

APPLICATIONS

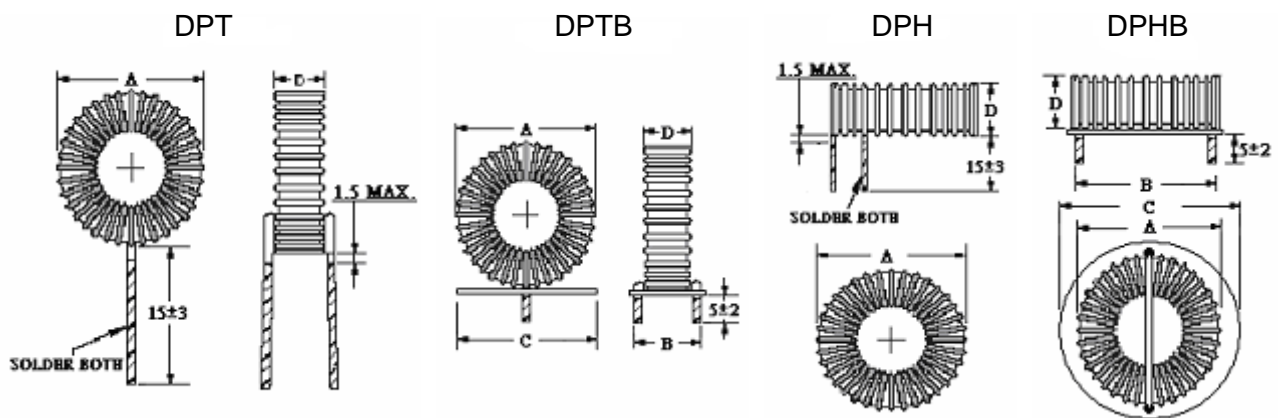
- ◆ Other filters
- ◆ Power supplies
- ◆ Output chokes
- ◆ EMI/RFI chokes
- ◆ Switching Circuits
- ◆ SCR and Triac Controls



ORDERING CODE



SHAPES



DIMENSIONS (UNIT: mm)

Part No.	A (Max)	B (Max)	C (Max)	D (Max)
DPT	7.5 ~ 42.5			5.5 ~ 21.5
DPTB	12.0 ~ 39.0	10 ~ 20	11 ~ 30	7.0 ~ 18.5
DPH	7.5 ~ 42.5			5.5 ~ 21.5
DPHB	12.0 ~ 39.0	9 ~ 36	13 ~ 42	7.0 ~ 18.5

FERROCORE WOUND TOROIDS COILS / DPT/DPH TYPE

SPECIFICATIONS

Part No.	Rated Current (A) Max	Inductance (uH)	DC Resistance (Ω) MAX	Dimension (mm)	
		1KHz/0A		A (Max)	D (Max)
DPT/DPH5A0.5	0.5	5.0	0.007	7.5	4.5
DPT/DPH20A0.2	0.2	20.0	0.198	7.5	4.0
DPT/DPH10A2	2.0	10.0	0.017	12.0	7.0
DPT/DPH32A1	1.0	32.0	0.065	12.0	7.0
DPT/DPH82A2	2.0	8.2	0.017	14.5	7.0
DPT/DPH24A1	1.0	24.0	0.055	13.5	6.0
DPT/DPH15A2	2.0	15.0	0.023	15.5	7.5
DPT/DPH14A1	1.0	140.0	0.140	15.0	7.5
DPT/DPH20A3	3.0	20.0	0.021	17.5	9.0
DPT/DPH100A2	2.0	100.0	0.081	17.0	9.0
DPT/DPH35A3	3.0	35.0	0.026	20.5	10.5
DPT/DPH110A2	2.0	110.0	0.069	19.5	10.0
DPT/DPH25A5	5.0	25.0	0.016	24.0	10.5
DPT/DPH130A3	3.0	130.0	0.055	23.0	10.5
DPT/DPH60A4	4.0	60.0	0.030	26.5	11.5
DPT/DPH110A2	2.0	110.0	0.074	25.0	10.0
DPT/DPH90A5	5.0	90.0	0.034	29.5	15.5
DPT/DPH450A2	2.0	450.0	0.174	28.0	14.0
DPT/DPH30A10	10.0	30.0	0.009	36.0	19.5
DPT/DPH68A7	7.0	68.0	0.021	35.0	18.0
DPT/DPH200A3	3.0	200.0	0.078	32.0	16.0
DPT/DPH75A10	10.0	75.0	0.014	42.0	19.5
DPT/DPH200A5	5.0	200.0	0.056	39.0	17.0
DPT150A0.5	0.5	150	0.300	16	8.5
DPT220A0.5	0.5	220	0.350	15.5	8.5
DPT330A0.5	0.5	330	0.440	15.5	9.0
DPT0.47A1	1	0.47	0.030	13.5	7.5
DPT047A1	1	47	0.003	15.5	8.5
DPT100A1	1	100	0.240	15.5	8.5
DPT150A1	1	150	0.300	15.5	9.5
DPT220A1	1	220	0.360	15.5	9.5
DPT330A1	1	330	0.440	15.5	8.5
DPT0.22A3	3	0.22	0.012	13.5	7.5
DPT0.47A3	3	0.47	0.010	13.5	7.5
DPT022A3	3	22	0.012	15.5	8.5
DPT047A3	3	47	0.010	15.5	8.5
DPT100A3	3	100	0.100	15.5	8.5
DPT150A3	3	150	0.120	15.5	8.5
DPT220A3	3	220	0.140	16.0	9.0
DPT330A3	3	330	0.190	16.5	9.0
DPT470A3	3	470	0.240	15.5	9.0
DPT0.47A5	5	0.47	0.010	13.5	7.5
DPT047A5	5	47	0.010	13.5	8.5
DPT100A5	5	100	0.120	16.5	9.0
DPT220A5	5	220	0.110	16.5	9.0
DPT100A6	6	100	0.065	16.5	9.5

Tolerance $\pm 20\%$