

Sharlight CMS-1101500 led display, 32x24mm 7 segment.  
 4,2V, 20mA, DP- 2,1V. Common cathode,

CC -1

A - 8

B - 7

C - 4

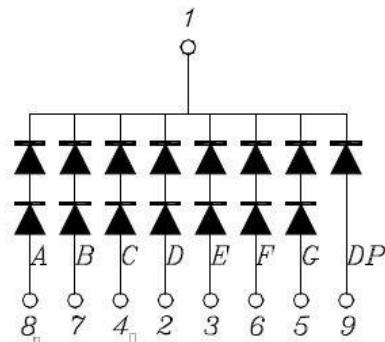
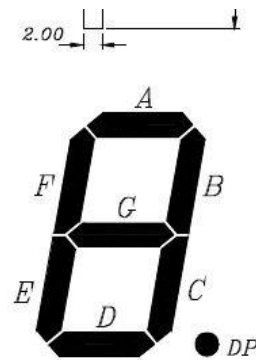
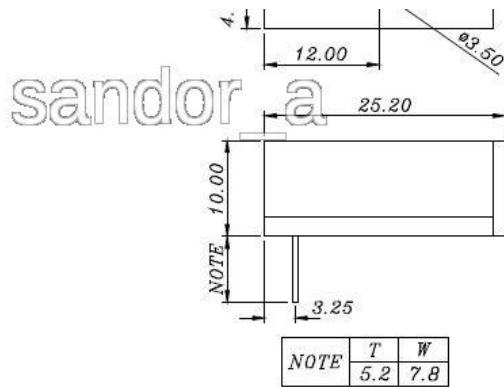
D - 2

E - 3

F - 6

G - 5

DP - 9



- 1 COMMON CATHODE
- 2 ANODE D
- 3 ANODE E
- 4 ANODE C
- 5 ANODE G
- 6 ANODE F
- 7 ANODE B
- 8 ANODE A
- 9 ANODE DP

[www.vatera.hu](http://www.vatera.hu)