

Silicon PNP Darlington Power Transistors

TIP145/146/147

DESCRIPTION

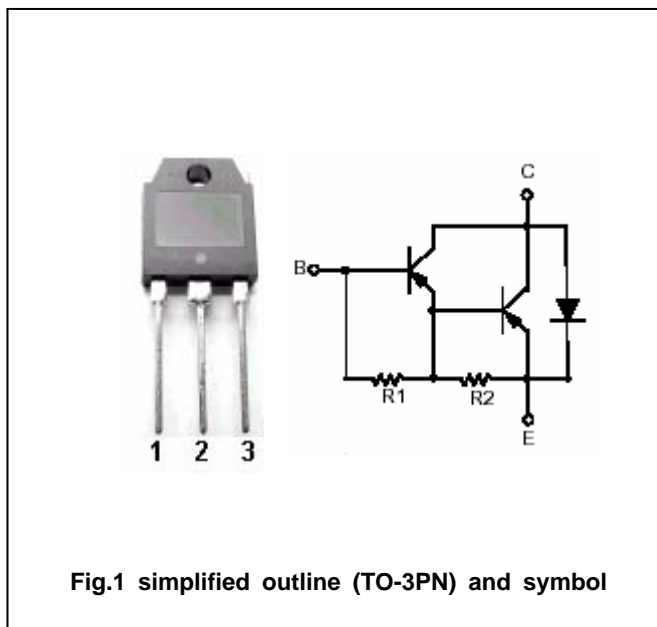
- With TO-3PN package
- DARLINGTON
- High DC current gain
- Complement to type TIP140/141/142

APPLICATIONS

- Designed for general-purpose amplifier and low frequency switching applications.

PINNING

PIN	DESCRIPTION
1	Base
2	Collector;connected to mounting base
3	Emitter



Absolute maximum ratings(Tc=25)

SYMBOL	PARAMETER	CONDITIONS	VALUE	UNIT
V _{CBO}	Collector-base voltage	TIP145	-60	V
		TIP146	-80	
		TIP147	-100	
V _{CEO}	Collector-emitter voltage	TIP145	-60	V
		TIP146	-80	
		TIP147	-100	
V _{EBO}	Emitter-base voltage	Open collector	-5	V
I _C	Collector current-DC		-10	A
I _{CM}	Collector current-peak		-15	A
I _B	Base current-DC		-0.5	A
P _C	Collector power dissipation	T _C =25	125	W
T _j	Junction temperature		150	
T _{stg}	Storage temperature		-65~150	

THERMAL CHARACTERISTICS

SYMBOL	PARAMETER	MAX	UNIT
R _{th j-c}	Thermal resistance junction to case	1.0	/W
R _{th j-A}	Thermal resistance case to ambient	35.7	/W

Silicon PNP Darlington Power Transistors

TIP145/146/147

CHARACTERISTICS

T_j=25 unless otherwise specified

SYMBOL	PARAMETER	CONDITIONS	MIN	TYP.	MAX	UNIT
V _{CE0(SUS)}	Collector-emitter sustaining voltage	TIP145	I _C =-30mA, I _B =0	-60		V
		TIP146		-80		
		TIP147		-100		
V _{CEsat-1}	Collector-emitter saturation voltage	I _C =-5A, I _B =-10mA			-2.0	V
V _{CEsat-2}	Collector-emitter saturation voltage	I _C =-10A, I _B =-40mA			-3.0	V
V _{BEsat}	Base-emitter saturation voltage	I _C =-10A, I _B =-40mA			-3.5	V
V _{BE}	Base-emitter on voltage	I _C =-10A; V _{CE} =-4V			-3.0	V
I _{CBO}	Collector cut-off current	TIP145	V _{CB} =-60V, I _E =0		-1	mA
		TIP146		V _{CB} =-80V, I _E =0		
		TIP147		V _{CB} =-100V, I _E =0		
I _{CEO}	Collector cut-off current	TIP145	V _{CE} =-30V, I _B =0		-2	mA
		TIP146		V _{CE} =-40V, I _B =0		
		TIP147		V _{CE} =-50V, I _B =0		
I _{EBO}	Emitter cut-off current	V _{EB} =-5V; I _C =0			-2	mA
h _{FE-1}	DC current gain	I _C =-5A; V _{CE} =-4V	1000			
h _{FE-2}	DC current gain	I _C =-10A; V _{CE} =-4V	500			

Switching times

t _d	Delay time	V _{CC} = -30 V, I _C = -5.0 A, I _B = -20 mA Duty Cycle 20% I _{B1} = I _{B2} , R _C & R _B Varied, T _J = 25		0.15		μs
t _r	Rise time			0.55		μs
t _{stg}	Storage time			2.5		μs
t _f	Fall time			2.5		μs

Silicon PNP Darlington Power Transistors

TIP145/146/147

PACKAGE OUTLINE

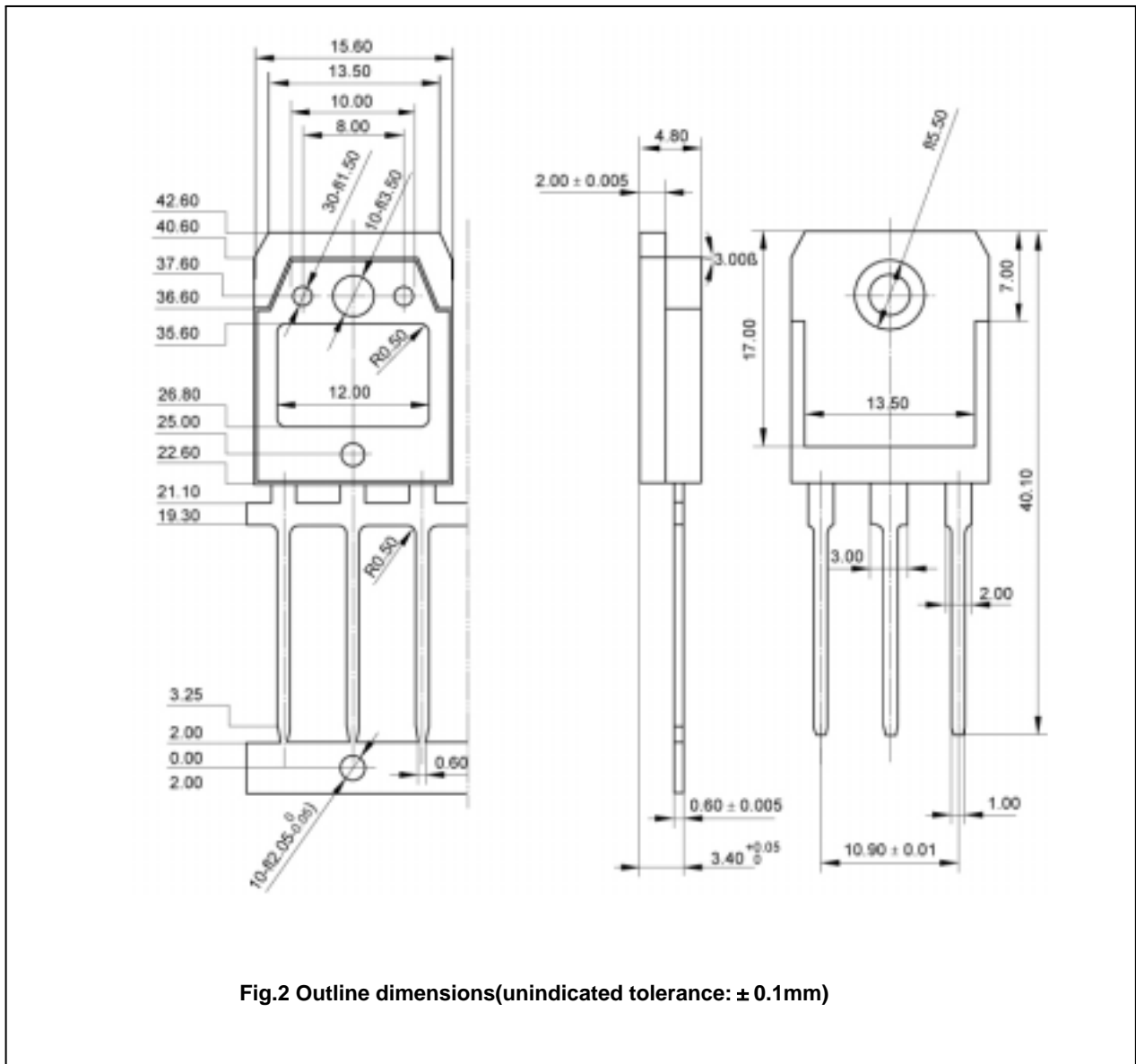


Fig.2 Outline dimensions(unindicated tolerance: ± 0.1 mm)

Silicon PNP Darlington Power Transistors

TIP145/146/147

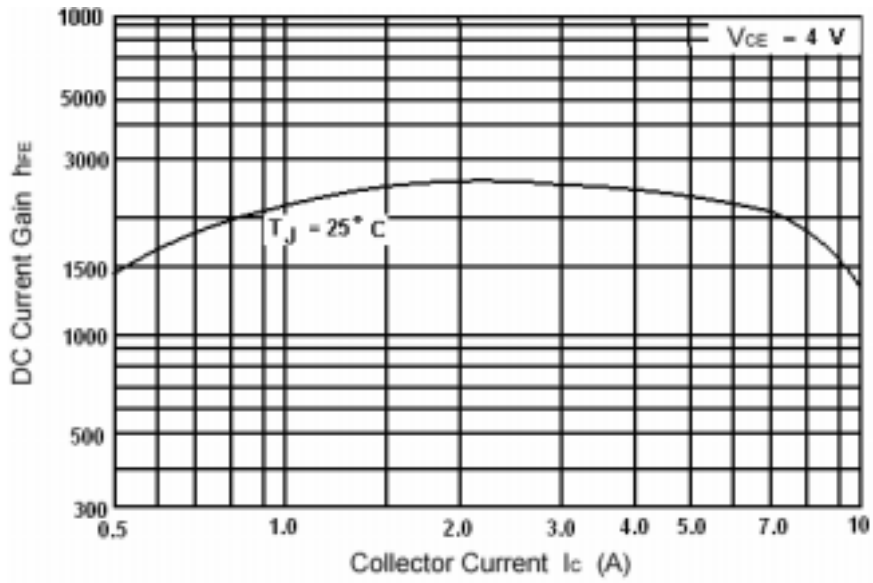


Fig.3 DC current Gain

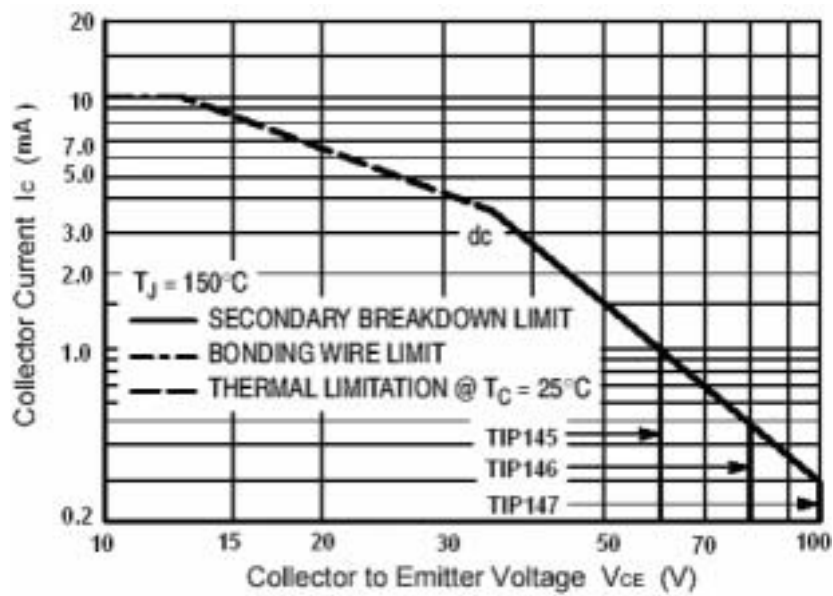


Fig.4 Safe Operating Area