

SN54192, SN54193, SN54LS192, SN54LS193, SN74192, SN74193, SN74LS192, SN74LS193 SYNCHRONOUS 4-BIT UP/DOWN COUNTERS (DUAL CLOCK WITH CLEAR)

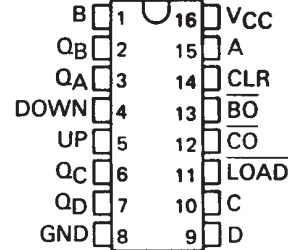
SDLS074 - DECEMBER 1972 - REVISED MARCH 1988

- Cascading Circuitry Provided Internally
- Synchronous Operation
- Individual Preset to Each Flip-Flop
- Fully Independent Clear Input

SN54192, SN54193, SN54LS192,
SN54LS193 . . . J OR W PACKAGE
SN74192, SN74193 . . . N PACKAGE
SN74LS192, SN74LS193 . . . D OR N PACKAGE

| TYPES | TYPICAL MAXIMUM COUNT FREQUENCY | TYPICAL POWER DISSIPATION |
|----------------|------------------------------------|------------------------------|
| '192, '193 | 32 MHz | 325 mW |
| 'LS192, 'LS193 | 32 MHz | 95 mW |

(TOP VIEW)



description

These monolithic circuits are synchronous reversible (up/down) counters having a complexity of 55 equivalent gates. The '192 and 'LS192 circuits are BCD counters and the '193 and 'LS193 are 4-bit binary counters. Synchronous operation is provided by having all flip-flops clocked simultaneously so that the outputs change coincidentally with each other when so instructed by the steering logic. This mode of operation eliminates the output counting spikes which are normally associated with asynchronous (ripple-clock) counters.

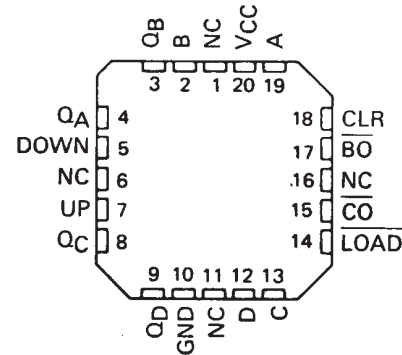
The outputs of the four master-slave flip-flops are triggered by a low-to-high-level transition of either count (clock) input. The direction of counting is determined by which count input is pulsed while the other count input is high.

All four counters are fully programmable; that is, each output may be preset to either level by entering the desired data at the data inputs while the load input is low. The output will change to agree with the data inputs independently of the count pulses. This feature allows the counters to be used as modulo-N dividers by simply modifying the count length with the preset inputs.

A clear input has been provided which forces all outputs to the low level when a high level is applied. The clear function is independent of the count and load inputs. The clear, count, and load inputs are buffered to lower the drive requirements. This reduces the number of clock drivers, etc., required for long words.

These counters were designed to be cascaded without the need for external circuitry. Both borrow and carry outputs are available to cascade both the up- and down-counting functions. The borrow output produces a pulse equal in width to the count-down input when the counter underflows. Similarly, the carry output produces a pulse equal in width to the count-up input when an overflow condition exists. The counters can then be easily cascaded by feeding the borrow and carry outputs to the count-down and count-up inputs respectively of the succeeding counter.

SN54LS192, SN54LS193 . . . FK PACKAGE
(TOP VIEW)



NC - No internal connection

absolute maximum ratings over operating free-air temperature range (unless otherwise noted)

| | SN54' | SN54LS' | SN74' | SN74LS' | UNIT |
|---------------------------------------|------------|---------|------------|---------|------|
| Supply voltage, V_{CC} (see Note 1) | 7 | 7 | 7 | 7 | V |
| Input voltage | 5.5 | 7 | 5.5 | 7 | V |
| Operating free-air temperature range | -55 to 125 | | 0 to 70 | | °C |
| Storage temperature range | -65 to 150 | | -65 to 150 | | °C |

NOTE 1: Voltage values are with respect to network ground terminal.

PRODUCTION DATA information is current as of publication date. Products conform to specifications per the terms of Texas Instruments standard warranty. Production processing does not necessarily include testing of all parameters.

 **TEXAS
INSTRUMENTS**

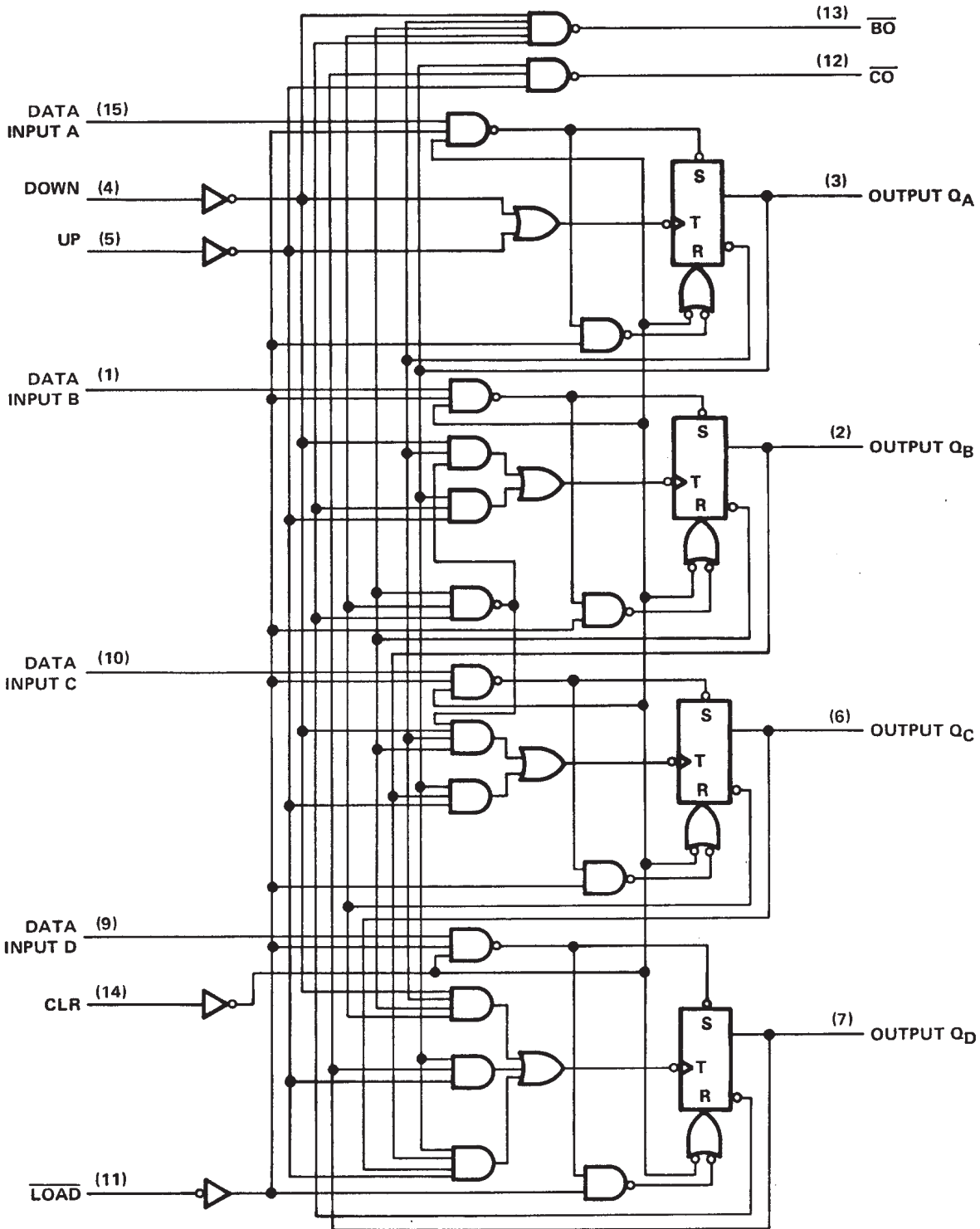
POST OFFICE BOX 655303 • DALLAS, TEXAS 75265

Copyright © 1988, Texas Instruments Incorporated

SN54192, SN54LS192, SN74192, SN74LS192
 SYNCHRONOUS 4-BIT UP/DOWN COUNTERS (DUAL CLOCK WITH CLEAR)

SDLS074 – DECMEBER 1972 – REVISED MARCH 1988

logic diagram (positive logic)



Pin numbers shown are for D, J, N, and W packages.



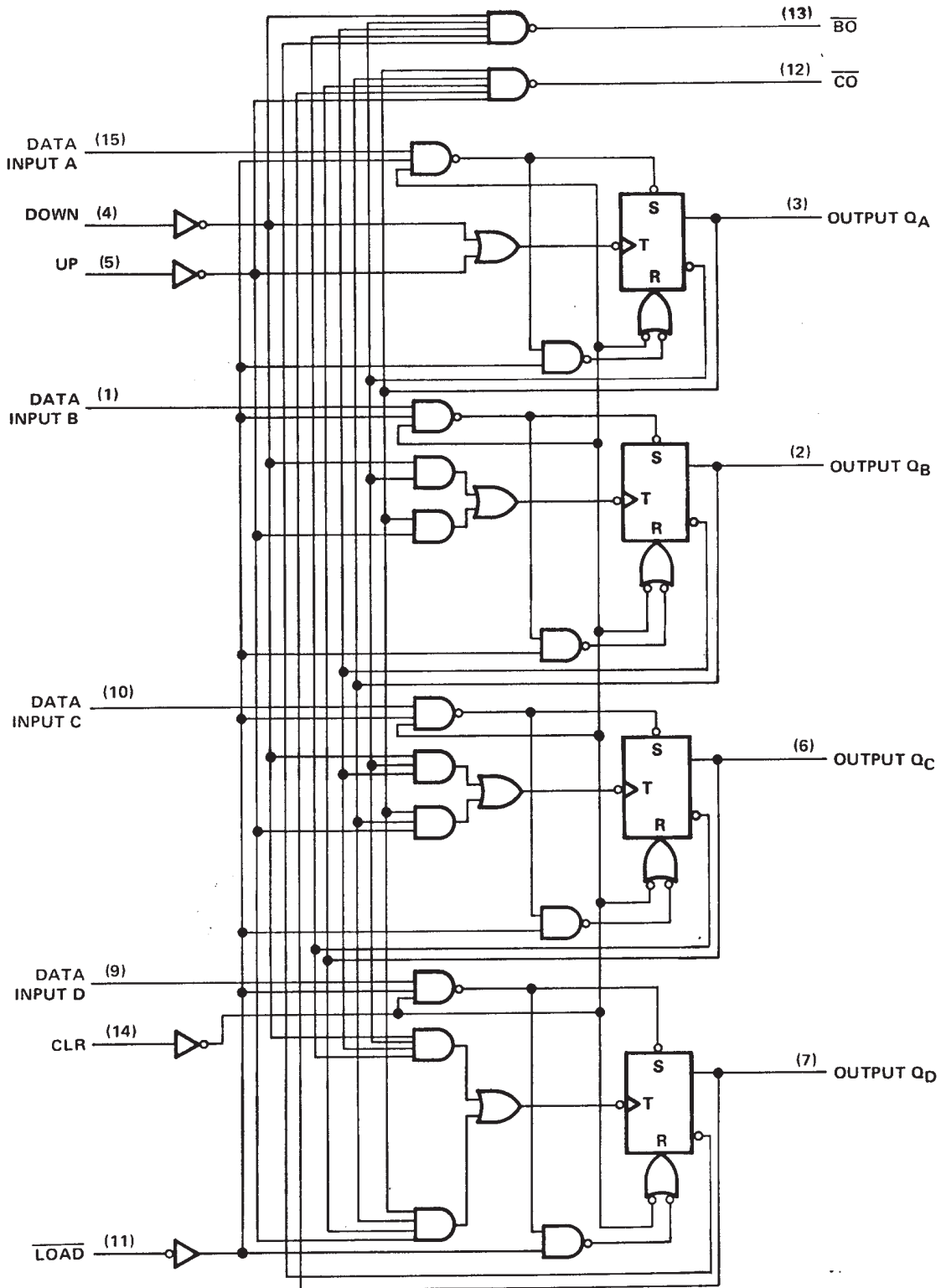
POST OFFICE BOX 655303 • DALLAS, TEXAS 75265

SN54193, SN54LS193, SN74193, SN74LS193

SYNCHRONOUS 4-BIT UP/DOWN COUNTERS (DUAL CLOCK WITH CLEAR)

SDLS074 - DECEMBER 1972 - REVISED MARCH 1988

logic diagram (positive logic)



Pin numbers shown are for D, J, N, and W packages.

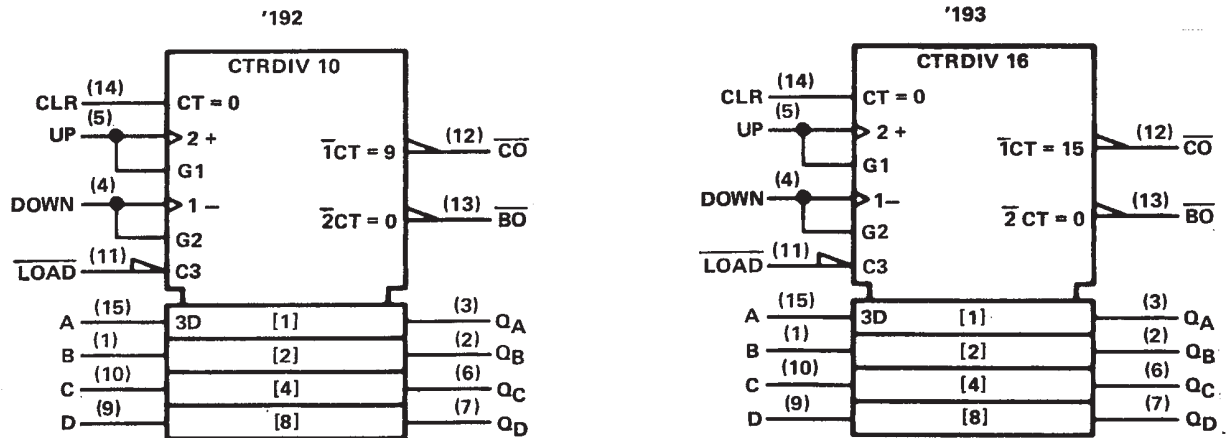


POST OFFICE BOX 655303 • DALLAS, TEXAS 75265

SN54192, SN54193, SN54LS192, SN54LS193,
 SN74192, SN74193, SN74LS192, SN74LS193
SYNCHRONOUS 4-BIT UP/DOWN COUNTERS (DUAL CLOCK WITH CLEAR)

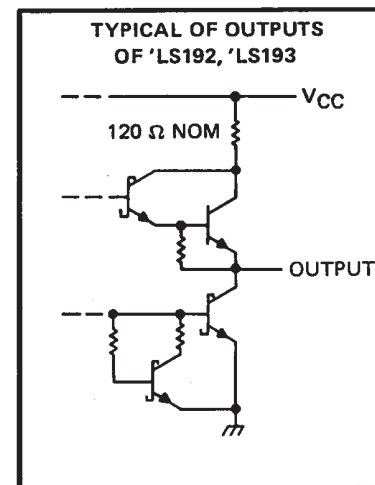
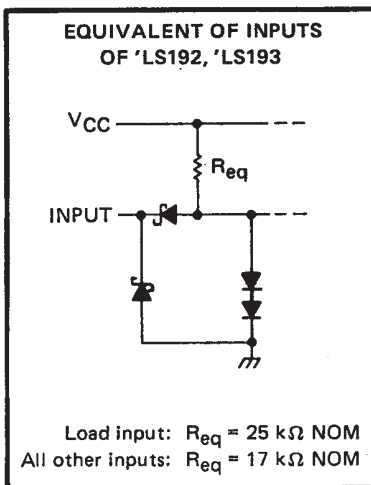
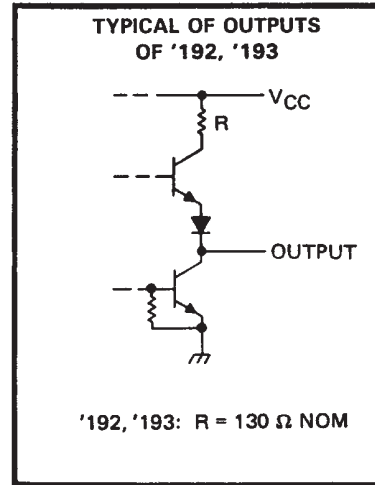
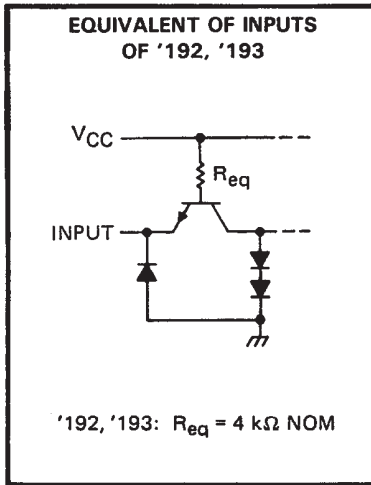
SDLS074 - DECEMBER 1972 - REVISED MARCH 1988

logic symbols†



†These symbols are in accordance with ANSI/IEEE Std. 91-1984 and IEC Publication 617-12.
 Pin numbers shown are for D, J, N, and W packages.

schematics of inputs and outputs



SN54192, SN54LS192, SN74192, SN74LS192 SYNCHRONOUS 4-BIT UP/DOWN COUNTERS (DUAL CLOCK WITH CLEAR)

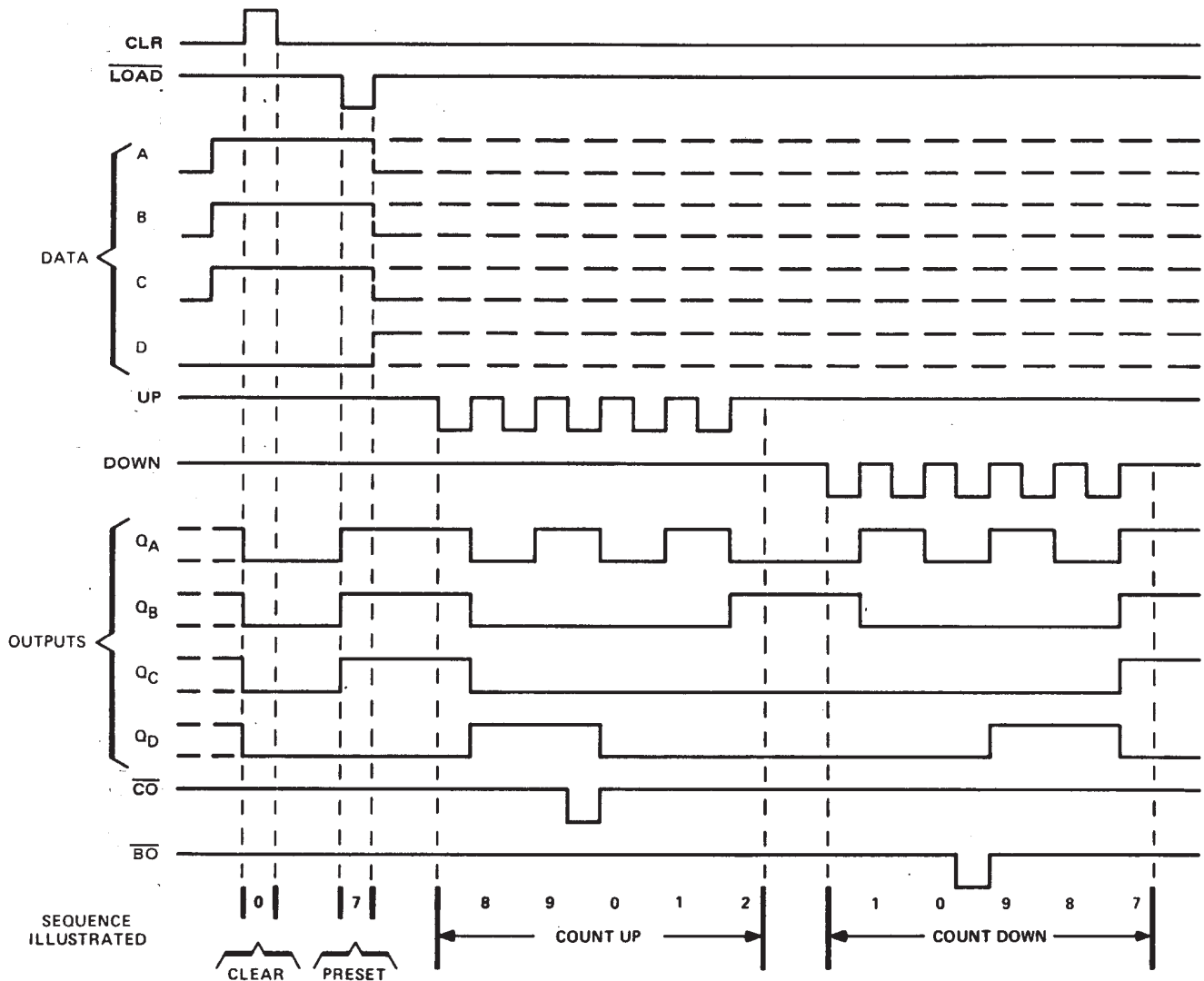
SDLS074 – DECEMBER 1972 – REVISED MARCH 1988

'192, 'LS192 DECADE COUNTERS

typical clear, load, and count sequences

Illustrated below is the following sequence:

1. Clear outputs to zero.
2. Load (preset) to BCD seven.
3. Count up to eight, nine, carry, zero, one, and two.
4. Count down to one, zero, borrow, nine, eight, and seven.



NOTES: A. Clear overrides load, data, and count inputs.

B. When counting up, count-down input must be high; when counting down, count-up input must be high.

SN54193, SN54LS193, SN74193, SN74LS193 SYNCHRONOUS 4-BIT UP/DOWN COUNTERS (DUAL CLOCK WITH CLEAR)

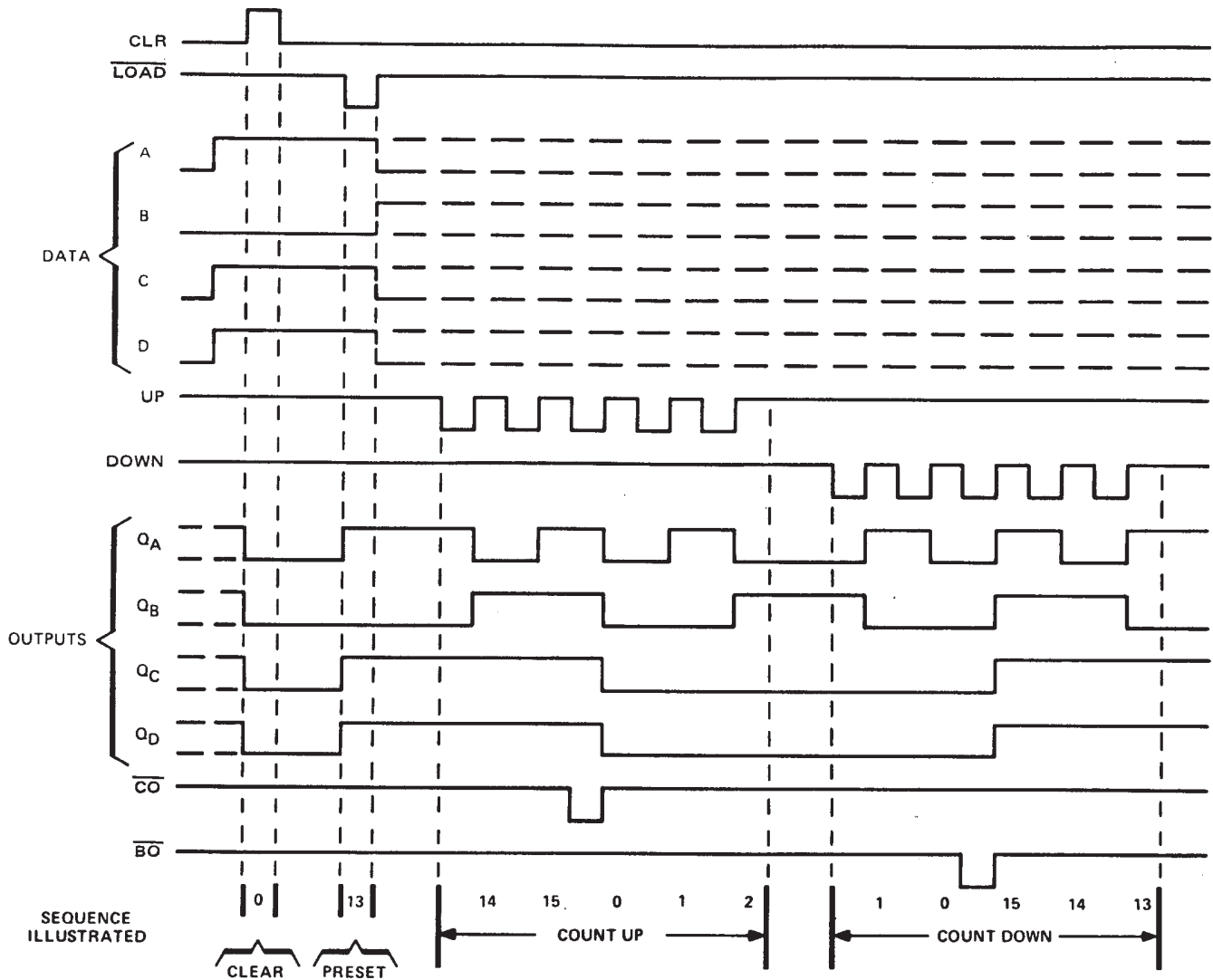
SDLS074 – DECMEBER 1972 – REVISED MARCH 1988

'193, 'LS193 BINARY COUNTERS

typical clear, load, and count sequences

Illustrated below is the following sequence:

1. Clear outputs to zero.
2. Load (preset) to binary thirteen.
3. Count up to fourteen, fifteen, carry, zero, one, and two.
4. Count down to one, zero, borrow, fifteen, fourteen, and thirteen.



NOTES: A. Clear overrides load, data, and count inputs.

B. When counting up, count-down input must be high; when counting down, count-up input must be high.



POST OFFICE BOX 655303 • DALLAS, TEXAS 75265

SN54192, SN54193, SN74192, SN74193 SYNCHRONOUS 4-BIT UP/DOWN COUNTERS (DUAL CLOCK WITH CLEAR)

SDLS074 – DECEMBER 1972 – REVISED MARCH 1988

recommended operating conditions

| | | SN54192 SN54193 | | | SN74192 SN74193 | | | UNIT |
|--------------------|---------------------------------|--------------------|-----|------|--------------------|-----|------|------|
| | | MIN | NOM | MAX | MIN | NOM | MAX | |
| V _{CC} | Supply voltage | 4.5 | 5 | 5.5 | 4.75 | 5 | 5.25 | V |
| I _{OH} | High-level output current | | | -0.4 | | | -0.4 | mA |
| I _{OL} | Low-level output current | | | 16 | | | 16 | mA |
| f _{clock} | Clock frequency | 0 | | 25 | 0 | | 25 | MHz |
| t _w | Width of any input pulse | 20 | | | 20 | | | ns |
| t _{su} | Data setup time, (see Figure 1) | 20 | | | 20 | | | ns |
| t _h | Hold time | Data, high or low | | | 0 | | | ns |
| | | LOAD | | | 3 | | | |
| T _A | Operating free-air temperature | -55 | | 125 | 0 | | 70 | °C |

electrical characteristics over recommended operating free-air temperature range (unless otherwise noted)

| PARAMETER | TEST CONDITIONS† | SN54192 SN54193 | | | SN74192 SN74193 | | | UNIT | | | |
|-----------------|--|---|------|-----|--------------------|------|------|------|-----|------|----|
| | | MIN | TYP‡ | MAX | MIN | TYP‡ | MAX | | | | |
| V _{IH} | High-level input voltage | 2 | | | 2 | | | V | | | |
| V _{IL} | Low-level input voltage | | | 0.8 | | | 0.8 | V | | | |
| V _{IK} | Input clamp voltage | V _{CC} = MIN, I _I = -12 mA | | | -1.5 | | | V | | | |
| V _{OH} | High-level output voltage | V _{CC} = MIN, V _{IH} = 2 V, V _{IL} = 0.8 V, I _{OH} = -0.4 mA | | | 2.4 | 3.4 | | 2.4 | 3.4 | V | |
| V _{OL} | Low-level output voltage | V _{CC} = MIN, V _{IH} = 2 V, V _{IL} = 0.8 V, I _{OL} = 16 mA | | | | 0.2 | 0.4 | | 0.2 | 0.4 | V |
| I _I | Input current at maximum input voltage | V _{CC} = MAX, V _I = 5.5 V | | | | | 1 | | | 1 | mA |
| I _{IH} | High-level input current | V _{CC} = MAX, V _I = 2.4 V | | | | | 40 | | | 40 | μA |
| I _{IL} | Low-level input current | V _{CC} = MAX, V _I = 0.4 V | | | | | -1.6 | | | -1.6 | mA |
| I _{OS} | Short-circuit output current§ | V _{CC} = MAX | | | -20 | | -65 | -18 | | -65 | mA |
| I _{CC} | Supply current | V _{CC} = MAX, See Note 2 | | | | 65 | 89 | | 65 | 102 | mA |

† For conditions shown as MIN or MAX, use the appropriate value specified under recommended operating conditions for the applicable type.

‡ All typical values are at V_{CC} = 5 V, T_A = 25°C.

§ Not more than one output should be shorted at a time.

NOTE 2: I_{CC} is measured with all outputs open, clear and load inputs grounded, and all other inputs at 4.5 V.

switching characteristics, V_{CC} = 5 V, T_A = 25°C

| PARAMETER¶ | FROM INPUT | TO OUTPUT | TEST CONDITIONS | MIN | TYP | MAX | UNIT |
|------------------|-------------------|-----------------|---|-----|-----|-----|------|
| f _{max} | | | C _L = 15 pF, R _L = 400 Ω, See Figures 1 and 2 | 25 | 32 | | MHz |
| t _{PLH} | UP | \overline{CO} | | | 17 | 26 | ns |
| t _{PHL} | | | | | 16 | 24 | |
| t _{PLH} | DOWN | \overline{BO} | | | 16 | 24 | ns |
| t _{PHL} | | | | | 16 | 24 | |
| t _{PLH} | UP OR DOWN | Q | | | 25 | 38 | ns |
| t _{PHL} | | | | | 31 | 47 | |
| t _{PLH} | \overline{LOAD} | Q | | | 27 | 40 | ns |
| t _{PHL} | | | | | 29 | 40 | |
| t _{PHL} | CLR | Q | | | 22 | 35 | ns |

¶ f_{max} ≡ maximum clock frequency

t_{PLH} ≡ propagation delay time, low-to-high-level output

t_{PHL} ≡ propagation delay time, high-to-low-level output



SN54LS192, SN54LS193, SN74LS192, SN74LS193 SYNCHRONOUS 4-BIT UP/DOWN COUNTERS (DUAL CLOCK WITH CLEAR)

SDLS074 – DECMEBER 1972 – REVISED MARCH 1988

recommended operating conditions

| | | SN54LS192 SN54LS193 | | | SN74LS192 SN74LS193 | | | UNIT |
|--------------------|--------------------------------------|------------------------|-----|------|------------------------|-----|------|------|
| | | MIN | NOM | MAX | MIN | NOM | MAX | |
| V _{CC} | Supply voltage | 4.5 | 5 | 5.5 | 4.75 | 5 | 5.25 | V |
| I _{OH} | High-level output current | | | -400 | | | -400 | μA |
| I _{OL} | Low-level output current | | | 4 | | | 8 | mA |
| f _{clock} | Clock frequency | 0 | | 25 | 0 | | 25 | MHz |
| t _w | Width of any input pulse | 20 | | | 20 | | | ns |
| t _{su} | Clear inactive-state setup time | 15 | | | 15 | | | ns |
| | Load inactive-state setup time | 15 | | | 15 | | | ns |
| | Data setup time (see Figure 1) | 20 | | | 20 | | | ns |
| t _h | Data hold time | 5 | | | 5 | | | ns |
| T _A | Operating free-air temperature range | -55 | | 125 | 0 | | 70 | °C |

electrical characteristics over recommended operating free-air temperature range (unless otherwise noted)

| PARAMETER | TEST CONDITIONS† | SN54LS192 SN54LS193 | | | SN74LS192 SN74LS193 | | | UNIT | |
|-----------------|--|--|------|------------------------|------------------------|------|------|------|---|
| | | MIN | TYP‡ | MAX | MIN | TYP‡ | MAX | | |
| V _{IH} | High-level input voltage | 2 | | | 2 | | | V | |
| V _{IL} | Low-level input voltage | | | 0.7 | | | 0.8 | V | |
| V _{IK} | Input clamp voltage | V _{CC} = MIN, I _I = -18 mA | | -1.5 | -1.5 | | V | | |
| V _{OH} | High-level output voltage | V _{CC} = MIN, V _{IH} = 2 V, V _{IL} = V _{IL} max, I _{OH} = -400 μA | | 2.5 | 3.4 | | 2.7 | 3.4 | V |
| V _{OL} | Low-level output voltage | V _{CC} = MIN, V _{IH} = 2 V, V _{IL} = V _{IL} max | | I _{OL} = 4 mA | 0.25 | 0.4 | 0.15 | 0.4 | V |
| | | I _{OL} = 8 mA | | | 0.35 | 0.5 | | | |
| I _I | Input current at maximum input voltage | V _{CC} = MAX, V _I = 7 V | | 0.1 | | 0.1 | | mA | |
| I _{IH} | High-level input current | V _{CC} = MAX, V _I = 2.7 V | | 20 | | 20 | | μA | |
| I _{IL} | Low-level input current | V _{CC} = MAX, V _I = 0.4 V | | -0.4 | | -0.4 | | mA | |
| I _{OS} | Short-circuit output current§ | V _{CC} = MAX | | -20 | -100 | -20 | -100 | mA | |
| I _{CC} | Supply current | V _{CC} = MAX, See Note 2 | | 19 | 34 | 19 | 34 | mA | |

† For conditions shown as MIN or MAX, use the appropriate value specified under recommended operating conditions for the applicable type.

‡ All typical values are at V_{CC} = 5 V, T_A = 25°C.

§ Not more than one output should be shorted at a time, and duration of the short-circuit should not exceed one second.

NOTE 2: I_{CC} is measured with all outputs open, clear and load inputs grounded, and all other inputs at 4.5 V.

switching characteristics, V_{CC} = 5 V, T_A = 25°C

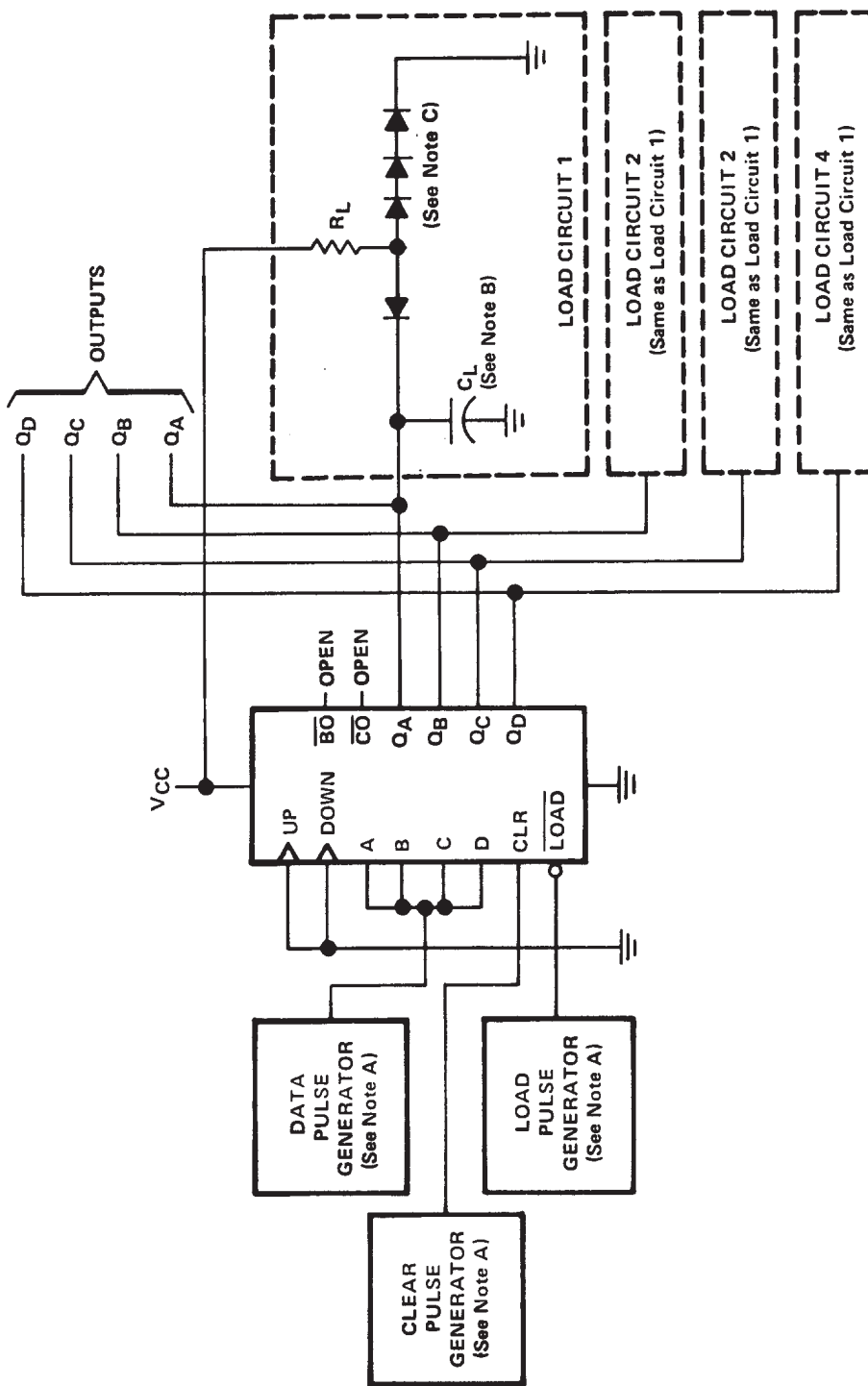
| PARAMETER | FROM INPUT | TO OUTPUT | TEST CONDITIONS | MIN | TYP | MAX | UNIT |
|------------------|-------------------|-----------------|--|-----|-----|-----|------|
| f _{max} | | | C _L = 15 pF, R _L = 2 kΩ, See Figures 1 and 2 | 25 | 32 | | MHz |
| t _{PLH} | UP | \overline{CO} | | | 17 | 26 | ns |
| t _{PHL} | | | | | 18 | 24 | |
| t _{PLH} | DOWN | \overline{BO} | | | 16 | 24 | ns |
| t _{PHL} | | | | | 15 | 24 | |
| t _{PLH} | UP OR DOWN | Q | | | 27 | 38 | ns |
| t _{PHL} | | | | | 30 | 47 | |
| t _{PLH} | \overline{LOAD} | Q | | | 24 | 40 | ns |
| t _{PHL} | | | | | 25 | 40 | |
| t _{PHL} | CLR | Q | | | 23 | 35 | ns |



SN54192, SN54193, SN54LS192, SN54LS193,
SN74192, SN74193, SN74LS192, SN74LS193
SYNCHRONOUS 4-BIT UP/DOWN COUNTERS (DUAL CLOCK WITH CLEAR)

SDLS074 - DECEMBER 1972 - REVISED MARCH 1988

PARAMETER MEASUREMENT INFORMATION



TEST CIRCUIT

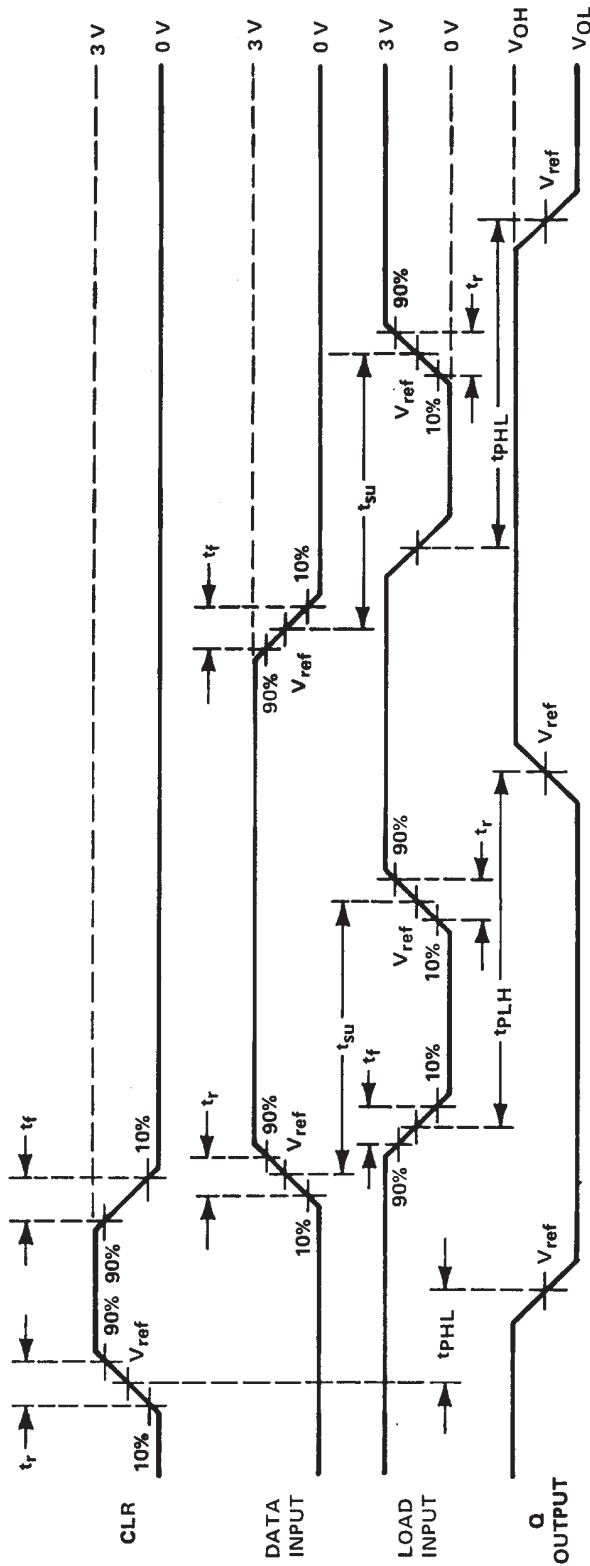
- NOTES: A. The pulse generators have the following characteristics: $Z_{out} \approx 50 \Omega$ and for the data pulse generator $PRR \leq 500 \text{ kHz}$, duty cycle = 50%; for the load pulse generator PRR is two times data PRR , duty cycle = 50%.
- B. C_L includes probe and jig capacitance.
- C. Diodes are 1N3064 or equivalent.
- D. t_r and $t_f \leq 7 \text{ ns}$.
- E. V_{ref} is 1.5 V for '192 and '193, 1.3 V for 'LS192 and 'LS193.

FIGURE 1A - CLEAR, SETUP AND LOAD TIMES

SN54192, SN54193, SN54LS192, SN54LS193,
 SN74192, SN74193, SN74LS192, SN74LS193
SYNCHRONOUS 4-BIT UP/DOWN COUNTERS (DUAL CLOCK WITH CLEAR)

SDLS074 - DECEMBER 1972 - REVISED MARCH 1988

PARAMETER MEASUREMENT INFORMATION



VOLTAGE WAVEFORMS

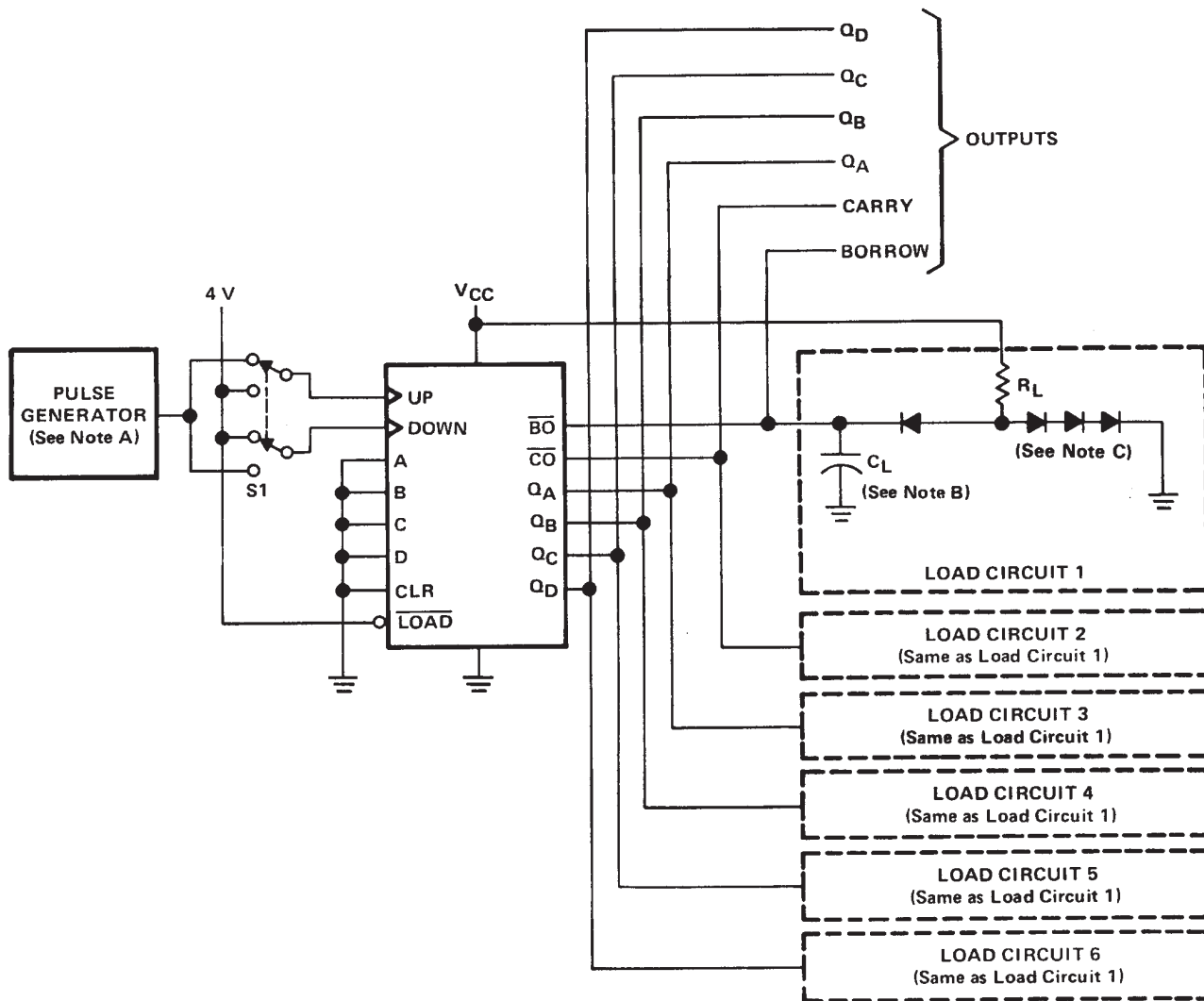
- NOTES: A. The pulse generators have the following characteristics: $Z_{out} \approx 50 \Omega$ and for the data pulse generator PRR ≤ 500 kHz, duty cycle = 50%; for the load pulse generator PRR is two times data PRR, duty cycle = 50%.
- B. C_L includes probe and jig capacitance.
- C. Diodes are 1N3064 or equivalent.
- D. t_r and $t_f \leq 7$ ns.
- E. V_{ref} is 1.5 V for '192 and '193, 1.3 V for 'LS192 and 'LS193.

FIGURE 1B - CLEAR, SETUP, AND LOAD TIMES

SN54192, SN54193, SN54LS192, SN54LS193,
SN74192, SN74193, SN74LS192, SN74LS193
SYNCHRONOUS 4-BIT UP/DOWN COUNTERS (DUAL CLOCK WITH CLEAR)

SDLS074 – DECEMBER 1972 – REVISED MARCH 1988

PARAMETER MEASUREMENT INFORMATION



TEST CIRCUIT

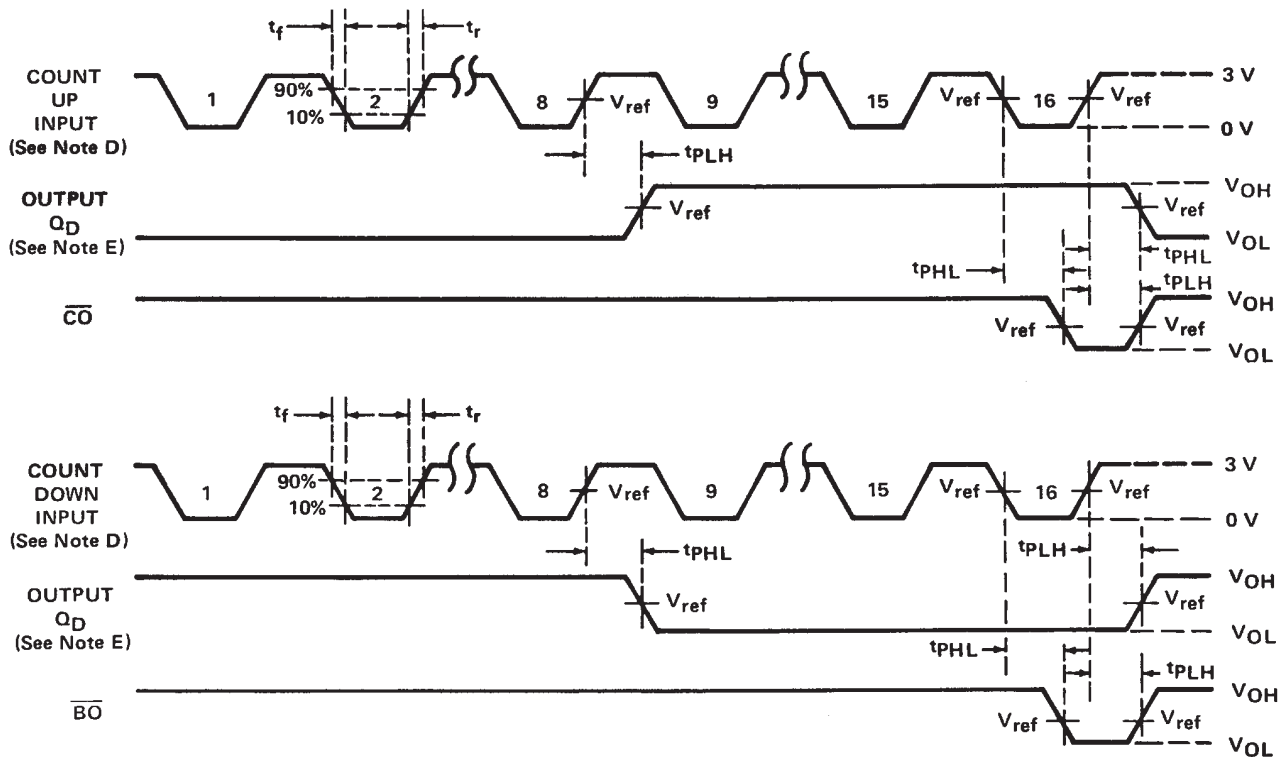
- NOTES:**
- A. The pulse generators have the following characteristics: PRR \approx 1 MHz, $Z_{out} \approx$ 50 Ω , duty cycle = 50%.
 - B. C_L includes probe and jig capacitance.
 - C. Diodes are 1N3064 or equivalent.
 - D. Count-up and count-down pulse shown are for the '193 and 'LS193 binary counters. Count cycle for '192 and 'LS192 decade counters is 1 through 10.
 - E. Waveforms for outputs Q_A , Q_B , and Q_C are omitted to simplify the drawing.
 - F. t_r and $t_f \leq$ 7 ns.
 - G. V_{ref} is 1.5 V for '192 and '193, 1.3 V for 'LS192 and 'LS193.

FIGURE 2A – PROPAGATION DELAY TIMES

SN54192, SN54193, SN54LS192, SN54LS193,
 SN74192, SN74193, SN74LS192, SN74LS193
 SYNCHRONOUS 4-BIT UP/DOWN COUNTERS (DUAL CLOCK WITH CLEAR)

SDLS074 – DECMEBER 1972 – REVISED MARCH 1988

PARAMETER MEASUREMENT INFORMATION



VOLTAGE WAVEFORMS

- NOTES: A. The pulse generators have the following characteristics: PRR \approx 1 MHz, $Z_{out} \approx$ 50 Ω , duty cycle = 50%.
 B. C_L includes probe and jig capacitance.
 C. Diodes are 1N3064 or equivalent.
 D. Count-up and count-down pulse shown are for the '193 and 'LS193 binary counters. Count cycle for '192 and 'LS192 decade counters is 1 through 10.
 E. Waveforms for outputs Q_A , Q_B , and Q_C are omitted to simplify the drawing.
 F. t_r and $t_f \leq$ 7 ns.
 G. V_{ref} is 1.5 V for '192 and '193, 1.3 V for 'LS192 and 'LS193.

FIGURE 2B – PROPAGATION DELAY TIMES

IMPORTANT NOTICE

Texas Instruments and its subsidiaries (TI) reserve the right to make changes to their products or to discontinue any product or service without notice, and advise customers to obtain the latest version of relevant information to verify, before placing orders, that information being relied on is current and complete. All products are sold subject to the terms and conditions of sale supplied at the time of order acknowledgement, including those pertaining to warranty, patent infringement, and limitation of liability.

TI warrants performance of its semiconductor products to the specifications applicable at the time of sale in accordance with TI's standard warranty. Testing and other quality control techniques are utilized to the extent TI deems necessary to support this warranty. Specific testing of all parameters of each device is not necessarily performed, except those mandated by government requirements.

CERTAIN APPLICATIONS USING SEMICONDUCTOR PRODUCTS MAY INVOLVE POTENTIAL RISKS OF DEATH, PERSONAL INJURY, OR SEVERE PROPERTY OR ENVIRONMENTAL DAMAGE ("CRITICAL APPLICATIONS"). TI SEMICONDUCTOR PRODUCTS ARE NOT DESIGNED, AUTHORIZED, OR WARRANTED TO BE SUITABLE FOR USE IN LIFE-SUPPORT DEVICES OR SYSTEMS OR OTHER CRITICAL APPLICATIONS. INCLUSION OF TI PRODUCTS IN SUCH APPLICATIONS IS UNDERSTOOD TO BE FULLY AT THE CUSTOMER'S RISK.

In order to minimize risks associated with the customer's applications, adequate design and operating safeguards must be provided by the customer to minimize inherent or procedural hazards.

TI assumes no liability for applications assistance or customer product design. TI does not warrant or represent that any license, either express or implied, is granted under any patent right, copyright, mask work right, or other intellectual property right of TI covering or relating to any combination, machine, or process in which such semiconductor products or services might be or are used. TI's publication of information regarding any third party's products or services does not constitute TI's approval, warranty or endorsement thereof.

This datasheet has been downloaded from:

www.DatasheetCatalog.com

Datasheets for electronic components.