

Integrated Trigger, Sensor and remote control circuits

SAS 660 · SAS 670

Electronic touch plate (touch driven double contact four-channel-switch) for program selection of radio and television receivers, lift controls, test equipments etc.

| | | | | |
|---|-------|-----------|-----------|----|
| Tuning voltage | Pin 7 | U_{SA} | 29 ... 37 | V |
| Indicator voltage | Pin 8 | U_{SL} | 11 ... 15 | V |
| Indicator current of one output $U_{SL} = 13,5$ V | Pin 8 | I_{SL} | 55 | mA |
| Switching sensitivity for sensor "ON" $U_{SA} = 33$ V, $U_{SL} = 13,5$ V, $R_p = 3,9$ M $\Omega \pm 10\%$ | | I_{ITA} | 25 | nA |

Features:

- High input sensitivity
- High noise immunity
- Low saturation voltage and temperature drift of switching transistors
- The indicating outputs (e.g. lamps) provide high load current
- Minimum of external components

SAS 6600 · SAS 6700

Electronic touch plate as SAS 660/SAS 670, but with reduced sensitivity

All datas, block diagram, test circuit and case etc. are corresponding to SAS 660/SAS 670, out cludes:

| | | | | |
|---|-------|-----------|------------|----|
| Tuning voltage | Pin 7 | U_{SA} | 17 ... 36 | V |
| Indicator voltage | Pin 8 | U_{SL} | 10 ... 25 | V |
| Indicator current of one output $U_{SL} = 13,5$ V | Pin 8 | I_{SL} | 55 | mA |
| Switching sensitivity for sensor "ON" $U_{SA} = 33$ V, $U_{SL} = 13,5$ V, $R_p = 3,9$ M $\Omega \pm 10\%$ | | I_{ITA} | 20 ... 250 | nA |

Additional special features:

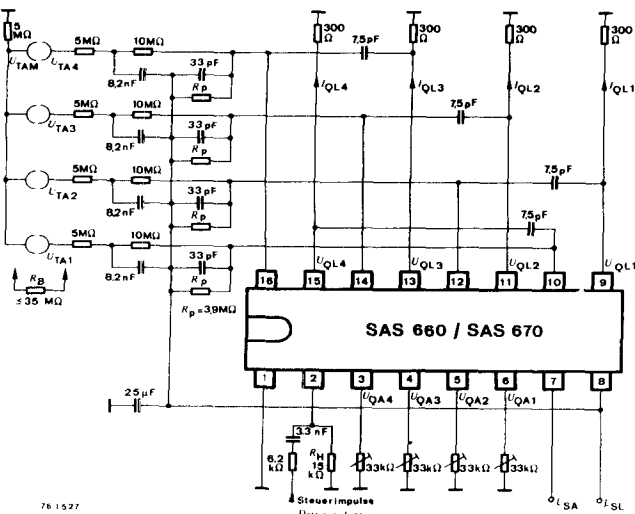
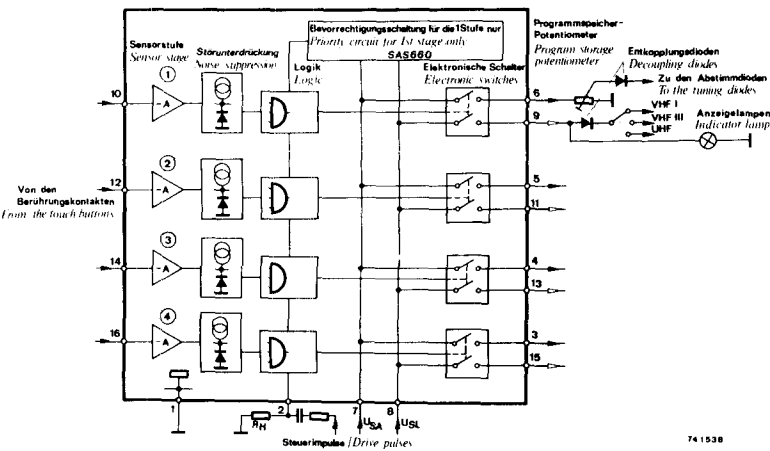
- The selected programs is maintained by switching-off the voltage U_{SL} (pin 8) when $U_{SA} = 17 ... 36$ V.

SAS 6610 · SAS 6710

Electronic touch plate as SAS 6600/SAS 6700

Additional special features:

- Sensor inputs with protecting diodes
Provides for equipments with bridge-connected rectifier without mains decoupling.



Case:

SAS 660/SAS 670 and SAS 660 S/SAS 670 S

20 A 16 DIN 41 866

JEDEC MO 001 AC

or QIP 16-lead

Dimensions see page 60

Number 7 or 8