

■Features

- Highest Luminous Flux
- Super energy efficiency
- Long Lifetime Operation
- Superior UV Resistance

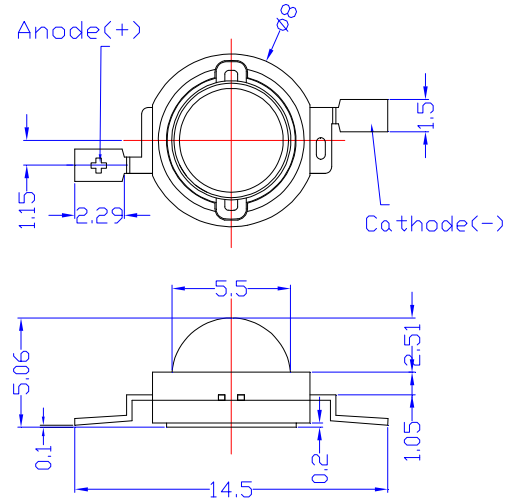
■Caution

- Avoid Reflow Soldering Process

■Applications

- Read lights (car, bus, aircraft)
- Portable (flashlight, bicycle)
- Bollards / Security / Garden
- Traffic signaling / Beacons
- In door / Out door Commercial lights
- Automotive Ext

■Outline Dimension



Unit:mm
Tolerances are for reference only

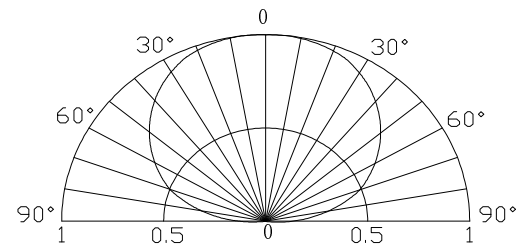
■Absolute Maximum Rating

(Ta=25°C)

| Item | Symbol | Value | Unit |
|----------------------------|------------------|------------|------|
| DC Forward Current | I _F | 800 | mA |
| Pulse Forward Current* | I _{FP} | 1000 | mA |
| Reverse Voltage | V _R | 5 | V |
| Power Dissipation | P _D | 2400 | mW |
| Operating Temperature | T _{opr} | -30 ~ +85 | °C |
| Storage Temperature | T _{stg} | -40~ +100 | °C |
| Lead Soldering Temperature | T _{sol} | 260°C/5sec | - |

*Pulse width Max.10ms Duty ratio max 1/10

■Directivity

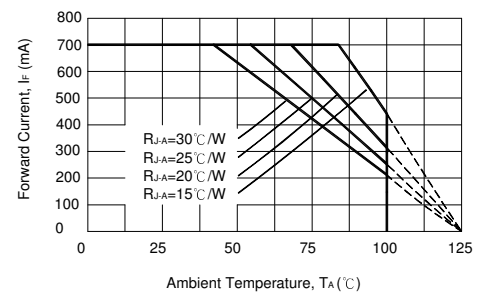


■Electrical -Optical Characteristics

(Ta=25°C)

| Item | Symbol | Condition | Min. | Typ. | Max. | Unit |
|--------------------|-------------------|-----------------------|------|------|------|------|
| DC Forward Voltage | V _F | I _F =350mA | 2.0 | 2.3 | 3.0 | V |
| | | I _F =700mA | 2.5 | 2.8 | 3.5 | V |
| DC Reverse Current | I _R | V _R =5V | - | - | 10 | μA |
| Domi. Wavelength | λ _D | I _F =700mA | 620 | 625 | 630 | nm |
| Luminous Flux | Φ _v | I _F =700mA | 70 | 80 | - | lm |
| 50% Power Angle | 2θ _{1/2} | I _F =700mA | - | 140 | - | deg |

■Forward Operating Current (DC)



Note: Don't drive at rated current more than 5s without heat sink for Xeon 3 emitter series.