

31150-MP

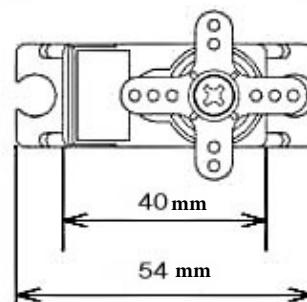
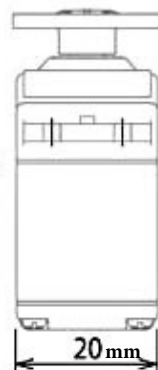
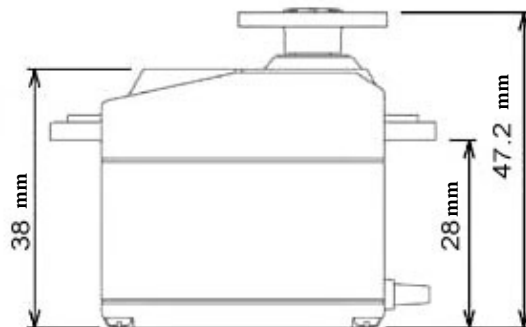
MG995 High Speed Servo Actuator

The unit comes complete with color coded 30cm wire leads with a 3 X 1 pin 0.1" Pitch type female header connector that matches most receivers, including Futaba, JR, GWS, Cirrus, Blue Bird, Blue Arrow, Corona, Berg, Spektrum and Hitec.

This high-speed servo actuator is not code dependant; You can use any servo code, hardware or library to control them. The MG995 Actuator includes arms and hardware to get started.


Specifications

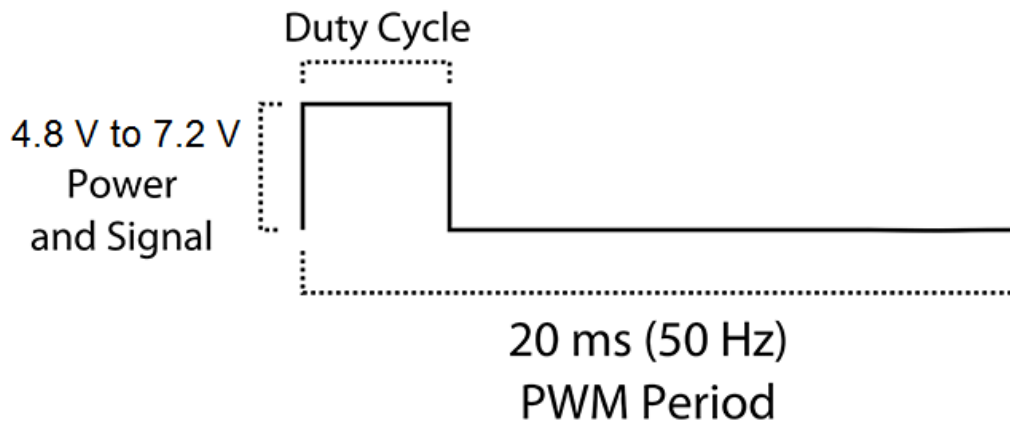
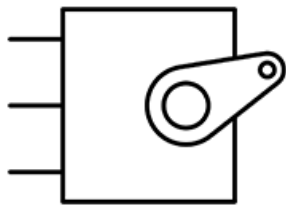
- Weight: 55 g
- Dimension: 40.7 x 19.7 x 42.9 mm approx.
- Stall torque: 8.5 kgf·cm (4.8 V), 10 kgf·cm (6 V)
- Rotation Angle: 120deg. (+- 60 from center)
- Operating speed: 0.2 s/60° (4.8 V), 0.16 s/60° (6 V)
- Operating voltage: 4.8 V to 7.2 V
- Dead band width: 5 μ s
- Stable and shock proof double ball bearing design
- Metal Gears for longer life
- Temperature range: 0 °C – 55 °C



31150-MP

MG995 High Speed Servo Actuator

PWM=Orange ()
Vcc = Red (+)
Ground=Brown (-)



Information obtained from or supplied by mpja.com or Marlin P. Jones and Associates inc. is supplied as a service to our customers and accuracy is not guaranteed nor is it definitive of any particular part or manufacturer. Use of information and suitability for any application is at users own discretion and user assumes all risk.



MARLIN P. JONES & ASSOC., INC.

P.O. Box 530400 Lake Park, FL 33403
800-652-6733 FAX 561-844-8764
WWW.MPJA.COM