



LM123/LM223 LM323

THREE-TERMINAL 3A-5V POSITIVE VOLTAGE REGULATORS

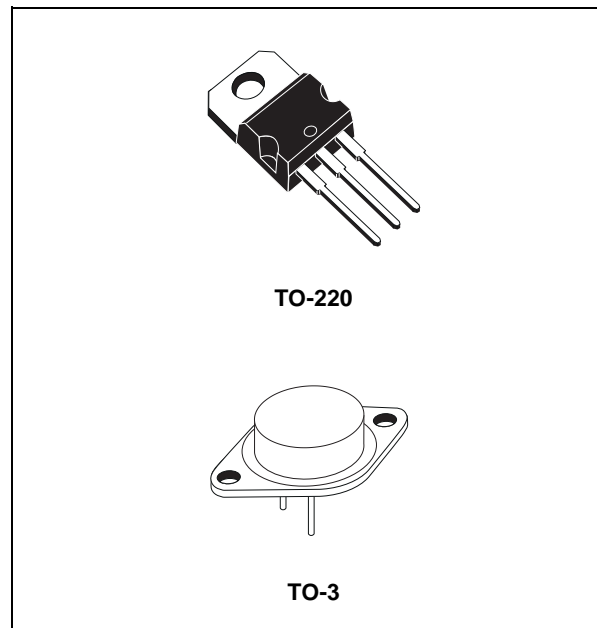
- OUTPUT CURRENT: 3A
- INTERNAL CURRENT AND THERMAL LIMITING
- TYPICAL OUTPUT IMPEDANCE: 0.01Ω
- MINIMUM INPUT VOLTAGE: 7.5V
- POWER DISSIPATION: 30W

DESCRIPTION

The LM123, LM223, LM323 are three-terminal positive voltage regulators with a preset 5V output and a load driving capability of 3A. New circuit design and processing techniques are used to provide the high output current without sacrificing the regulation characteristics of lower current devices.

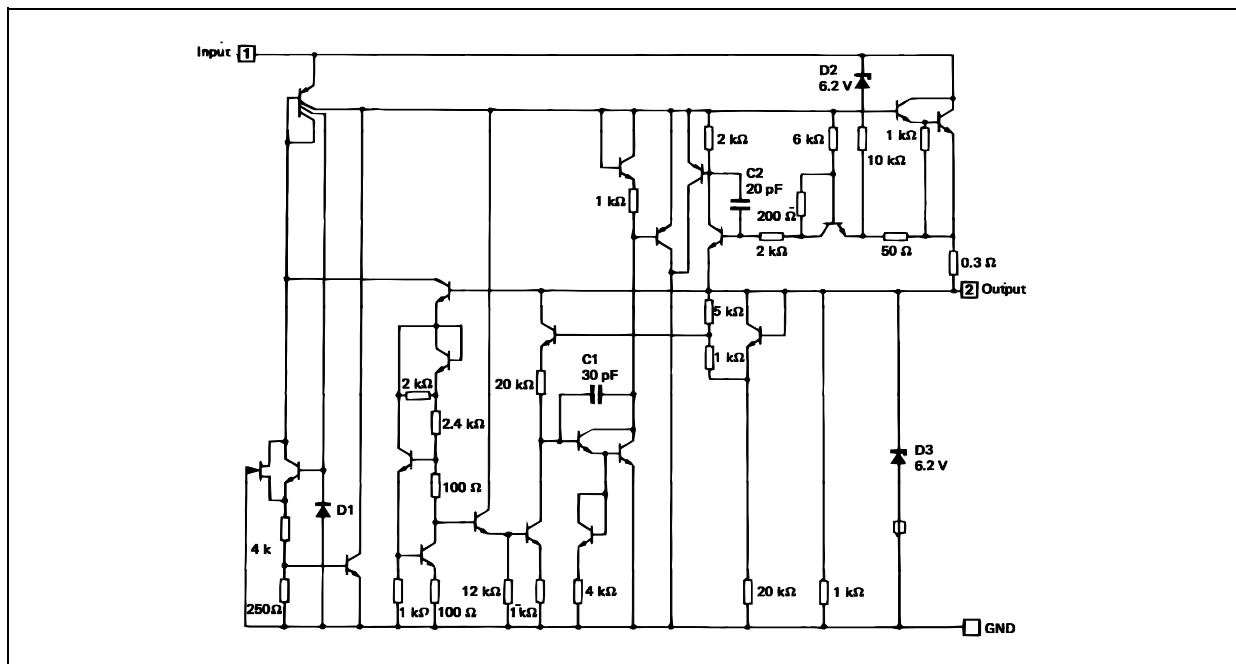
The 3A regulator is virtually blowout proof.

Current limiting, power limiting and thermal shut-down provide the same high level of reliability obtained with these techniques in the LM209, 1A regulator. An overall worst case specification for the combined effects of input voltage, load current, ambient temperature, and power



dissipation ensure that the LM123, LM223, LM323 will perform satisfactorily as a system element.

SCHEMATIC DIAGRAM



LM123-LM223-LM323

ABSOLUTE MAXIMUM RATINGS

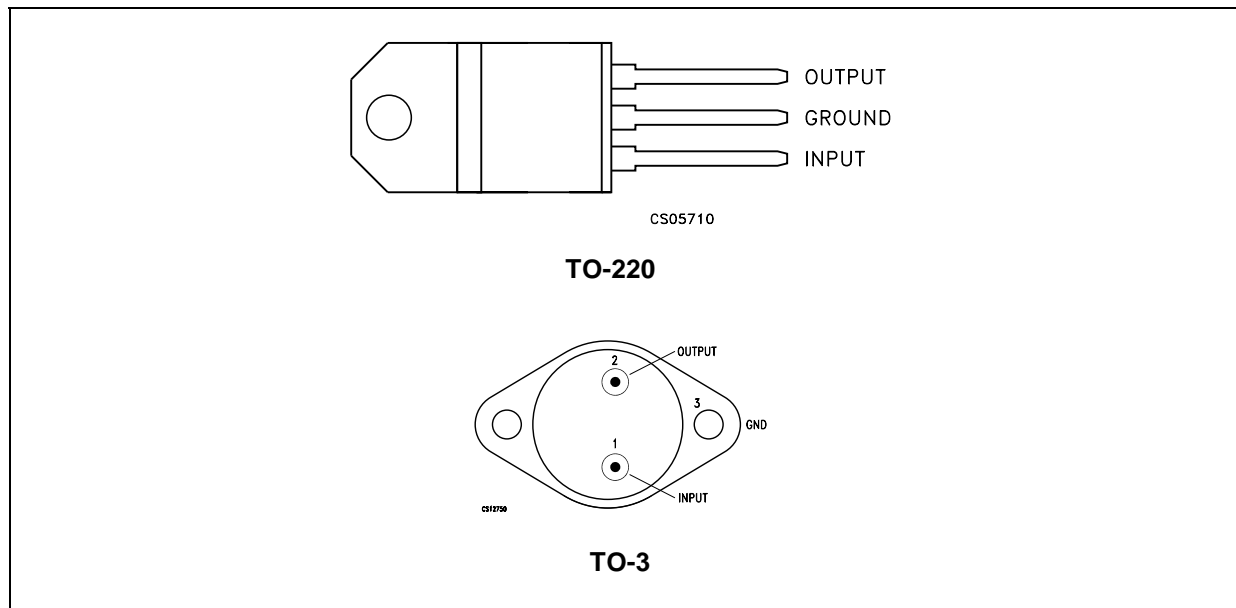
Symbol	Parameter ²	Value	Unit
V_I	Input Voltage	20	V
I_O	Output Current	Internally Limited	
P_{tot}	Power Dissipation	Internally Limited	
T_{stg}	Storage Temperature Range	-65 to 150	°C
T_{oper}	Operating Junction Temperature Range	LM123	-55 to 150
		LM223	-25 to 125
		LM323	0 to 125

Absolute Maximum Ratings are those values beyond which damage to the device may occur. Functional operation under these condition is not implied.

THERMAL DATA

Symbol	Parameter	TO-220	TO-3	Unit
$R_{thj-case}$	Thermal Resistance Junction-case Max	3	2	°C/W
$R_{thj-amb}$	Thermal Resistance Junction-ambient Max	50	35	°C/W

CONNECTION DIAGRAM (top view)



ORDERING CODES

TYPE	TO-220	TO-3	TEMPERATURE RANGE
LM123	LM123K		-55°C to 150°C
LM223	LM223K		-25°C to 150°C
LM323	LM323K	LM323T	0°C to 125°C

ELECTRICAL CHARACTERISTICS OF LM123/LM223 ($T_J = -55$ to 150°C for LM123, $T_J = -25$ to 150°C for LM223 unless otherwise specified).

Symbol	Parameter	Test Conditions	Min.	Typ.	Max.	Unit
V_O	Output Voltage Range (Note 2)	$T_a = 25^\circ\text{C}$, $V_I = 7.5\text{ V}$, $I_O = 0$	4.7	5	5.3	V
V_O	Output Voltage Range (Note 2)	$T_J = T_{\min}$ to T_{\max} $P \leq P_{\max}$ $V_I = 7.5$ to 15 V $I_O = 0$ to 3 A	4.6		5.4	V
K_{VI}	Line Regulation (Note 3)	$V_I = 7.5$ to 15 V $T_J = 25^\circ\text{C}$		5	25	mV
K_{VO}	Load Regulation (Note 3)	$I_O = 0$ to 3 A $V_I = 7.5\text{ V}$ $T_J = 25^\circ\text{C}$		25	100	mV
I_{IB}	Quiescent Current	$V_I = 7.5$ to 15 V $I_O = 0$ to 3 A		12	20	mA
V_{NO}	Output Noise Voltage	$T_a = 25^\circ\text{C}$ $f = 10\text{ Hz}$ to 100 KHz		40		μV_{rms}
I_{OS}	Short Circuit Current Limit	$V_I = 15\text{ V}$ $T_J = 25^\circ\text{C}$		3	4.5	A
		$V_I = 7.5\text{ V}$ $T_J = 25^\circ\text{C}$		4	5	
K_{VH}	Long Term Stability				35	mV

- Notes: 1. Although power dissipation is internally limited, specifications apply only for $P \leq 30\text{W}$.
 2. Selected devices with tightened tolerance output voltage available.
 3. Load and line regulation are specified at constant junction temperature. Pulse testing is required with a pulse width $\leq 1\text{ms}$ and duty cycle $\leq 5\%$.

ELECTRICAL CHARACTERISTICS OF LM323 ($T_J = 0$ to 150°C , unless otherwise specified).

Symbol	Parameter	Test Conditions	Min.	Typ.	Max.	Unit
V_O	Output Voltage Range (Note 2)	$T_a = 25^\circ\text{C}$, $V_I = 7.5\text{ V}$, $I_O = 0$	4.8	5	5.2	V
V_O	Output Voltage Range (Note 2)	$T_J = T_{\min}$ to T_{\max} $P \leq P_{\max}$ $V_I = 7.5$ to 15 V $I_O = 0$ to 3 A	4.75		5.25	V
K_{VI}	Line Regulation (Note 3)	$V_I = 7.5$ to 15 V $T_J = 25^\circ\text{C}$		5	25	mV
K_{VO}	Load Regulation (Note 3)	$I_O = 0$ to 3 A $V_I = 7.5\text{ V}$ $T_J = 25^\circ\text{C}$		25	100	mV
I_{IB}	Quiescent Current	$V_I = 7.5$ to 15 V $I_O = 0$ to 3 A		12	20	mA
V_{NO}	Output Noise Voltage	$T_a = 25^\circ\text{C}$ $f = 10\text{ Hz}$ to 100 KHz		40		μV_{rms}
I_{OS}	Short Circuit Current Limit	$V_I = 15\text{ V}$ $T_J = 25^\circ\text{C}$		3	4.5	A
		$V_I = 7.5\text{ V}$ $T_J = 25^\circ\text{C}$		4	5	
K_{VH}	Long Term Stability				35	mV

- Notes: 1. Although power dissipation is internally limited, specifications apply only for $P \leq 30\text{W}$.
 2. Selected devices with tightened tolerance output voltage available.
 3. Load and line regulation are specified at constant junction temperature. Pulse testing is required with a pulse width $\leq 1\text{ms}$ and duty cycle $\leq 5\%$.

Figure 1 : Output Noise Voltage

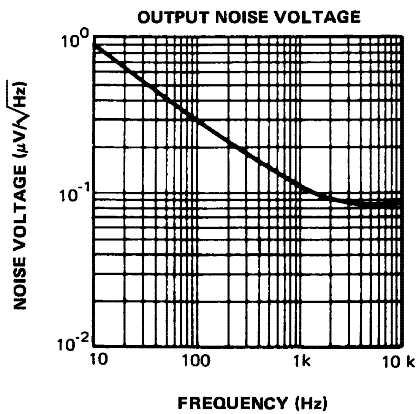


Figure 4 : Short Circuit Current

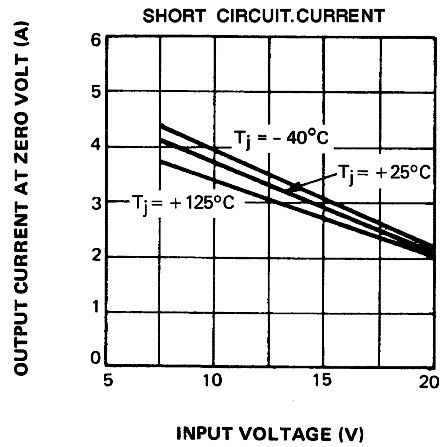


Figure 2 : Output Impedance

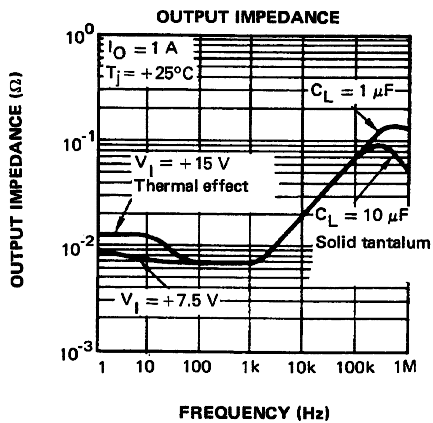


Figure 5 : Ripple Rejection

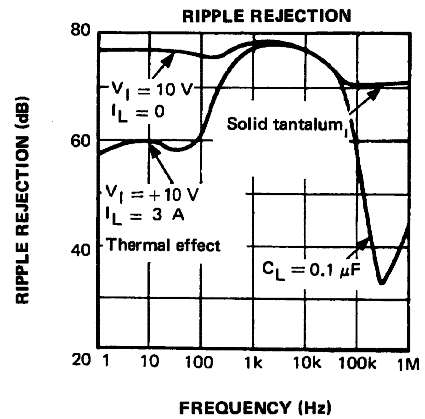


Figure 3 : Peak Available Output Current

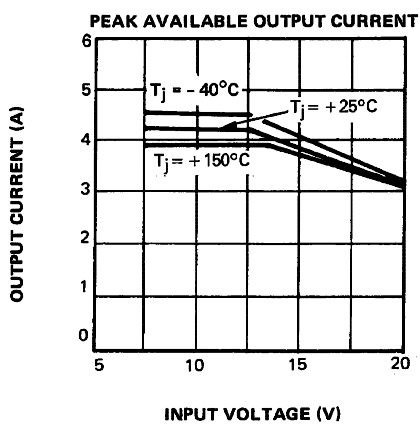


Figure 6 : Dropout Voltage

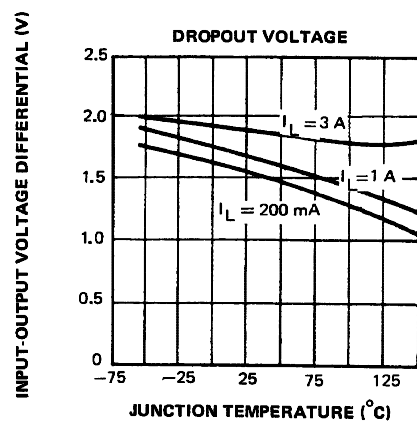


Figure 7 : Line Transient Response

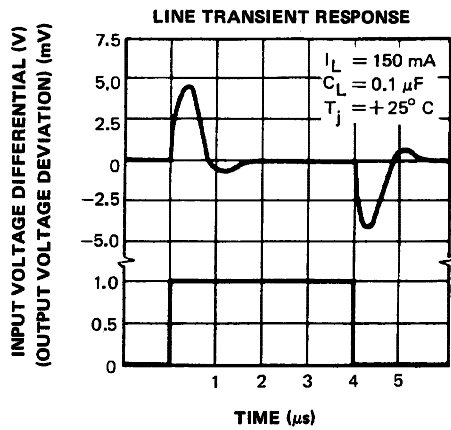


Figure 9 : Quiescent Current

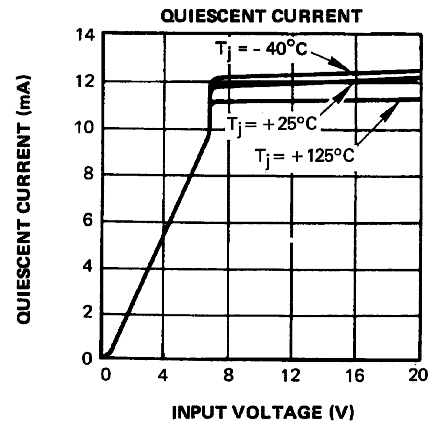


Figure 8 : Output Voltage

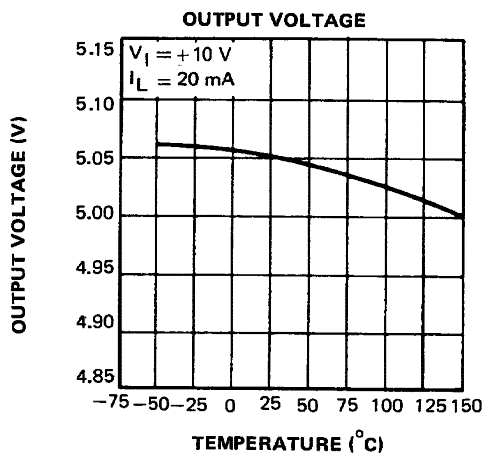
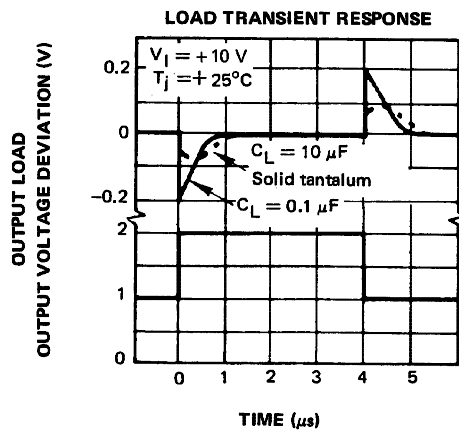
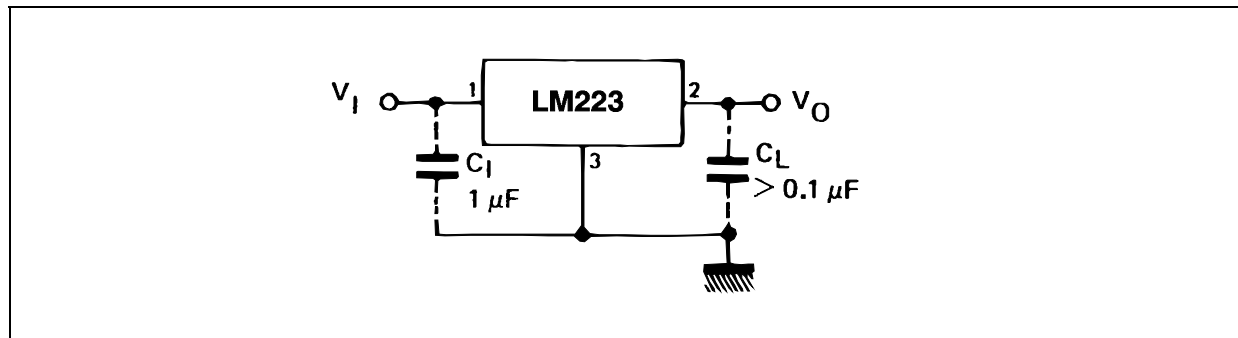


Figure 10 : Load Transient Response



TYPICAL APPLICATION

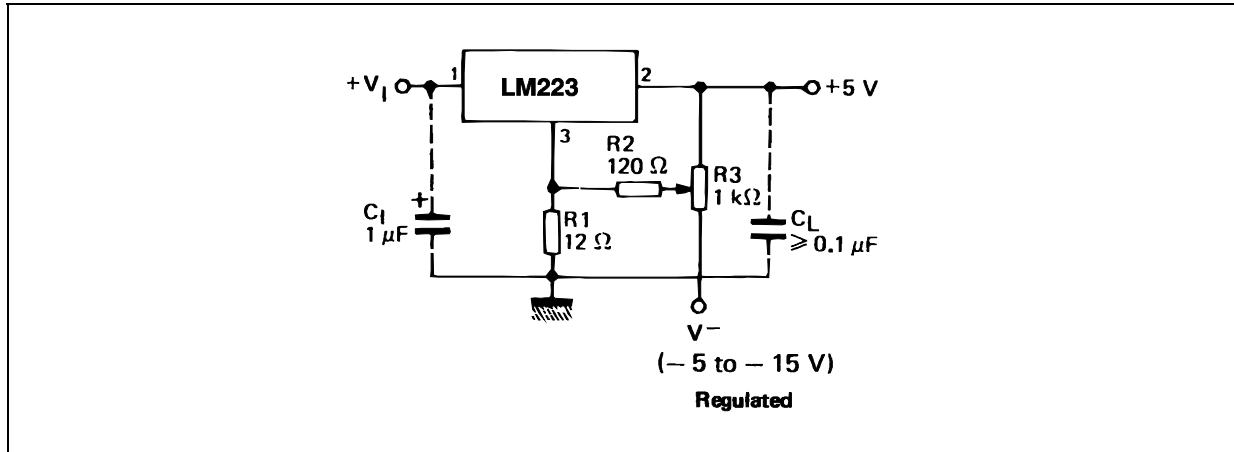
BASIC 3A REGULATOR



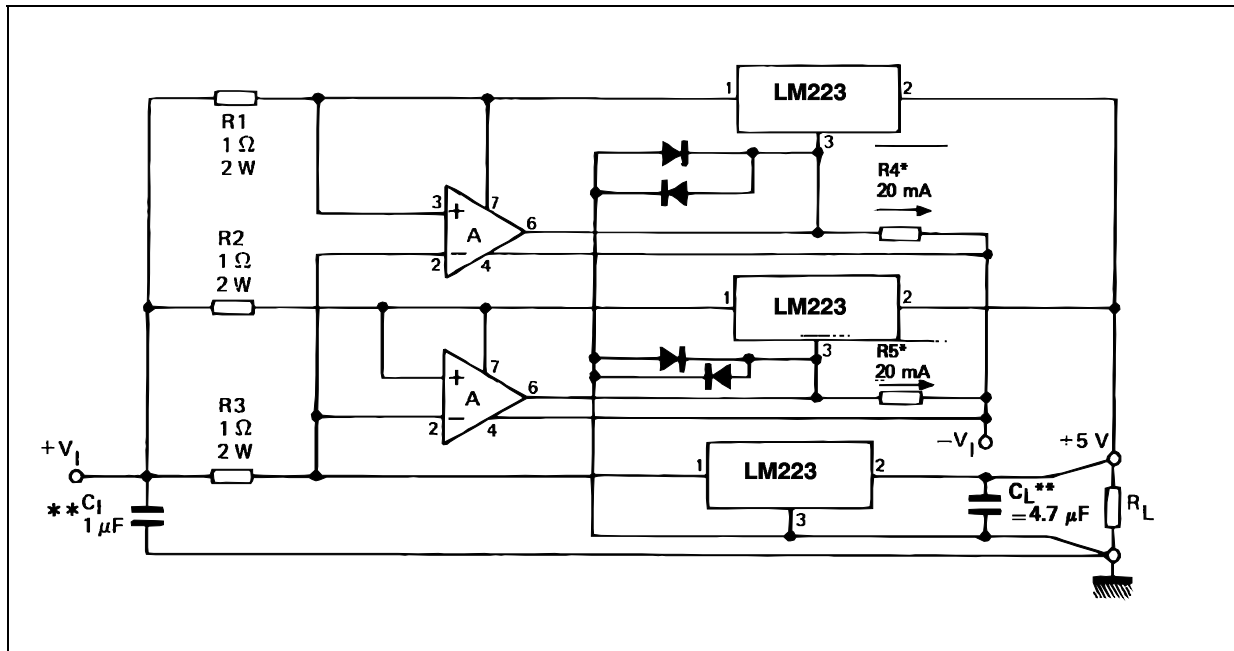
C_1 = Required if regulator is distant from filter capacitors.
 C_L = Regulator is stable with no load capacitor into resistive loads.

LM123-LM223-LM323

TRIMMING OUTPUT TO 5V



10A REGULATOR WITH COMPLETE OVERLOAD PROTECTION

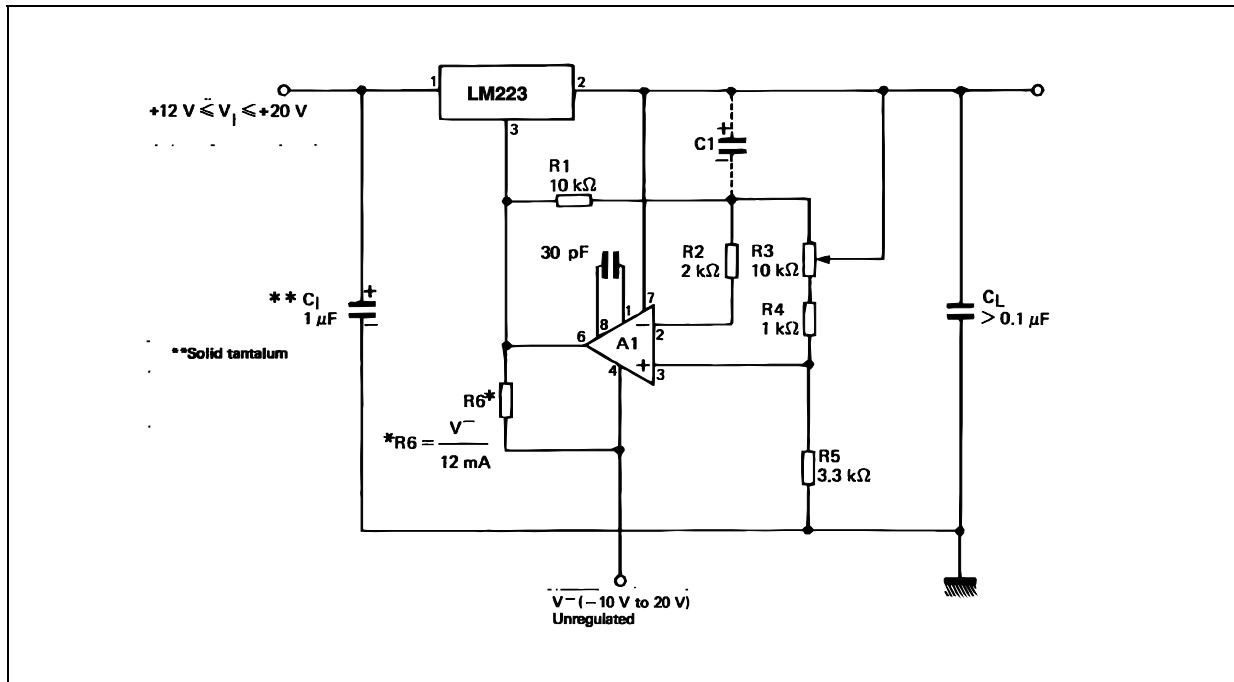


* Selected for 20 mA current from unregulated negative supply.

** Solid tantalum.

A = LM101A, LM201A, LM301A.

ADJUSTABLE REGULATOR 0 - 10V/3A

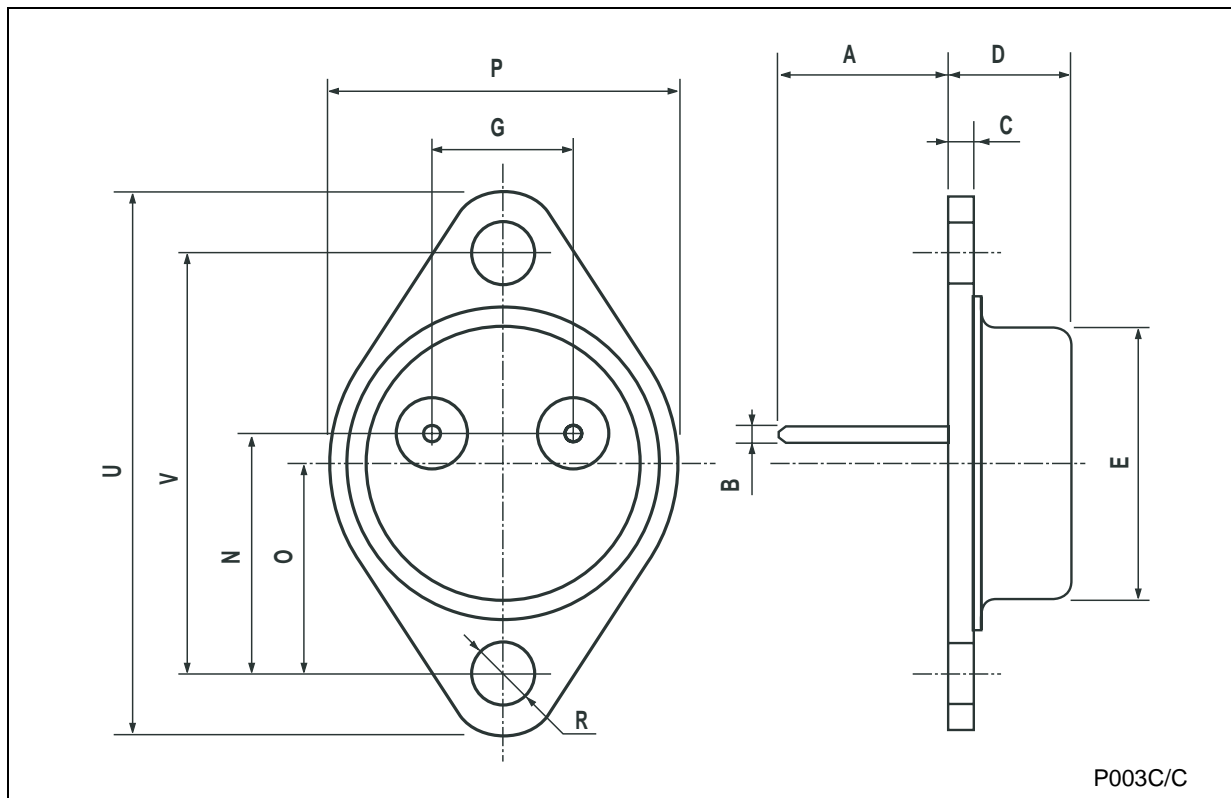


A1 = LM101A, LM201A, LM301A.

C1 = 2 μF optional - improves ripple rejection, noise and transient response.

TO-3 MECHANICAL DATA

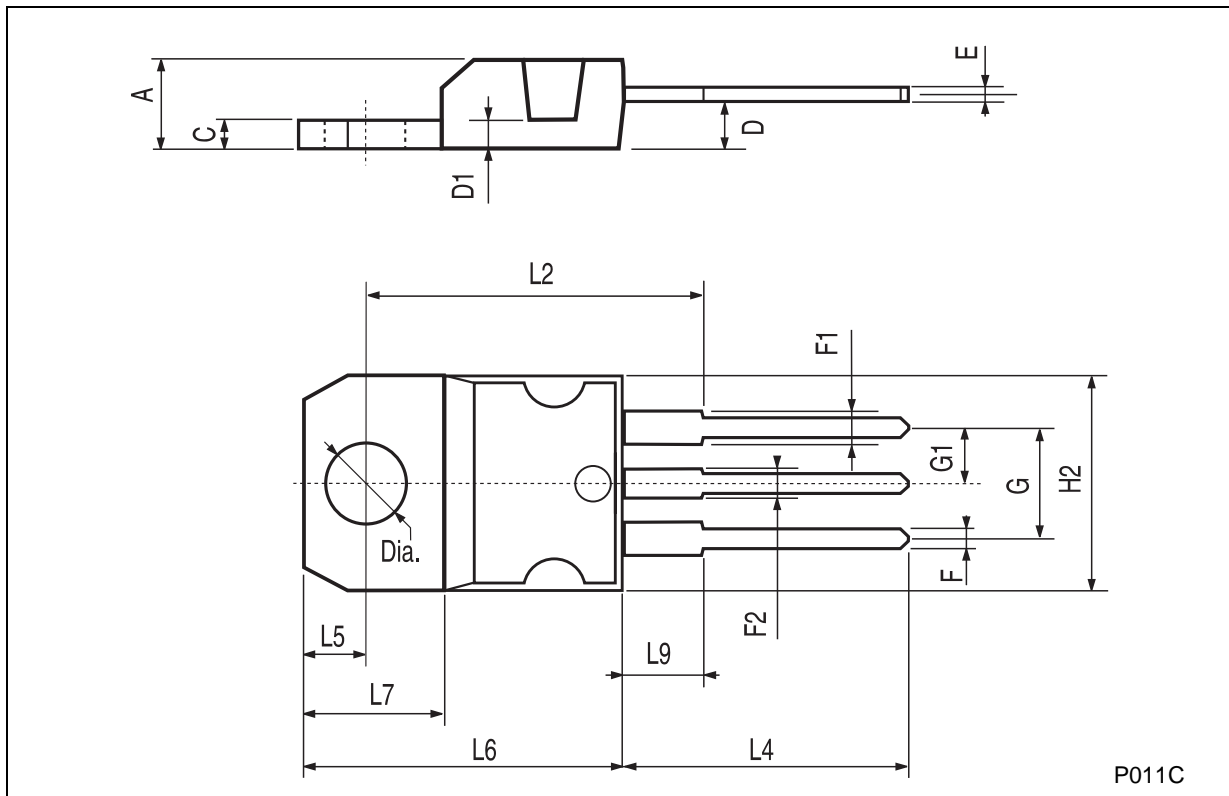
DIM.	mm.			inch		
	MIN.	TYP	MAX.	MIN.	TYP.	MAX.
A		11.85			0.466	
B	0.96	1.05	1.10	0.037	0.041	0.043
C			1.70			0.066
D			8.7			0.342
E			20.0			0.787
G		10.9			0.429	
N		16.9			0.665	
P			26.2			1.031
R	3.88		4.09	0.152		0.161
U			39.5			1.555
V		30.10			1.185	



P003C/C

TO-220 MECHANICAL DATA

DIM.	mm.			inch		
	MIN.	TYP	MAX.	MIN.	TYP.	MAX.
A	4.40		4.60	0.173		0.181
C	1.23		1.32	0.048		0.051
D	2.40		2.72	0.094		0.107
D1		1.27			0.050	
E	0.49		0.70	0.019		0.027
F	0.61		0.88	0.024		0.034
F1	1.14		1.70	0.044		0.067
F2	1.14		1.70	0.044		0.067
G	4.95		5.15	0.194		0.203
G1	2.4		2.7	0.094		0.106
H2	10.0		10.40	0.393		0.409
L2		16.4			0.645	
L4	13.0		14.0	0.511		0.551
L5	2.65		2.95	0.104		0.116
L6	15.25		15.75	0.600		0.620
L7	6.2		6.6	0.244		0.260
L9	3.5		3.93	0.137		0.154
DIA.	3.75		3.85	0.147		0.151



Information furnished is believed to be accurate and reliable. However, STMicroelectronics assumes no responsibility for the consequences of use of such information nor for any infringement of patents or other rights of third parties which may result from its use. No license is granted by implication or otherwise under any patent or patent rights of STMicroelectronics. Specifications mentioned in this publication are subject to change without notice. This publication supersedes and replaces all information previously supplied. STMicroelectronics products are not authorized for use as critical components in life support devices or systems without express written approval of STMicroelectronics.

© The ST logo is a registered trademark of STMicroelectronics

© 2003 STMicroelectronics - Printed in Italy - All Rights Reserved
STMicroelectronics GROUP OF COMPANIES

Australia - Brazil - Canada - China - Finland - France - Germany - Hong Kong - India - Israel - Italy - Japan - Malaysia - Malta - Morocco
Singapore - Spain - Sweden - Switzerland - United Kingdom - United States.

© <http://www.st.com>

This datasheet has been download from:

www.datasheetcatalog.com

Datasheets for electronics components.