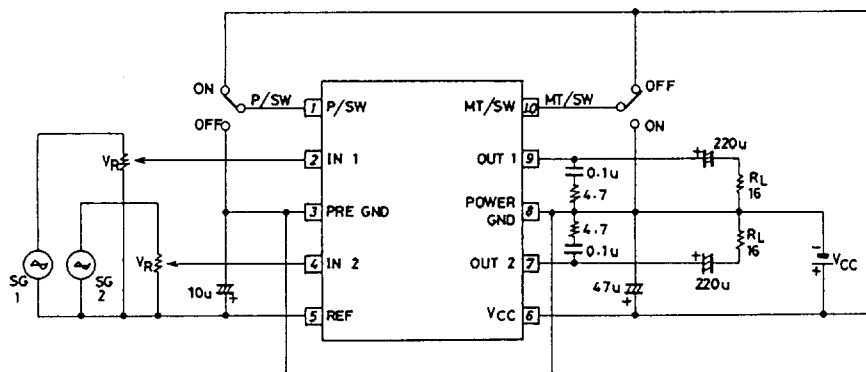


ヘッドフォンアンプ

© New Product

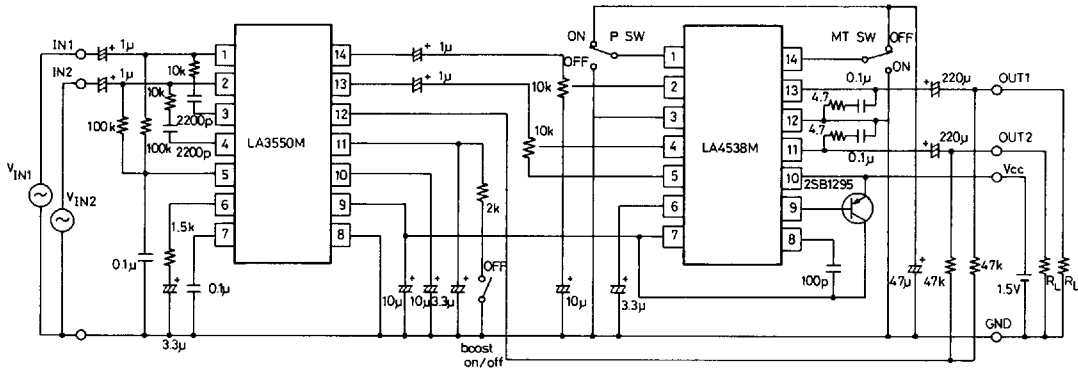
Type No.	Package	Preamp	Headphone Driver	2ch	Supply Voltage Range(V) Recommended Supply Voltage*(V)	RL(Ω)
LA3550M	MFP-14S	●		●	0.9~3.0 1.5*	-
LA4533M	MFP-10		●	●	1.6~4.0 3.0*	16~32
LA4534M	MFP-10		●	●	1.6~4.0 3.0*	16~32
LA4535M	MFP-10		●	●	0.9~4.0 1.5*	16~32
LA4536M	MFP-10		●	●	4.0~6.0 5.0*	16~32
LA4537M	MFP-10		●	●	0.9~4.0 1.5*	16~32
LA4538M	MFP-14S		●	●	0.9~4.0 1.5*	16~32
LA4570 LA4570M	DIP-20 MFP-20	●	●	●	1.8~3.6 3.0*	16~32
LA4571MB	MFP-20	●	●	●	1.8~3.6 3.0*	16~32
LA4575	DIP-16	●	●	●	1.8~5.4 3.0*	16~32
LA4581MB	MFP-24S	●	●	●	1.8~3.6 3.0*	16~32
LA4583M	QIP-44MA	●	●	●	1.8~3.6 3.0*	16~32
LA4589W	SQFP-48	●	●	●	0.95~2.2 1.5*	16~32
©LA4590W	SQFP-48	●	●	●	0.95~2.2 1.5*	16~32

LA4533M

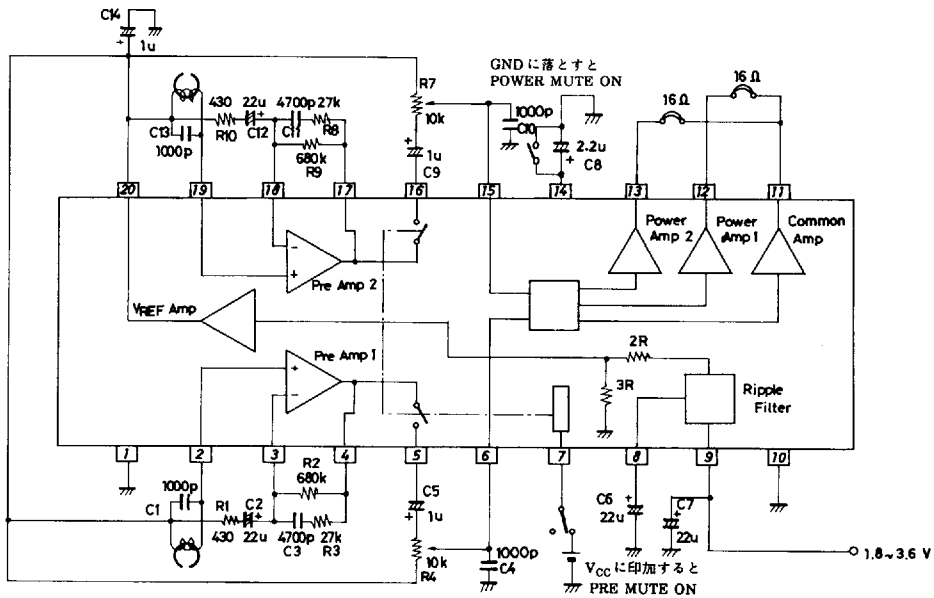


ヘッドフォンアンプ

LA4538M, 3550M



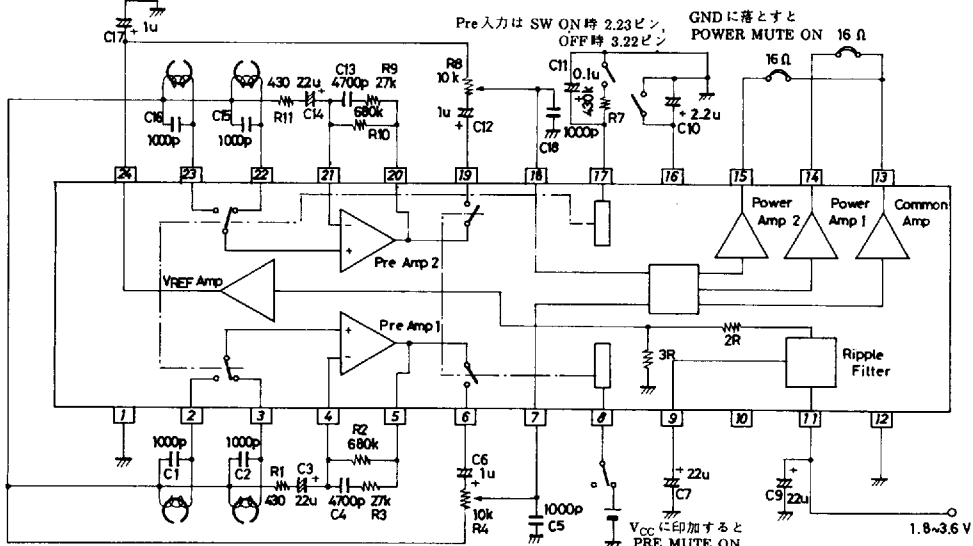
LA4571MB



注) プリ開ループ利得 $V_G = 40\text{dB}/1\text{kHz NAB}$

Note) Preamplifier closed loop gain $V_G = 40\text{dB}/1\text{kHz NAB}$

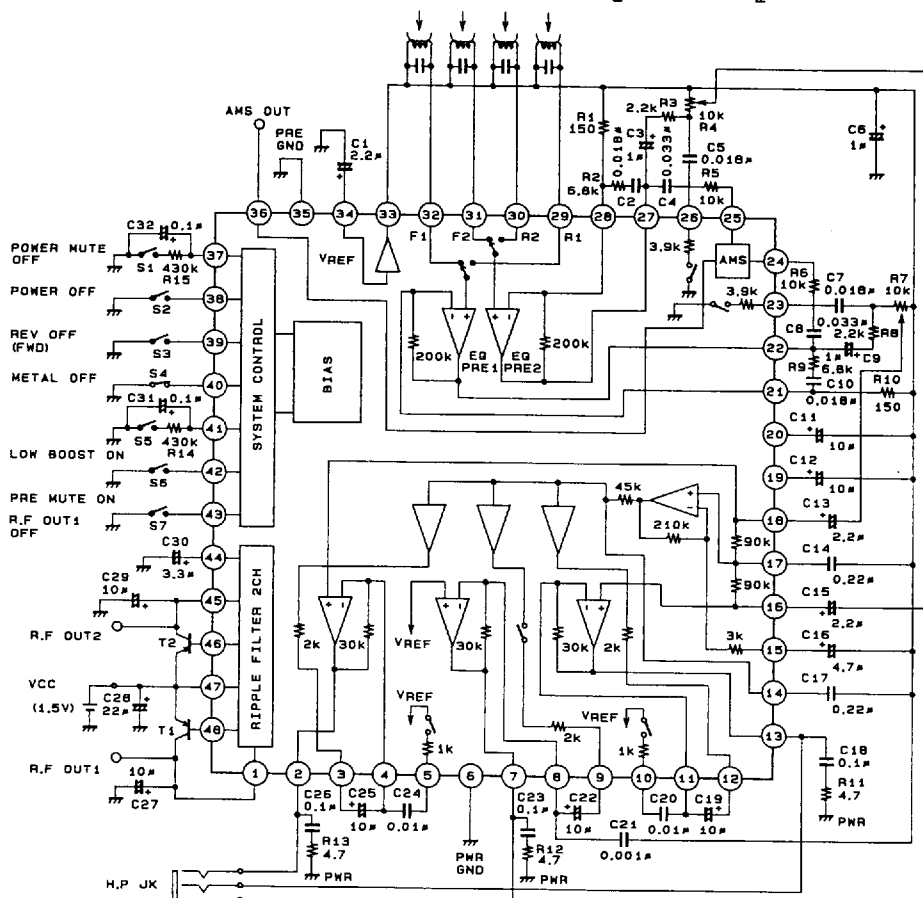
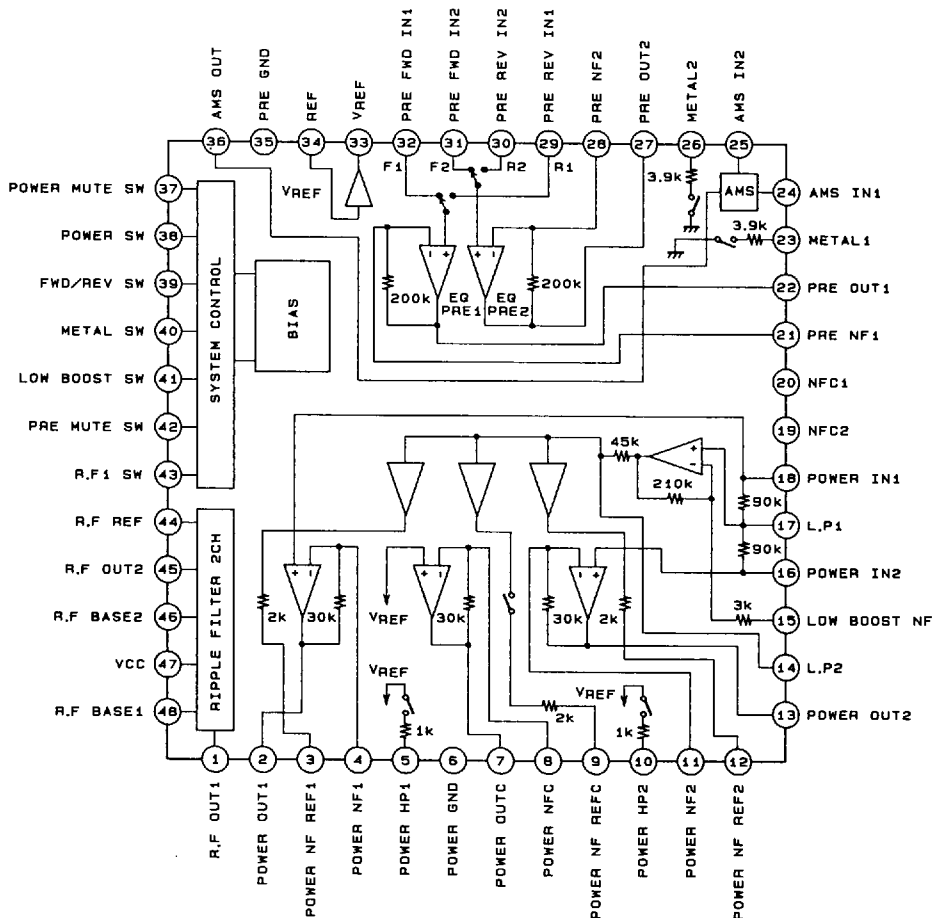
LA4581MB



注) プリ開ループ利得 $V_G = 40\text{dB}/1\text{kHz NAB}$

Note) Preamplifier closed loop gain $V_G = 40\text{dB}/1\text{kHz NAB}$

LA4589W
LA4590W



※LA4589Nは、42pin NC端子

注) 推奨トランジスタは2SB1295hFE6ランク以上のものである。

* : Pin 42 of the LA4589N is not used (NC pin).

Note: 2SB1295 (hFE6) or more powerful transistor is recommended.