



### Product Surface Chart



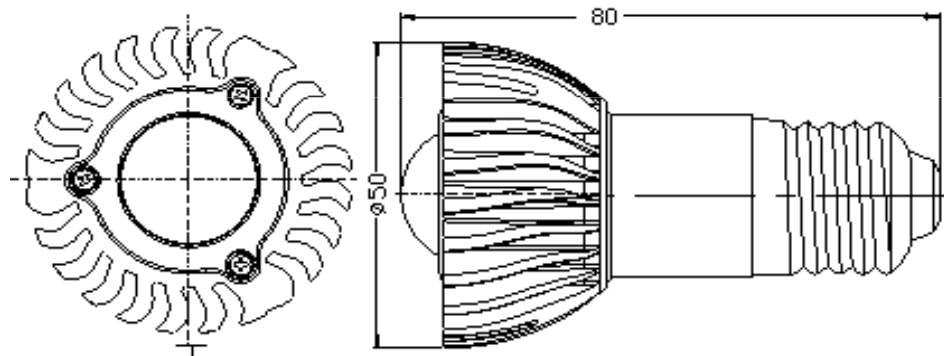
### Product Code

OF-JDRE2713xxL

### Color Code

Color	Code
cool white	W
warm white	WW
red	R
green	G
blue	B
yellow	Y

### Product Framework Dimension Chart



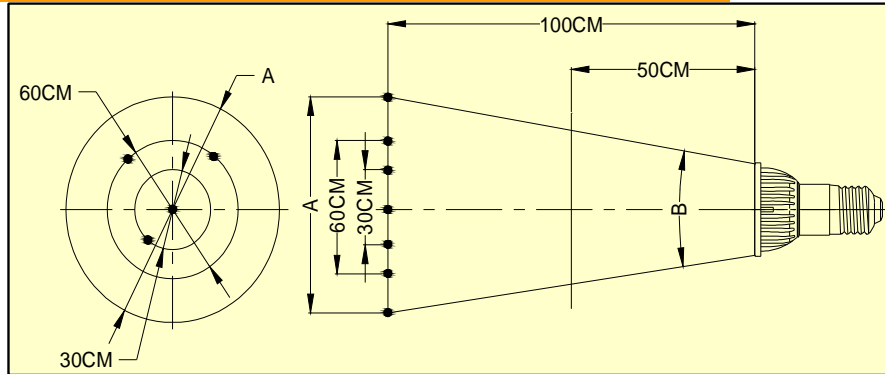
Unit : mm

### 1.FEATURES

- BULB TYPE : 3W JDR Sunlight LED Bulb
- BASE TYPE : E27
- INPUT VOLTAGE : AC85-260V with reversed polarity protect
- OUTPUT POWER : 3W
- TOTAL LENGTH : 80mm
- BEAM ANGLE : 60degrees
- REFLECTOR EFFICIENCY : 90%
- LIGHT SOURCE : 3W high power LED
- INPUT CURRENT : 700mA
- BODY TEMPERATURE : <61°C
- LED WORKING TEMPERATURE : <63°C
- FULL RANGE OF COLORS : cool white, warm white, blue, green ,red,yellow
- NET WEIGHT : 105g
- ALUMINIUM HOUSING

- NO UV OR IR RADIATION
- SAFETY ASSURANCE : CE&ROHS

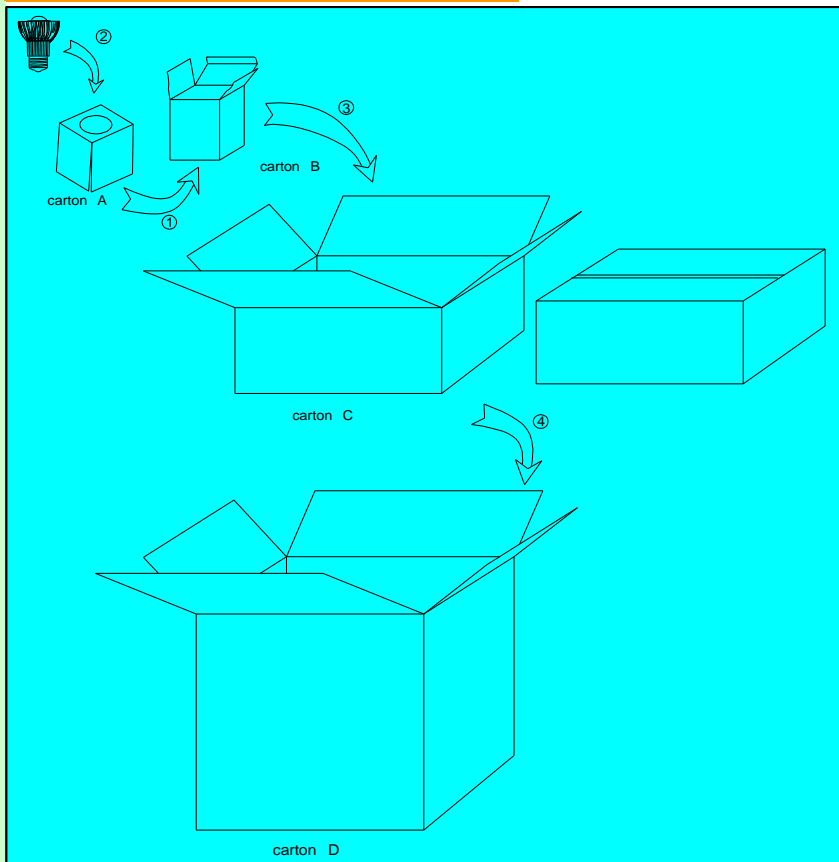
## 2.Chart of Aperture Luminous Intensity in One Metre distance away



## Optical Characteristics at $I_p=700mA$ OUTPUT POWER : 3.0W

part no.	LED Brand	Color	wavelength/C CT(nm/K)	Luminous Flux (LM)	center illuminance @1M/0.5M ( LUX )	Dia 60/30CM 1M/0.5M ( LUX )	light circle 1M/0.5M (CM)
OF-JDRE2713WL	Luxeon	cool white	6000-8000K	85	150/560	100/360	80/40
OF-JDRE2713WWL		warm white	2800-3500K	36	130/470	90/330	80/40

## 5.Packing Criterion



### Packing Notice :

- 1.Qty/ctn:100pcs
- 2.Gross Weight:12.5kg
- 3.Size of carton:31\*25\*44CM
- 4.Handle with care