

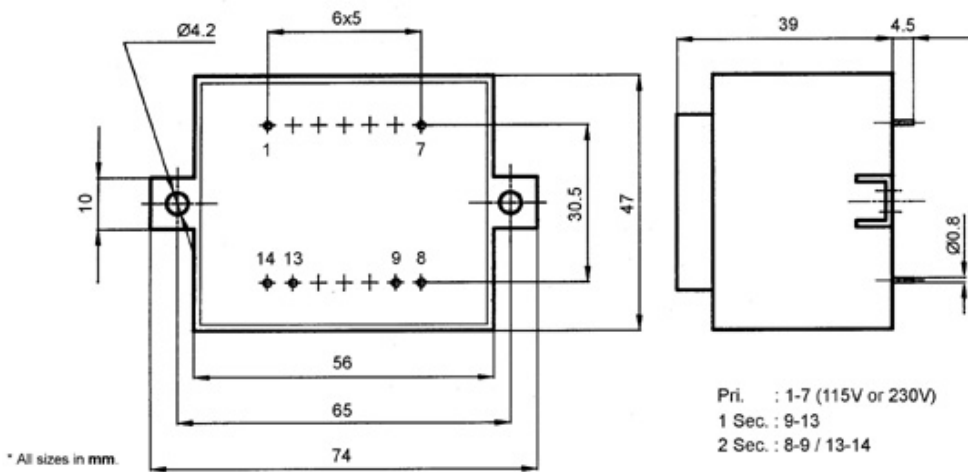
STANDARD ENCAPSULATED

Format	Power	Weight
EI54/19T	12 VA	430 grs.

Code	Primary	Secondary	Ta/DT/CT	Primary Protection	Secondary Protection
1122189	230V	2x15V-2x0.4A	40°C/35°C/B	-	2x500mA/F

HOMOLOGACIONES
UL Canada / UL USA / VDE / RoHS

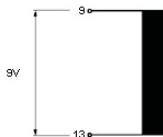
MEASURES AND DIMENSIONS



ESQUEMA

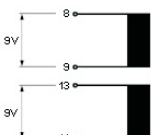
Conexión 1 Secundario / 1 Secondary Connections (Ejemplo / Example)

Esquema
Circuit arrangement
9V - 1.33A

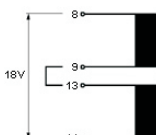


Conexión 2 Secundarios / 2 Secondary Connections (Ejemplo / Example)

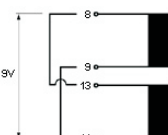
Esquema
Circuit arrangement
2x9V - 2x0.66A



Conexión Serie
Serial connection
18V - 0.66A



Conexión Paralelo
Parallel connection
9V - 1.33A



IMAGES

