

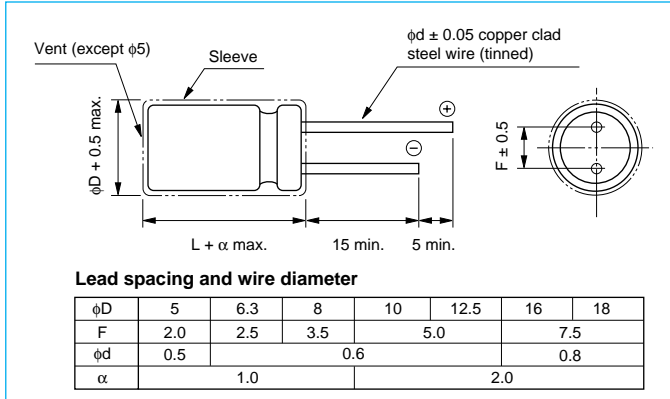


RSH Miniature Aluminum Electrolytic Capacitors

Series RSH 105°C, Miniaturized, High-Frequency, Low-Impedance

- Miniaturized, highly reliable guaranteed for 5000 hours at 105 °C. (2000 hours for case dia. 5 to 6.3 mm, 3000 hours for case dia. 8 to 10 mm).
- High-frequency low-impedance product.

Outline Drawing



Unit: mm

Photo



Specifications • Advance Notice: Effective December 1998, the RSH Series will be replaced by the RJH Series.

No.	Item	Performance																		
1	Temperature range (°C)	-55 to +105																		
2	Leakage current (μA)	Less than 0.01 CV or +2 (after two minutes), C: Capacitance (μF), V: Voltage (V)																		
3	Capacitance tolerance (%)	±20 (20°C, 120 Hz)																		
4	Tangent of loss angle (tan δ)	<table border="1"> <thead> <tr> <th>Rated voltage (V)</th> <th>6.3</th> <th>10</th> <th>16</th> <th>25</th> <th>35</th> <th>50</th> <th>63</th> <th>100</th> </tr> </thead> <tbody> <tr> <td>tan δ</td> <td>0.22</td> <td>0.19</td> <td>0.16</td> <td>0.14</td> <td>0.12</td> <td>0.10</td> <td>0.08</td> <td>0.07</td> </tr> </tbody> </table> <p>0.02 is added to each 1000 μF increase over 1000 μF.</p>	Rated voltage (V)	6.3	10	16	25	35	50	63	100	tan δ	0.22	0.19	0.16	0.14	0.12	0.10	0.08	0.07
Rated voltage (V)	6.3	10	16	25	35	50	63	100												
tan δ	0.22	0.19	0.16	0.14	0.12	0.10	0.08	0.07												
5	Stability at low temperature	<table border="1"> <thead> <tr> <th>Rated voltage (V)</th> <th>6.3</th> <th>10 to 100</th> </tr> </thead> <tbody> <tr> <td>Item</td> <td>Capacitance: ΔC/C (-55°C/20°C)</td> <td>±30%</td> </tr> <tr> <td></td> <td>Imp. ratio: Z/Z (-55°C/20°C)</td> <td>3 or less</td> </tr> </tbody> </table> <p>(120 Hz)</p>	Rated voltage (V)	6.3	10 to 100	Item	Capacitance: ΔC/C (-55°C/20°C)	±30%		Imp. ratio: Z/Z (-55°C/20°C)	3 or less									
Rated voltage (V)	6.3	10 to 100																		
Item	Capacitance: ΔC/C (-55°C/20°C)	±30%																		
	Imp. ratio: Z/Z (-55°C/20°C)	3 or less																		
6	Endurance (105°C) (Applied ripple current)	<table border="1"> <thead> <tr> <th>Test time</th> <th>5000 hrs (φ5 to φ6.3 2000 hrs, φ8 to φ10 is 3000 hrs)</th> </tr> </thead> <tbody> <tr> <td>Leakage current</td> <td>Initial specified value or less</td> </tr> <tr> <td>Change in capacitance</td> <td>Within ±20% of initial value</td> </tr> <tr> <td>tan δ</td> <td>200% or less of initial specified value</td> </tr> </tbody> </table>	Test time	5000 hrs (φ5 to φ6.3 2000 hrs, φ8 to φ10 is 3000 hrs)	Leakage current	Initial specified value or less	Change in capacitance	Within ±20% of initial value	tan δ	200% or less of initial specified value										
Test time	5000 hrs (φ5 to φ6.3 2000 hrs, φ8 to φ10 is 3000 hrs)																			
Leakage current	Initial specified value or less																			
Change in capacitance	Within ±20% of initial value																			
tan δ	200% or less of initial specified value																			
7	Max. storage temp. (105°C)	<table border="1"> <thead> <tr> <th>Test time</th> <th>1000 hrs</th> </tr> </thead> <tbody> <tr> <td>Leakage current</td> <td>Initial specified value or less</td> </tr> <tr> <td>Change in capacitance</td> <td>Within ±15% of initial value</td> </tr> <tr> <td>tan δ</td> <td>150% or less of initial specified value</td> </tr> </tbody> </table> <p>Pretreatment performed (JIS C 5102).</p>	Test time	1000 hrs	Leakage current	Initial specified value or less	Change in capacitance	Within ±15% of initial value	tan δ	150% or less of initial specified value										
Test time	1000 hrs																			
Leakage current	Initial specified value or less																			
Change in capacitance	Within ±15% of initial value																			
tan δ	150% or less of initial specified value																			
8	Applicable Standards	JIS C 5102 and JIS C5141																		

Coefficients of Frequency for Ripple Current

Capacitance (μF)	Frequency (Hz)	120	1 k	10 k	100 k
0.47 to 4.7		0.40	0.68	0.78	1
5.6 to 47		0.50	0.76	0.87	1
56 to 270		0.70	0.85	0.90	1
330 to 1000		0.80	0.93	0.98	1
1200 to 15000		0.90	0.95	1	1

Coefficients of Temperature for Ripple Current

Temperature (°C)	+70 or less	+85	+105
Coefficients	1.96	1.68	1

Radial Type

RSH



RSH Miniature Aluminum Electrolytic Capacitors

Case size by working voltage & capacitance (in mm)

(mm)

WV(V) Cap.(μF)	6.3	10	16	25	35	50	63	100
0.47						5 x 11.5		
1						5 x 11.5		
2.2						5 x 11.5		
3.3						5 x 11.5		
4.7						5 x 11.5		
5.6								5 x 11.5
8.2								5 x 15
10						5 x 11.5		
12							5 x 11.5	6.3 x 11.5
18						5 x 11.5	5 x 15	6.3 x 15
22								8 x 12
27					5 x 11.5	5 x 15	6.3 x 11.5	10 x 12.5
33								8 x 15 / 10 x 16
39				5 x 11.5	5 x 15	6.3 x 11.5	6.3 x 15	8 x 20
47							8 x 12	
56			5 x 11.5	5 x 15	6.3 x 11.5	6.3 x 15	10 x 12.5	10 x 20
68						8 x 12	8 x 15 / 10 x 16	10 x 25 / 12.5 x 15
82		5 x 11.5	5 x 15	6.3 x 11.5	6.3 x 15	8 x 15 / 10 x 12.5	8 x 20	
100	5 x 11.5	5 x 15				10 x 16		10 x 30 / 12.5 x 20
120			6.3 x 11.5	6.3 x 15	8 x 12	8 x 20	10 x 20	12.5 x 25 / 16 x 15
150	5 x 15				10 x 12.5		10 x 25 / 12.5 x 15	18 x 15
180		6.3 x 11.5	6.3 x 15	8 x 12	8 x 15 / 10 x 16	10 x 20 / 12.5 x 15	10 x 30	12.5 x 30 / 16 x 20
220	6.3 x 11.5	6.3 x 15		8 x 15 / 10 x 12.5	8 x 20	10 x 25	12.5 x 20 / 16 x 15	12.5 x 35 / 16 x 25
270			8 x 12	10 x 16			12.5 x 25	12.5 x 40 / 18 x 20
330	6.3 x 15	8 x 12	8 x 15 / 10 x 12.5	8 x 20	10 x 20 / 12.5 x 15	10x30/12.5x20/16x15	18 x 15	16 x 31.5 / 18 x 25
390			10 x 16		10 x 25		12.5 x 30 / 16 x 20	16 x 35.5 / 18 x 31.5
470	8 x 12	8 x 15 / 10 x 12.5	8 x 20	10 x 20 / 12.5 x 15		12.5 x 25 / 18 x 15	12.5x35/16x25/18x20	16 x 40
560		10 x 16		10 x 25	10x30/12.5x20/16x15	12.5 x 30	12.5 x 40	18 x 35.5
680	8 x 15 / 10 x 12.5	8 x 20	10 x 20 / 12.5 x 15		12.5 x 25 / 18 x 15	12.5 x 35 / 16 x 25	16 x 31.5 / 18 x 25	18 x 40
820	10 x 16		10 x 25	10x30/12.5x20/16x15		12.5x40/16x25/18x20	16 x 35.5 / 18 x 31.5	
1000	8 x 20	10 x 20 / 12.5 x 15		12.5 x 25	12.5 x 30 / 16 x 20	16 x 31.5 / 18 x 25	16 x 40 / 18 x 31.5	
1200	10 x 20 / 12.5 x 15	10 x 25	10 x 30 / 12.5 x 20	18 x 15	12.5x35/16x25/18x20	16 x 35.5	18 x 40	
1500	10 x 25	10 x 30	12.5x25/16x15/18x15	12.5 x 30 / 16 x 20	12.5 x 40	16 x 40 / 18 x 31.5		
1800		12.5 x 20 / 16 x 15		12.5x35/16x25/18x20	16 x 31.5 / 18 x 25	18 x 35.5		
2200	10 x 30 / 12.5 x 20	12.5 x 25 / 18 x 15	12.5 x 30 / 16 x 20	12.5 x 40	16 x 35.5 / 18 x 31.5	18 x 40		
2700	12.5 x 25 / 16 x 15	12.5 x 30	12.5x35/16x25/18x20	16 x 31.5 / 18 x 25	16 x 40 / 18 x 35.5			
3300	18 x 15	12.5 x 35 / 16 x 20	12.5 x 40	16 x 35.5 / 18 x 31.5	18 x 40			
3900	12.5 x 30	12.5x40/16x25/18x20	16 x 31.5 / 18 x 25	16 x 40 / 18 x 35.5				
4700	12.5 x 35 / 16 x 20	18 x 25	16 x 35.5 / 18 x 31.5	18 x 40				
5600	12.5x40/16x25/18x20	16 x 31.5	16 x 40					
6800	16 x 31.5 / 18 x 25	16 x 35.5 / 18 x 31.5	18 x 35.5					
8200	16 x 35.5	16 x 40 / 18 x 35.5	18 x 40					
10000	18 x 31.5	18 x 40						
12000	16 x 40 / 18 x 35.5							
15000	18 x 40							

Radial Type

RSH



RSH Miniature Aluminum Electrolytic Capacitors

Standard Ratings

ELNA PART NO. / WV (V)	CAP. (µF)	SIZE (φx L) (mm)	tan δ	IMPEDANCE (Ω)		Rip Cur. (mAmps)
				20°C	-10°C	
6.3 V						
RSH-6V101MA21	100	5 x 11.5	0.22	0.65	1.3	175
RSH-6V151MA22	150	5 x 15	0.22	0.46	0.92	235
RSH-6V221MA31	220	6.3 x 11.5	0.22	0.30	0.60	290
RSH-6V331MA32	330	6.3 x 15	0.22	0.20	0.40	400
RSH-6V471MA41	470	8 x 12	0.22	0.17	0.34	488
RSH-6V681MA42	680	8 x 15	0.22	0.13	0.26	617
RSH-6V102MA43	1000	8 x 20	0.22	0.095	0.19	800
RSH-6V681MA51	680	10 x 12.5	0.22	0.12	0.24	613
RSH-6V821MA52	820	10 x 16	0.22	0.095	0.19	734
RSH-6V122MA53	1200	10 x 20	0.22	0.065	0.13	1010
RSH-6V152MA54	1500	10 x 25	0.22	0.055	0.11	1190
RSH-6V222MA55	2200	10 x 30	0.24	0.045	0.090	1440
RSH-6V122MA61	1200	12.5 x 15	0.22	0.065	0.13	1010
RSH-6V222MA62	2200	12.5 x 20	0.24	0.042	0.084	1400
RSH-6V272MA63	2700	12.5 x 25	0.24	0.038	0.076	1690
RSH-6V392MA64	3900	12.5 x 30	0.26	0.032	0.064	1950
RSH-6V472MA65	4700	12.5 x 35	0.28	0.028	0.056	2220
RSH-6V562MA66	5600	12.5 x 40	0.30	0.026	0.052	2390
RSH-6V272MA71	2700	16 x 15	0.24	0.046	0.092	1310
RSH-6V472MA72	4700	16 x 20	0.28	0.034	0.068	1660
RSH-6V562MA73	5600	16 x 25	0.30	0.028	0.056	2070
RSH-6V682MA74	6800	16 x 31.5	0.32	0.025	0.050	2350
RSH-6V822MA75	8200	16 x 35.5	0.36	0.022	0.044	2550
RSH-6V123MA76	12000	16 x 40	0.42	0.020	0.040	2970
RSH-6V332MA81	3300	18 x 15	0.26	0.043	0.086	1460
RSH-6V562MA82	5600	18 x 20	0.30	0.030	0.060	1850
RSH-6V682MA83	6800	18 x 25	0.32	0.027	0.054	2120
RSH-6V103MA84	10000	18 x 31.5	0.38	0.023	0.046	2410
RSH-6V123MA85	12000	18 x 35.5	0.42	0.019	0.038	2680
RSH-6V153MA86	15000	18 x 40	0.48	0.018	0.036	3010
10 V						
RSH-10V820MA21	82	5 x 11.5	0.19	0.65	1.3	175
RSH-10V101MA22	100	5 x 15	0.19	0.46	0.92	235
RSH-10V181MA31	180	6.3 x 11.5	0.19	0.31	0.62	290
RSH-10V221MA32	220	6.3 x 15	0.19	0.20	0.40	400
RSH-10V331MA41	330	8 x 12	0.19	0.17	0.34	490

ELNA PART NO. / WV (V)	CAP. (µF)	SIZE (φx L) (mm)	tan δ	IMPEDANCE (Ω)		Rip Cur. (mAmps)
				20°C	-10°C	
RSH-10V471MA42	470	8 x 15	0.19	0.13	0.26	617
RSH-10V681MA43	680	8 x 20	0.19	0.095	0.19	800
RSH-10V471MA51	470	10 x 12.5	0.19	0.12	0.24	620
RSH-10V561MA52	560	10 x 16	0.19	0.095	0.19	734
RSH-10V102MA53	1000	10 x 20	0.19	0.060	0.12	1010
RSH-10V122MA54	1200	10 x 25	0.19	0.055	0.11	1190
RSH-10V152MA55	1500	10 x 30	0.19	0.045	0.090	1440
RSH-10V102MA61	1000	12.5 x 15	0.19	0.065	0.13	1010
RSH-10V182MA62	1800	12.5 x 20	0.19	0.042	0.084	1400
RSH-10V222MA63	2200	12.5 x 25	0.21	0.036	0.072	1690
RSH-10V272MA64	2700	12.5 x 30	0.21	0.032	0.064	1950
RSH-10V332MA65	3300	12.5 x 35	0.23	0.028	0.056	2220
RSH-10V392MA66	3900	12.5 x 40	0.23	0.025	0.050	2390
RSH-10V182MA71	1800	16 x 15	0.19	0.046	0.092	1310
RSH-10V332MA72	3300	16 x 20	0.23	0.034	0.068	1660
RSH-10V392MA73	3900	16 x 25	0.23	0.028	0.056	2070
RSH-10V562MA74	5600	16 x 31.5	0.27	0.025	0.050	2350
RSH-10V682MA75	6800	16 x 35.5	0.29	0.022	0.044	2550
RSH-10V822MA76	8200	16 x 40	0.33	0.020	0.040	2970
RSH-10V222MA81	2200	18 x 15	0.21	0.043	0.086	1460
RSH-10V392MA82	3900	18 x 20	0.23	0.030	0.060	1850
RSH-10V472MA83	4700	18 x 25	0.25	0.027	0.054	2120
RSH-10V682MA84	6800	18 x 31.5	0.29	0.023	0.046	2410
RSH-10V822MA85	8200	18 x 35.5	0.33	0.019	0.038	2680
RSH-10V103MA86	10000	18 x 40	0.35	0.018	0.036	3010
16 V						
RSH-16V560MA21	56	5 x 11.5	0.16	0.65	1.3	175
RSH-16V820MA22	82	5 x 15	0.16	0.46	0.92	235
RSH-16V121MA31	120	6.3 x 11.5	0.16	0.31	0.62	290
RSH-16V181MA32	180	6.3 x 15	0.16	0.20	0.40	400
RSH-16V271MA41	270	8 x 12	0.16	0.17	0.34	501
RSH-16V331MA42	330	8 x 15	0.16	0.13	0.26	575
RSH-16V471MA43	470	8 x 20	0.16	0.095	0.19	760
RSH-16V331MA51	330	10 x 12.5	0.16	0.13	0.26	625
RSH-16V391MA52	390	10 x 16	0.16	0.090	0.18	795
RSH-16V681MA53	680	10 x 20	0.16	0.065	0.13	1010
RSH-16V821MA54	820	10 x 25	0.16	0.055	0.11	1190

Note: Impedance 100 kHz
Allowable Ripple Current 100 kHz at 105°C

Radial Type

RSH



RSH Miniature Aluminum Electrolytic Capacitors

Standard Ratings

ELNA PART NO. / WV (V)	CAP. (µF)	SIZE (φx L) (mm)	tan δ	IMPEDANCE (Ω)		Rip Cur. (mAmps)
				20°C	-10°C	
RSH-16V122MA55	1200	10 x 30	0.16	0.047	0.094	1430
RSH-16V681MA61	680	12.5 x 15	0.16	0.065	0.13	1010
RSH-16V122MA62	1200	12.5 x 20	0.16	0.042	0.084	1400
RSH-16V152MA63	1500	12.5 x 25	0.16	0.038	0.076	1690
RSH-16V222MA64	2200	12.5 x 30	0.18	0.032	0.064	1950
RSH-16V272MA65	2700	12.5 x 35	0.18	0.028	0.056	2200
RSH-16V332MA66	3300	12.5 x 40	0.20	0.026	0.052	2390
RSH-16V152MA71	1500	16 x 15	0.16	0.046	0.092	1340
RSH-16V222MA72	2200	16 x 20	0.18	0.034	0.068	1730
RSH-16V272MA73	2700	16 x 25	0.18	0.028	0.056	2070
RSH-16V392MA74	3900	16 x 31.5	0.20	0.025	0.050	2350
RSH-16V472MA75	4700	16 x 35.5	0.22	0.022	0.044	2550
RSH-16V562MA76	5600	16 x 40	0.24	0.020	0.040	2900
RSH-16V152MA81	1500	18 x 15	0.16	0.043	0.086	1490
RSH-16V272MA82	2700	18 x 20	0.18	0.030	0.060	1870
RSH-16V392MA83	3900	18 x 25	0.20	0.027	0.054	2160
RSH-16V472MA84	4700	18 x 31.5	0.22	0.023	0.046	2450
RSH-16V682MA85	6800	18 x 35.5	0.26	0.019	0.038	2730
RSH-16V822MA86	8200	18 x 40	0.30	0.018	0.036	3060
25 V						
RSH-25V390MA21	39	5 x 11.5	0.14	0.65	1.3	175
RSH-25V560MA22	56	5 x 15	0.14	0.46	0.92	235
RSH-25V820MA31	82	6.3 x 11.5	0.14	0.31	0.62	290
RSH-25V121MA32	120	6.3 x 15	0.14	0.20	0.40	400
RSH-25V181MA41	180	8 x 12	0.14	0.17	0.34	503
RSH-25V221MA42	220	8 x 15	0.14	0.13	0.26	575
RSH-25V331MA43	330	8 x 20	0.14	0.095	0.19	751
RSH-25V221MA51	220	10 x 12.5	0.14	0.12	0.24	629
RSH-25V271MA52	270	10 x 16	0.14	0.090	0.18	795
RSH-25V471MA53	470	10 x 20	0.14	0.065	0.13	1010
RSH-25V561MA54	560	10 x 25	0.14	0.055	0.11	1190
RSH-25V821MA55	820	10 x 30	0.14	0.045	0.090	1440
RSH-25V471MA61	470	12.5 x 15	0.14	0.065	0.13	1010
RSH-25V821MA62	820	12.5 x 20	0.14	0.042	0.084	1400
RSH-25V102MA63	1000	12.5 x 25	0.14	0.036	0.072	1690
RSH-25V152MA64	1500	12.5 x 30	0.14	0.030	0.060	1950
RSH-25V182MA65	1800	12.5 x 35	0.14	0.028	0.056	2200

ELNA PART NO. / WV (V)	CAP. (µF)	SIZE (φx L) (mm)	tan δ	IMPEDANCE (Ω)		Rip Cur. (mAmps)
				20°C	-10°C	
RSH-25V222MA66	2200	12.5 x 40	0.14	0.024	0.048	2390
RSH-25V821MA71	820	16 x 15	0.14	0.046	0.092	1360
RSH-25V152MA72	1500	16 x 20	0.14	0.034	0.068	1730
RSH-25V182MA73	1800	16 x 25	0.14	0.028	0.056	2070
RSH-25V272MA74	2700	16 x 31.5	0.16	0.025	0.050	2350
RSH-25V332MA75	3300	16 x 35.5	0.18	0.022	0.044	2550
RSH-25V392MA76	3900	16 x 40	0.18	0.020	0.040	2900
RSH-25V122MA81	1200	18 x 15	0.14	0.043	0.086	1500
RSH-25V182MA82	1800	18 x 20	0.14	0.036	0.072	1890
RSH-25V272MA83	2700	18 x 25	0.16	0.027	0.054	2180
RSH-25V332MA84	3300	18 x 31.5	0.18	0.023	0.046	2470
RSH-25V392MA85	3900	18 x 35.5	0.18	0.019	0.038	2740
RSH-25V472MA86	4700	18 x 40	0.20	0.018	0.036	3070
35 V						
RSH-35V270MA21	27	5 x 11.5	0.12	0.65	1.3	175
RSH-35V390MA22	39	5 x 15	0.12	0.46	0.92	235
RSH-35V560MA31	56	6.3 x 11.5	0.12	0.30	0.60	290
RSH-35V820MA32	82	6.3 x 15	0.12	0.20	0.40	400
RSH-35V121MA41	120	8 x 12	0.12	0.17	0.34	506
RSH-35V181MA42	180	8 x 15	0.12	0.13	0.26	637
RSH-35V221MA43	220	8 x 20	0.12	0.095	0.19	760
RSH-35V151MA51	150	10 x 12.5	0.12	0.12	0.24	635
RSH-35V181MA52	180	10 x 16	0.12	0.095	0.19	795
RSH-35V331MA53	330	10 x 20	0.12	0.065	0.13	1010
RSH-35V391MA54	390	10 x 25	0.12	0.055	0.11	1190
RSH-35V561MA55	560	10 x 30	0.12	0.045	0.090	1450
RSH-35V331MA61	330	12.5 x 15	0.12	0.065	0.13	1010
RSH-35V561MA62	560	12.5 x 20	0.12	0.042	0.084	1400
RSH-35V681MA63	680	12.5 x 25	0.12	0.038	0.076	1690
RSH-35V102MA64	1000	12.5 x 30	0.12	0.032	0.064	1950
RSH-35V122MA65	1200	12.5 x 35	0.12	0.028	0.056	2200
RSH-35V152MA66	1500	12.5 x 40	0.12	0.026	0.052	2390
RSH-35V561MA71	560	16 x 15	0.12	0.046	0.092	1360
RSH-35V102MA72	1000	16 x 20	0.12	0.034	0.068	1730
RSH-35V122MA73	1200	16 x 25	0.12	0.028	0.056	2070
RSH-35V182MA74	1800	16 x 31.5	0.12	0.025	0.050	2350
RSH-35V222MA75	2200	16 x 35.5	0.14	0.022	0.044	2550

Radial Type

RSH

Note: Impedance 100 kHz
Allowable Ripple Current 100 kHz at 105°C



RSH Miniature Aluminum Electrolytic Capacitors

Standard Ratings

ELNA PART NO. / WV (V)	CAP. (µF)	SIZE (φx L) (mm)	tan δ	IMPEDANCE (Ω)		Rip Cur. (mAmps)
				20°C	-10°C	
RSH-35V272MA76	2700	16 x 40	0.14	0.020	0.040	2900
RSH-35V681MA81	680	18 x 15	0.12	0.043	0.086	1520
RSH-35V122MA82	1200	18 x 20	0.12	0.036	0.072	1900
RSH-35V182MA83	1800	18 x 25	0.12	0.027	0.054	2200
RSH-35V222MA84	2200	18 x 31.5	0.14	0.023	0.046	2490
RSH-35V272MA85	2700	18 x 35.5	0.14	0.019	0.038	2770
RSH-35V332MA86	3300	18 x 40	0.16	0.018	0.036	3110
50 V						
RSH-50VR47MA21	0.47	5 x 11.5	0.10	3.9	7.8	22
RSH-50V010MA21	1	5 x 11.5	0.10	3.5	7.0	36
RSH-50V2R2MA21	2.2	5 x 11.5	0.10	3.0	6.0	54
RSH-50V3R3MA21	3.3	5 x 11.5	0.10	2.6	5.2	63
RSH-50V4R7MA21	4.7	5 x 11.5	0.10	2.2	4.4	75
RSH-50V100MA21	10	5 x 11.5	0.10	1.4	2.8	110
RSH-50V180MA21	18	5 x 11.5	0.10	0.95	1.9	120
RSH-50V270MA22	27	5 x 15	0.10	0.55	1.1	135
RSH-50V390MA31	39	6.3 x 11.5	0.10	0.36	0.72	148
RSH-50V560MA32	56	6.3 x 15	0.10	0.28	0.56	153
RSH-50V680MA41	68	8 x 12	0.10	0.20	0.40	360
RSH-50V820MA42	82	8 x 15	0.10	0.18	0.36	460
RSH-50V121MA43	120	8 x 20	0.10	0.13	0.26	670
RSH-50V820MA51	82	10 x 12.5	0.10	0.18	0.36	443
RSH-50V101MA52	100	10 x 16	0.10	0.15	0.30	553
RSH-50V181MA53	180	10 x 20	0.10	0.085	0.17	676
RSH-50V221MA54	220	10 x 25	0.10	0.075	0.15	876
RSH-50V331MA55	330	10 x 30	0.10	0.055	0.11	1010
RSH-50V181MA61	180	12.5 x 15	0.10	0.095	0.19	745
RSH-50V331MA62	330	12.5 x 20	0.10	0.060	0.12	979
RSH-50V471MA63	470	12.5 x 25	0.10	0.044	0.088	1180
RSH-50V561MA64	560	12.5 x 30	0.10	0.040	0.080	1310
RSH-50V681MA65	680	12.5 x 35	0.10	0.036	0.072	1470
RSH-50V821MA66	820	12.5 x 40	0.10	0.034	0.068	1590
RSH-50V331MA71	330	16 x 15	0.10	0.065	0.13	982
RSH-50V681MA72	680	16 x 20	0.10	0.045	0.090	1210
RSH-50V821MA73	820	16 x 25	0.10	0.038	0.076	1490
RSH-50V102MA74	1000	16 x 31.5	0.10	0.032	0.064	1890
RSH-50V122MA75	1200	16 x 35.5	0.10	0.028	0.056	2140

ELNA PART NO. / WV (V)	CAP. (µF)	SIZE (φx L) (mm)	tan δ	IMPEDANCE (Ω)		Rip Cur. (mAmps)
				20°C	-10°C	
RSH-50V152MA76	1500	16 x 40	0.10	0.026	0.052	2410
RSH-50V471MA81	470	18 x 15	0.10	0.048	0.096	1180
RSH-50V821MA82	820	18 x 20	0.10	0.036	0.072	1450
RSH-50V102MA83	1000	18 x 25	0.10	0.032	0.064	1720
RSH-50V152MA84	1500	18 x 31.5	0.10	0.026	0.052	1970
RSH-50V182MA85	1800	18 x 35.5	0.10	0.025	0.050	2310
RSH-50V222MA86	2200	18 x 40	0.12	0.024	0.048	2530
63 V						
RSH-63V120MA21	12	5 x 11.5	0.08	1.2	3.6	120
RSH-63V180MA22	18	5 x 15	0.08	0.85	2.6	135
RSH-63V270MA31	27	6.3 x 11.5	0.08	0.55	1.7	148
RSH-63V390MA32	39	6.3 x 15	0.08	0.38	1.1	153
RSH-63V470MA41	47	8 x 12	0.08	0.32	0.96	360
RSH-63V680MA42	68	8 x 15	0.08	0.24	0.72	469
RSH-63V820MA43	82	8 x 20	0.08	0.17	0.51	682
RSH-63V560MA51	56	10 x 12.5	0.08	0.23	0.69	448
RSH-63V680MA52	68	10 x 16	0.08	0.17	0.51	553
RSH-63V121MA53	120	10 x 20	0.08	0.12	0.36	676
RSH-63V151MA54	150	10 x 25	0.08	0.10	0.30	876
RSH-63V181MA55	180	10 x 30	0.08	0.085	0.26	1020
RSH-63V151MA61	150	12.5 x 15	0.08	0.11	0.33	745
RSH-63V221MA62	220	12.5 x 20	0.08	0.075	0.23	979
RSH-63V271MA63	270	12.5 x 25	0.08	0.065	0.20	1180
RSH-63V391MA64	390	12.5 x 30	0.08	0.055	0.17	1310
RSH-63V471MA65	470	12.5 x 35	0.08	0.048	0.14	1470
RSH-63V561MA66	560	12.5 x 40	0.08	0.042	0.13	1590
RSH-63V221MA71	220	16 x 15	0.08	0.080	0.24	982
RSH-63V391MA72	390	16 x 20	0.08	0.057	0.17	1210
RSH-63V471MA73	470	16 x 25	0.08	0.052	0.16	1490
RSH-63V681MA74	680	16 x 31.5	0.08	0.042	0.13	1890
RSH-63V821MA75	820	16 x 35.5	0.08	0.036	0.11	2140
RSH-63V102MA76	1000	16 x 40	0.08	0.032	0.096	2410
RSH-63V331MA81	330	18 x 15	0.08	0.065	0.20	1200
RSH-63V471MA82	470	18 x 20	0.08	0.058	0.17	1460
RSH-63V681MA83	680	18 x 25	0.08	0.050	0.15	1740
RSH-63V821MA84	820	18 x 31.5	0.08	0.042	0.13	1990
RSH-63V102MA85	1000	18 x 35.5	0.08	0.035	0.11	2340

Radial Type

RSH

Note: Impedance 100 kHz
Allowable Ripple Current 100 kHz at 105°C



RSH Miniature Aluminum Electrolytic Capacitors

Standard Ratings

ELNA PART NO. / WV (V)	CAP. (μ F)	SIZE (ϕ x L) (mm)	tan δ	IMPEDANCE (Ω)		Rip Cur. (mA _{rms})
				20°C	-10°C	
RSH-63V122MA86	1200	18 x 40	0.08	0.032	0.096	2560
100 V						
RSH-100V5R6MA21	5.6	5 x 11.5	0.07	1.9	7.6	57.0
RSH-100V8R2MA22	8.2	5 x 15	0.07	1.3	5.2	74.0
RSH-100V120MA31	12	6.3 x 11.5	0.07	1.1	4.4	78.0
RSH-100V180MA32	18	6.3 x 15	0.07	0.62	2.5	85.0
RSH-100V220MA41	22	8 x 12	0.07	0.53	2.1	275
RSH-100V330MA42	33	8 x 15	0.07	0.35	1.4	360
RSH-100V390MA43	39	8 x 20	0.07	0.27	1.1	490
RSH-100V270MA51	27	10 x 12.5	0.07	0.47	1.9	319
RSH-100V330MA52	33	10 x 16	0.07	0.32	1.3	424
RSH-100V560MA53	56	10 x 20	0.07	0.25	1.0	499
RSH-100V680MA54	68	10 x 25	0.07	0.18	0.72	634
RSH-100V101MA55	100	10 x 30	0.07	0.15	0.60	739
RSH-100V680MA61	68	12.5 x 15	0.07	0.20	0.80	613
RSH-100V101MA62	100	12.5 x 20	0.07	0.13	0.52	805
RSH-100V121MA63	120	12.5 x 25	0.07	0.11	0.44	857
RSH-100V181MA64	180	12.5 x 30	0.07	0.090	0.36	1120
RSH-100V221MA65	220	12.5 x 35	0.07	0.075	0.30	1240
RSH-100V271MA66	270	12.5 x 40	0.07	0.060	0.24	1330
RSH-100V121MA71	120	16 x 15	0.07	0.13	0.52	706
RSH-100V181MA72	180	16 x 20	0.07	0.11	0.44	916
RSH-100V221MA73	220	16 x 25	0.07	0.081	0.32	1290
RSH-100V331MA74	330	16 x 31.5	0.07	0.059	0.23	1630
RSH-100V391MA75	390	16 x 35.5	0.07	0.052	0.21	1750
RSH-100V471MA76	470	16 x 40	0.07	0.045	0.18	1920
RSH-100V151MA81	150	18 x 15	0.07	0.12	0.48	871
RSH-100V271MA82	270	18 x 20	0.07	0.085	0.34	1170
RSH-100V331MA83	330	18 x 25	0.07	0.071	0.28	1500
RSH-100V391MA84	390	18 x 31.5	0.07	0.058	0.23	1630
RSH-100V561MA85	560	18 x 35.5	0.07	0.054	0.22	1920
RSH-100V681MA86	680	18 x 40	0.07	0.041	0.16	2100

Note: Impedance 100 kHz
Allowable Ripple Current 100 kHz at 105°C

Radial Type

RSH