

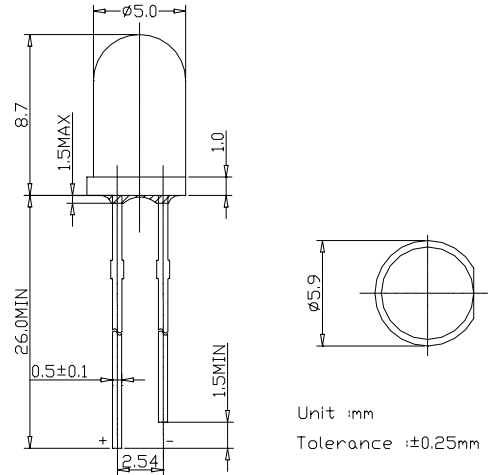
### ■Features

- 5mm Standard Directivity
- Water clear Type
- Superior Weather-resistance
- UV Resistant Epoxy
- RoHS Compliant

### ■Applications

- Automotive Dashboard Lighting
- Traffic signal lamp
- Back Lighting

### ■Outline Dimension



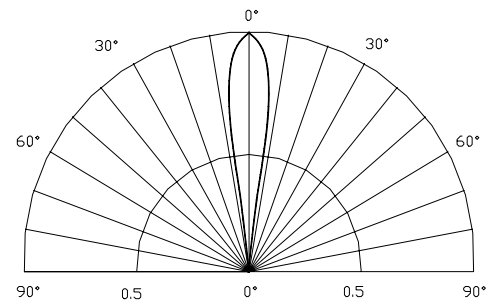
### ■Absolute Maximum Rating

(Ta=25 °C)

| Item                       | Symbol    | Value      | Unit |
|----------------------------|-----------|------------|------|
| DC Forward Current         | $I_F$     | 20         | mA   |
| Pulse Forward Current*     | $I_{FP}$  | 70         | mA   |
| Reverse Voltage            | $V_R$     | 5          | V    |
| Power Dissipation          | $P_D$     | 50         | mW   |
| Operating Temperature      | $T_{opr}$ | -30 ~ +85  |      |
| Storage Temperature        | $T_{stg}$ | -30 ~ +100 |      |
| Lead Soldering Temperature | $T_{sol}$ | 260 /5sec  | -    |

\*Pulse width Max.10ms Duty ratio max 1/10

### ■Directivity



### ■Electrical -Optical Characteristics

(Ta=25 °C)

| Item               | Symbol          | Condition  | Min. | Typ. | Max. | Unit    |
|--------------------|-----------------|------------|------|------|------|---------|
| DC Forward Voltage | $V_F$           | $I_F=20mA$ | 1.8  | 2.0  | 2.4  | V       |
| DC Reverse Current | $I_R$           | $V_R=5V$   | -    | -    | 10   | $\mu A$ |
| Domi. Wavelength   | $\lambda_D$     | $I_F=20mA$ | 585  | 590  | 595  | nm      |
| Luminous Intensity | $I_v$           | $I_F=20mA$ | 4200 | 5000 | 5800 | mcd     |
| 50% Power Angle    | $2\theta_{1/2}$ | $I_F=20mA$ | -    | 15   | -    | deg     |