

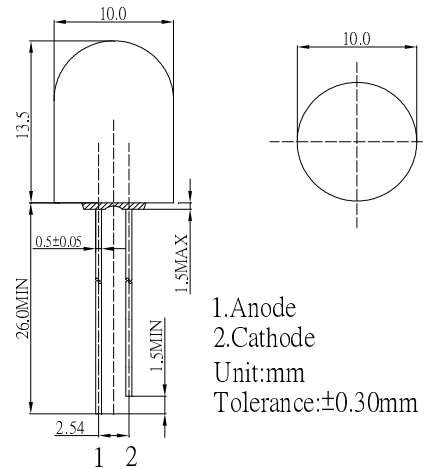
■ **Features**

- High Luminous LEDs
- 10mm Round Standard Directivity
- UV Resistant Epoxy
- Color Diffused (White Diffused for White LEDs)

■ **Applications**

- Electronic Signs And Signals
- Small Area Illuminations
- Back Lighting
- Other Lighting

■ **Outline Dimension**

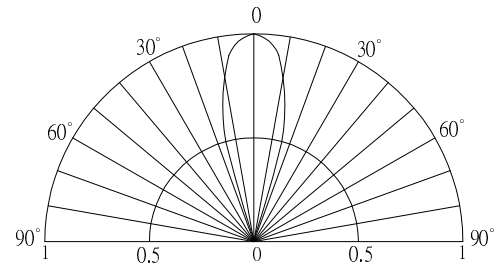


■ **Absolute Maximum Rating**

(Ta=25°C)

Item	Symbol	Value		Unit
		Y/O/R	W/M/B/PG	
DC Forward Current	I <sub>F</sub>	30	30	mA
Pulse Forward Current#	I <sub>FP</sub>	100	100	mA
Reverse Voltage	V <sub>R</sub>	5	5	V
Power Dissipation	P <sub>D</sub>	78	108	mW
Operating Temperature	Topr	-30 ~ +85		°C
Storage Temperature	Tstg	-40~ +100		°C
Lead Soldering Temperature	Tsol	260°C/5sec		-

■ **Directivity**



#Pulse width Max.10ms Duty ratio max 1/10

■ **Electrical -Optical Characteristics**

(Ta=25°C)

Part Number	Color		V <sub>F</sub> (V)*			I <sub>R</sub> (μA)	I <sub>v</sub> (mcd)*			Wd (nm)*			2θ1/2(deg)
			Min.	Typ.	Max.	Max.	Min.	Typ.	Max.	Min.	Typ.	Max.	Typ.
			I <sub>F</sub> =20mA			V <sub>R</sub> =5V	I <sub>F</sub> =20mA						
OSW5YKA132B	White	W	2.8	3.1	3.6	10	750	1120	-	X=0.27,Y=0.28			30
OSM5YKA132B	Warm White	M	2.8	3.1	3.6	10	500	750	-	X=0.45,Y=0.41			30
OSB5YUA134B	Blue	B	2.8	3.1	3.6	10	220	330	-	465	470	475	30
OSG5TAA134B	Pure Green	PG	2.8	3.1	3.6	10	500	750	-	520	525	530	30
OSY5JAA134B	Yellow	Y	1.8	2.1	2.6	10	220	330	-	585	590	595	30
OSO5JAA134B	Orange	O	1.8	2.1	2.6	10	220	330	-	600	605	610	30
OSR5JAA134B	Red	R	1.8	2.1	2.6	10	220	330	-	620	625	630	30

\*1 Tolerance of measurements of chromaticity coordinate is +10%

\*2 Tolerance of measurements of dominant wavelength is +1nm

\*3 Tolerance of measurements of luminous intensity is +15%

\*4 Tolerance of measurements of forward voltage is +0.1V

LED & Application Technologies

