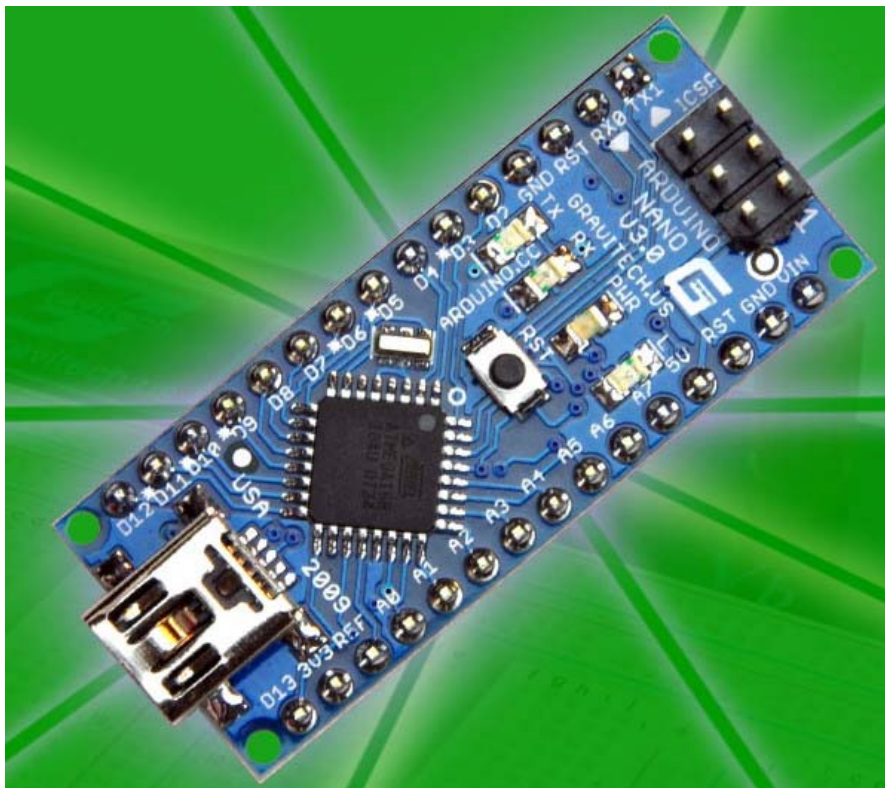


# *Arduino Nano (V3.0)*

## *User Manual*



Released under the Creative Commons Attribution Share-Alike 2.5 License

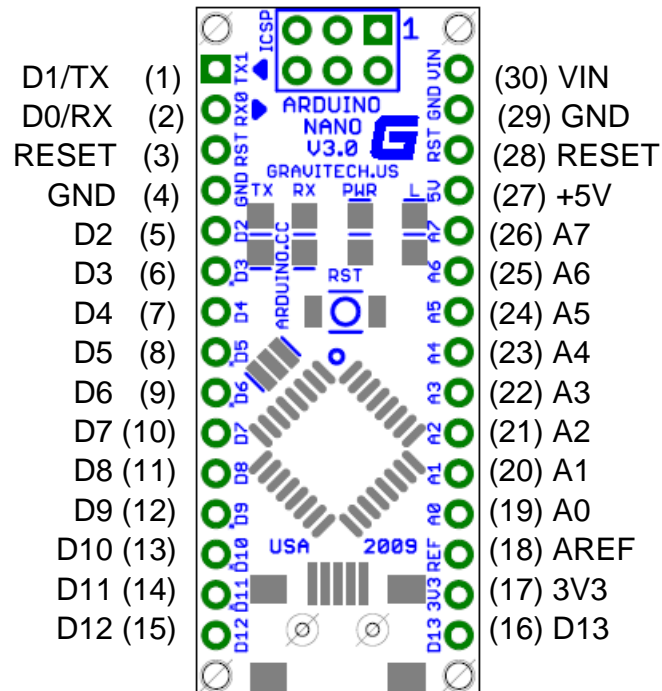
<http://creativecommons.org/licenses/by-sa/2.5/>

More information:

[www.arduino.cc](http://www.arduino.cc)

Rev 3.0

## Arduino Nano Pin Layout



| Pin No.   | Name   | Type            | Description  |
|-----------|--------|-----------------|--|
| 1-2, 5-16 | D0-D13 | I/O             | Digital input/output port 0 to 13  |
| 3, 28     | RESET  | Input           | Reset (active low)   |
| 4, 29     | GND    | PWR             | Supply ground  |
| 17        | 3V3    | Output          | +3.3V output (from FTDI)   |
| 18        | AREF   | Input           | ADC reference  |
| 19-26     | A0-A7  | Input           | Analog input channel 0 to 7  |
| 27        | +5V    | Output or Input | +5V output (from on-board regulator) or +5V (input from external power supply) |
| 30        | VIN    | PWR             | Supply voltage   |

# Arduino Nano Mechanical Drawing

