

REVISIONS					
P	LTR	DESCRIPTION	DATE	DWN	APVD
	AM	ECO-20-004897	24AUG2020	SB	JB

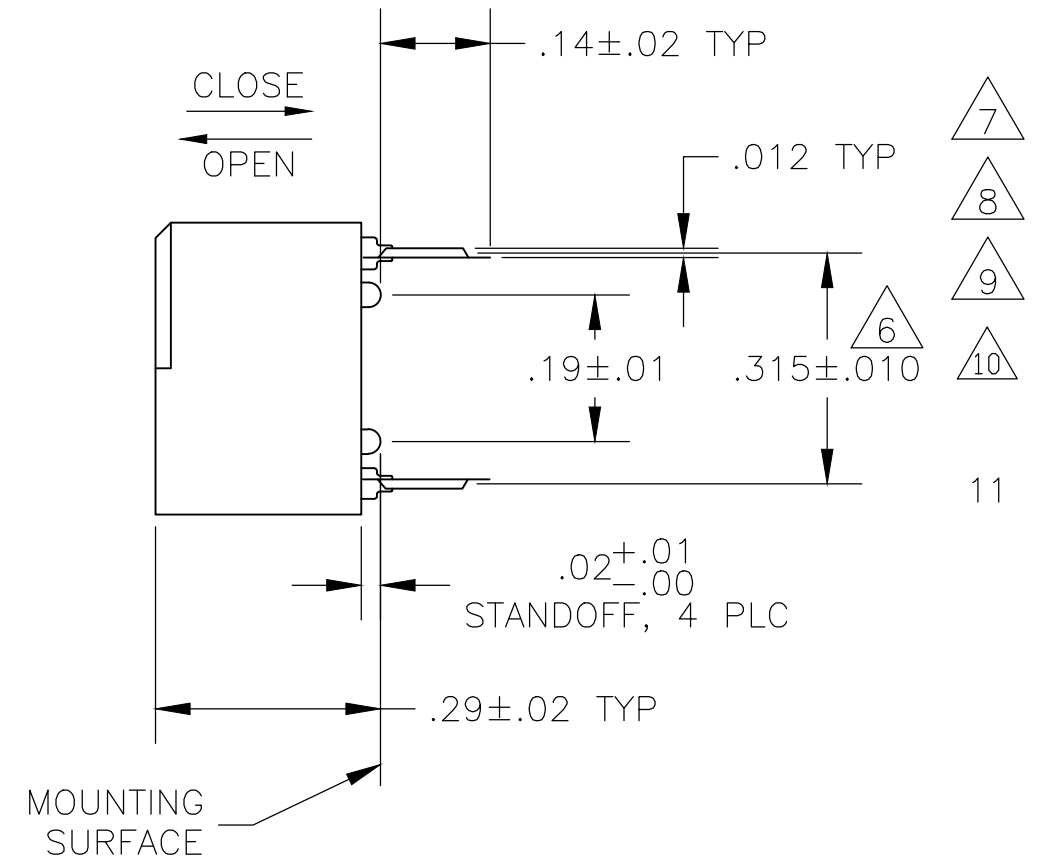
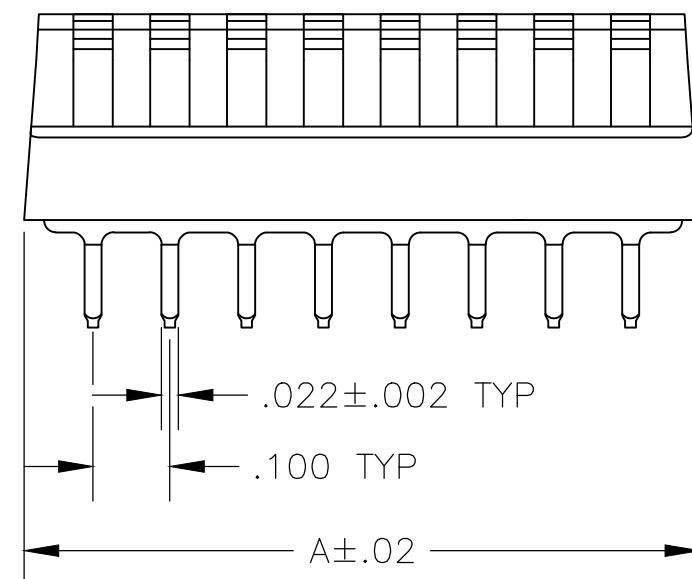
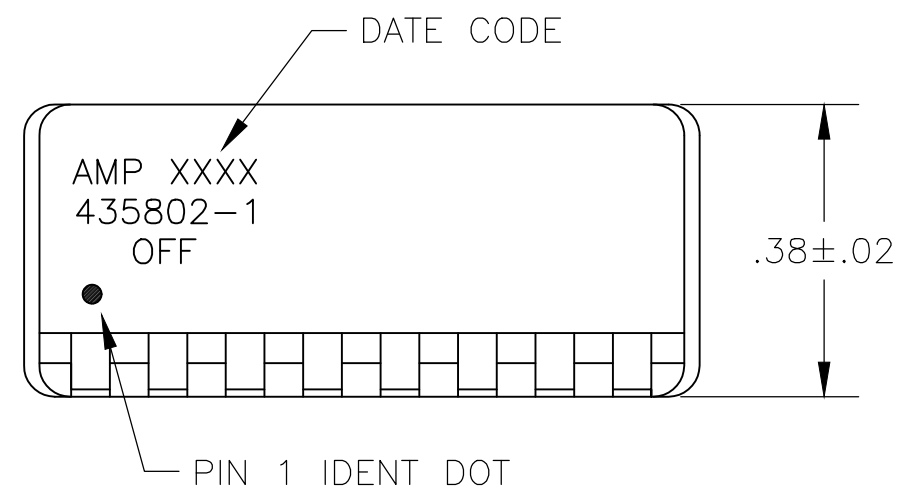
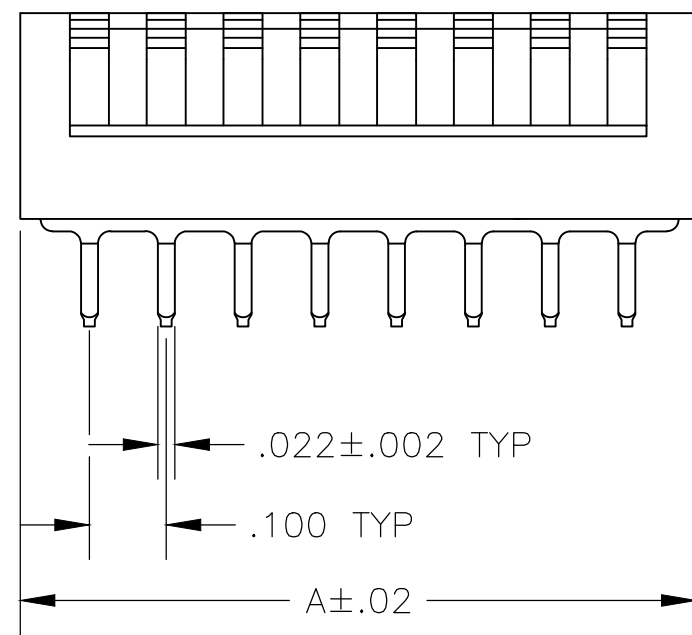
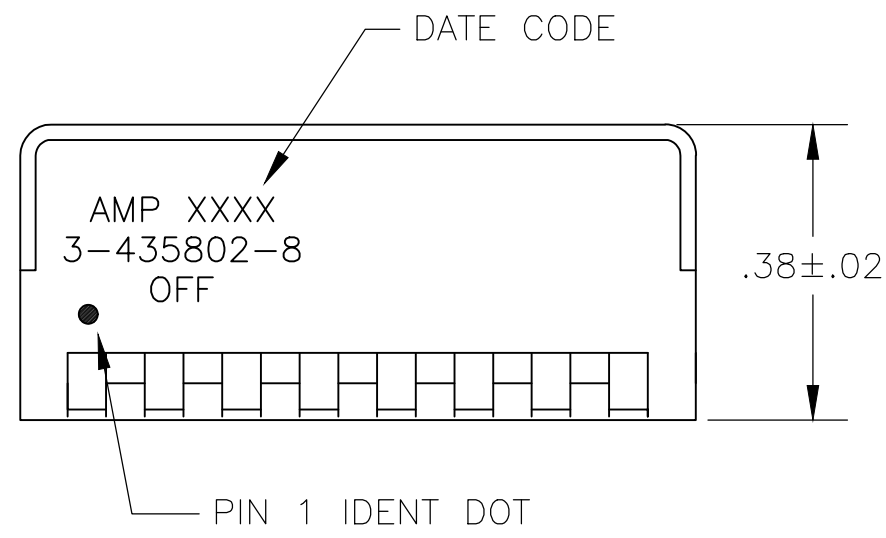


FIG 1

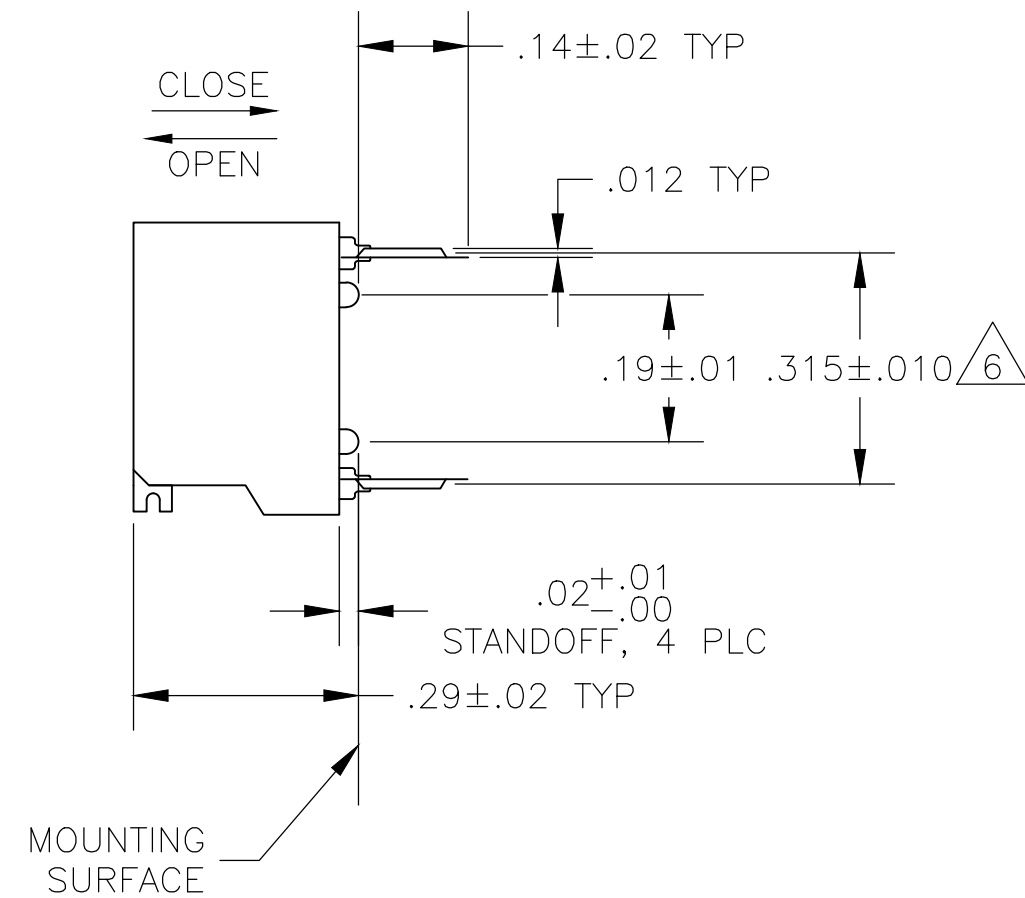
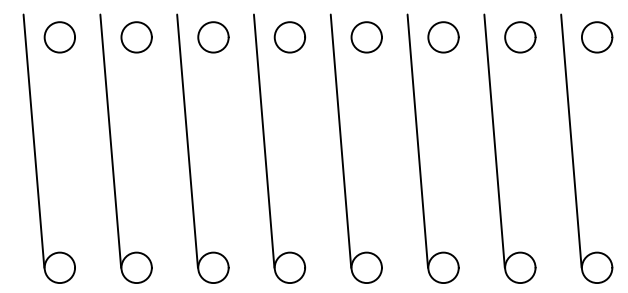


FIG 2

- △7 NO POSITION MARKING.
- △8 NO PART NO. MARKING.
- △9 STRIPPABLE TAPE SEAL, SEE FIGURE 8.
- △10 OBSOLETE PARTS: OBSOLETE CIS STREAMLINING PER D.RENAUD/D.SINISI
- 11 MARKS WILL BE ADDED BY LASER MARK PROCESS.

- 1 FOR ADDITIONAL SPECIFICATIONS SEE AMP PRODUCT SPEC 108-7519.
- 2 SWITCH SHOWN IN OPEN POSITION.
- 3 ALL CHARACTERS AND ROCKERS ARE WHITE, HOUSING IS BLACK.
- 4 LASER MARKING WILL VARY ON 2 AND 3 POSITION TOPS DUE TO SPACE RESTRICTIONS.
- △5 STRIPPABLE TRANSPARENT SEAL, SEE FIG 6.
- △6 .315 DIMENSION APPLIES AT TERMINAL TIPS. TERMINALS ARE .300^{+.010}_{-.000} AT MOUNTING SURFACE.

FIG	FIG	FIG	PROTECTIVE SEAL	NO OF POSN	PART NO.
FIG 2	FIG 3A& 7	—	△5	1.08	10
FIG 1	FIG 3B	△7 △8	△9	.88	8
—	—	—	△5	.58	5
—	—	△7 △8	△5	.88	8
—	—	—	△5	.48	4
—	—	—	—	.28	2
—	—	△7	△5	.28	2
—	—	△7	△5	1.08	10
—	—	—	—	.88	8
—	—	△7	△5	.88	8
—	—	—	—	.48	4
—	—	—	—	1.28	12
—	—	—	—	1.18	11
—	—	—	—	1.08	10
—	—	—	△5	.98	9
—	—	—	—	.78	7
—	—	—	—	.68	6
—	—	—	—	.58	5
—	—	—	—	.48	4
—	—	—	—	.38	3
—	—	—	△5	.28	2
—	—	—	—	1.28	12
—	—	—	—	.28	2
—	—	—	△5	.88	8
—	—	—	—	1.08	10
—	—	—	—	.98	9
—	—	—	—	.78	7
—	—	—	—	.68	6
—	—	—	—	.58	5
—	—	—	—	.48	4
—	—	—	—	.38	3
—	—	—	—	.88	8
HOUSING	MARKING	PROTECTIVE SEAL	A	NO OF POSN	PART NO.

435802-1 SHOWN

THIS DRAWING IS A CONTROLLED DOCUMENT.

DIMENSIONS: INCHES	TOLERANCES UNLESS OTHERWISE SPECIFIED:	DWN R. TALLEY 9-19-89	TE Connectivity Ltd.
		CHK R. MILLER 9-19-89	
		APVD H. LEITER 9-19-89	NAME
		PRODUCT SPEC	SWITCH ASSY, DIP, TYPE C, 7000 SERIES, SPST, SIDE ACTUATED
		APPLICATION SPEC	
		WEIGHT	SIZE A2 CAGE CODE 00779 DRAWING NO C=435802 RESTRICTED TO
MATERIAL HOUSING & ROCKERS: POLYESTER CONTACTS: BERYLLIUM COPPER	FINISH CONTACTS: PLATED .000030 MIN GOLD IN CONTACT AREA OVER .000050 MIN NICKEL	CUSTOMER DRAWING	SCALE 4:1 SHEET 1 OF 2 REV AM

REVISIONS					
P	LTR	DESCRIPTION	DATE	DWN	APVD
-	-	SEE SHEET 1	-	-	-

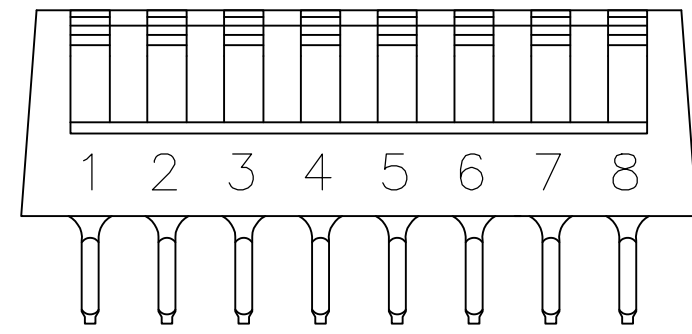


FIG 3A

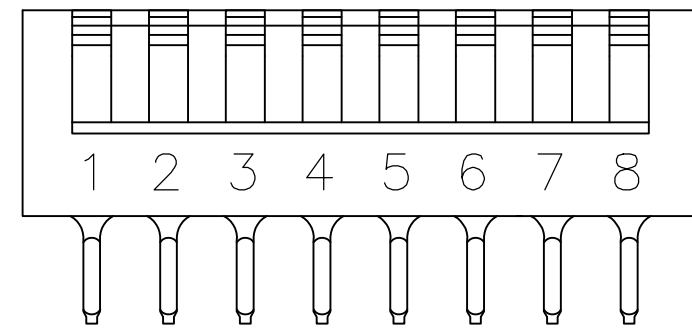


FIG 3B

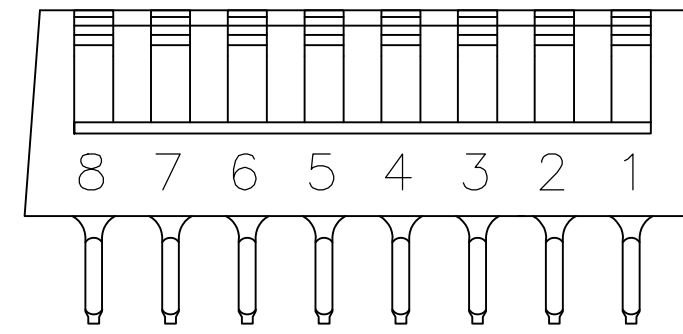


FIG 4

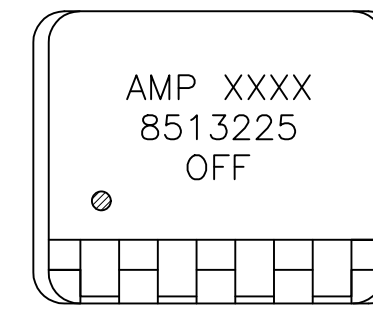
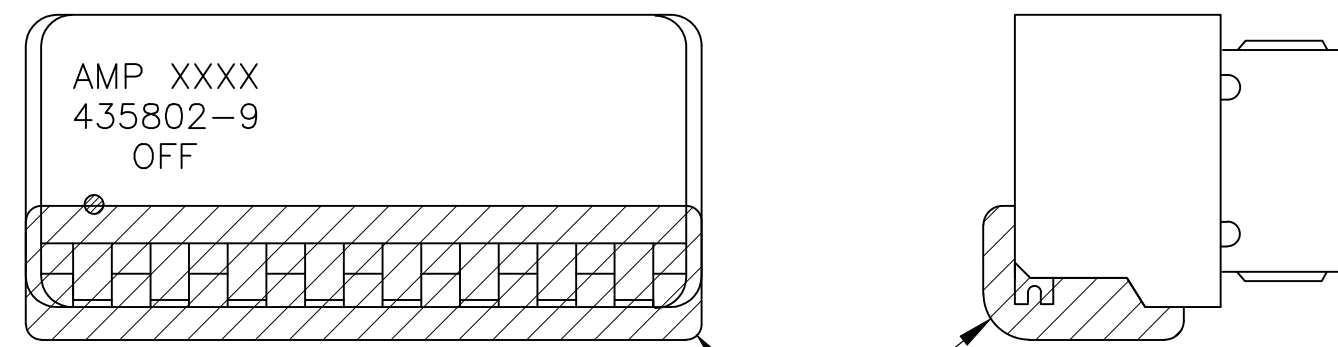
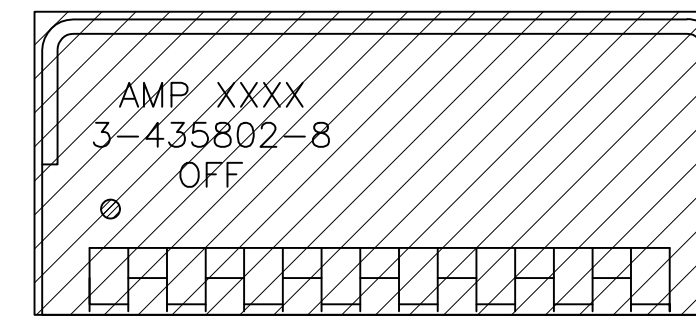


FIG 5



PROTECTIVE SEAL
FIG 6



PROTECTIVE SEAL

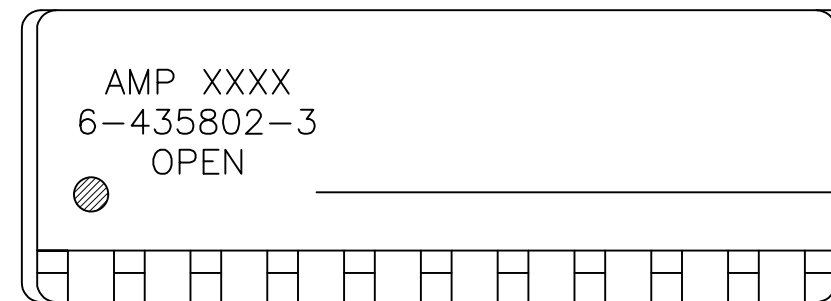


FIG 7

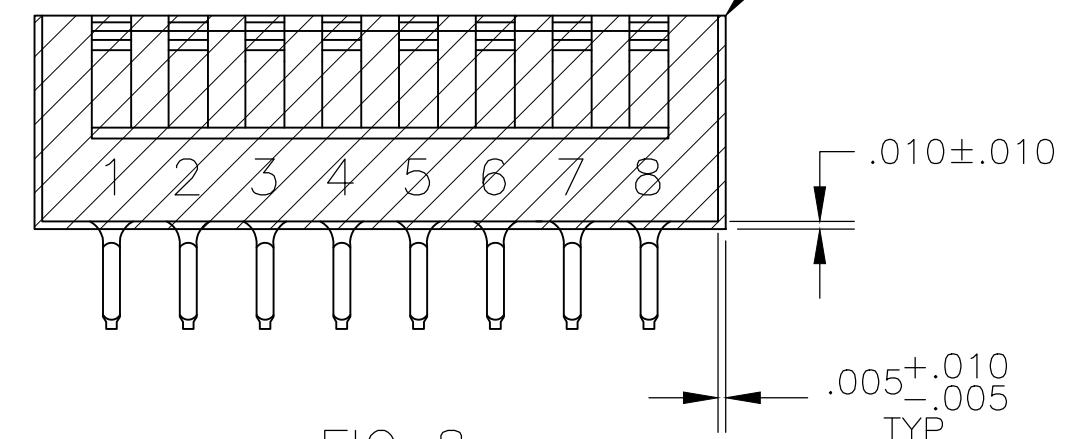


FIG 8

THIS DRAWING IS A CONTROLLED DOCUMENT.		DWN R. TALLEY 9-19-89	TE Connectivity Ltd.			
DIMENSIONS: INCHES		CHK R. MILLER 9-19-89				
TOLERANCES UNLESS OTHERWISE SPECIFIED:		APVD H. LEITER 9-19-89	NAME SWITCH ASSY, DIP, TYPE C, 7000 SERIES, SPST, SIDE ACTUATED			
		PRODUCT SPEC	SIZE	CAGE CODE	DRAWING NO	RESTRICTED TO
MATERIAL SEE SHEET 1		FINISH SEE SHEET 1	WEIGHT -	A2	00779	C=435802
		CUSTOMER DRAWING	SCALE 4:1	SHEET 2 OF 2	REV AM	

Mouser Electronics

Authorized Distributor

Click to View Pricing, Inventory, Delivery & Lifecycle Information:

[TE Connectivity:](#)

[1-435802-9](#)