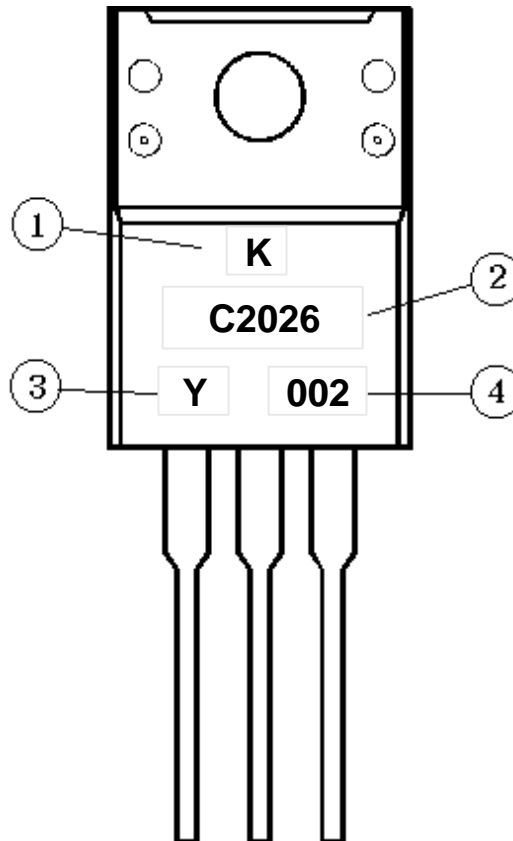


1. Marking method

Laser Marking or Ink Marking

2. Marking



No.	Item	Marking	Description		
1	KEC	K	KEC CORP.		
2	Device Name	C2026	KTC2026		
3	hFE Grade	Y	Y,GR		
4	Lot No.	002	0	Year	0 ~ 9 : 2000~2009
			02	Week	02 : 2nd Week