

DATA SHEET

BFR94A

NPN 3.5 GHz wideband transistor

Product specification
File under Discrete Semiconductors, SC14

September 1995

NPN 3.5 GHz wideband transistor

BFR94A

DESCRIPTION

NPN resistance-stabilized transistor in a SOT122E capstan envelope.

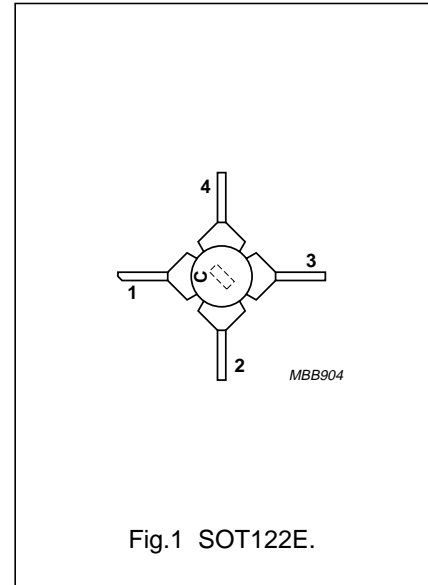
It features extremely low cross modulation, intermodulation and second order intermodulation distortion. Due to its high transition frequency, it has a high power gain, in conjunction with good wideband properties, and low noise up to high frequencies.

It is primarily intended for CATV and MATV applications.

The BFR94A is a replacement for the BFR94. The SOT122E footprint is similar to that of the SOT48, used for the BFR94.

PINNING

PIN	DESCRIPTION
1	collector
2	emitter
3	base
4	emitter



QUICK REFERENCE DATA

SYMBOL	PARAMETER	CONDITIONS	TYP.	MAX.	UNIT
V_{CBO}	collector-base voltage	open emitter	–	30	V
V_{CEO}	collector-emitter voltage	open base	–	25	V
I_C	DC collector current		–	150	mA
P_{tot}	total power dissipation	up to $T_c = 145\text{ °C}$; $f > 1\text{ MHz}$	–	3.5	W
f_T	transition frequency	$I_c = 90\text{ mA}$; $V_{CE} = 20\text{ V}$; $f = 500\text{ MHz}$; $T_j = 25\text{ °C}$	3.5	–	GHz
F	noise figure	$I_c = 90\text{ mA}$; $V_{CE} = 20\text{ V}$; $f = 200\text{ MHz}$; $T_{amb} = 25\text{ °C}$	8	10	dB
d_{im}	intermodulation distortion	$I_c = 90\text{ mA}$; $V_{CE} = 20\text{ V}$; $V_o = 60\text{ dBmV}$; $f_{(p+q-r)} = 194.25\text{ MHz}$	–63	–	dB
d_2	second order intermodulation distortion	$I_c = 90\text{ mA}$; $V_{CE} = 20\text{ V}$; $V_o = 48\text{ dBmV}$; $f_p + f_q = 210\text{ MHz}$	–	–56	dB

WARNING

Product and environmental safety - toxic materials

This product contains beryllium oxide. The product is entirely safe provided that the BeO disc is not damaged. All persons who handle, use or dispose of this product should be aware of its nature and of the necessary safety precautions. After use, dispose of as chemical or special waste according to the regulations applying at the location of the user. It must never be thrown out with the general or domestic waste.

NPN 3.5 GHz wideband transistor

BFR94A

LIMITING VALUES

In accordance with the Absolute Maximum System (IEC 134).

SYMBOL	PARAMETER	CONDITIONS	MIN.	MAX.	UNIT
V_{CBO}	collector-base voltage	open emitter	–	30	V
V_{CEO}	collector-emitter voltage	open base	–	25	V
V_{CER}	collector-emitter voltage	$R_{BE} = 100 \Omega$	–	35	V
V_{EBO}	emitter-base voltage	open collector	–	3	V
I_C	DC collector current		–	150	mA
I_{CM}	peak collector current	$f > 1 \text{ MHz}$	–	300	mA
P_{tot}	total power dissipation	up to $T_c = 145 \text{ }^\circ\text{C}$; $f > 1 \text{ MHz}$	–	3.5	W
T_{stg}	storage temperature		–65	200	$^\circ\text{C}$
T_j	junction temperature		–	200	$^\circ\text{C}$

THERMAL RESISTANCE

SYMBOL	PARAMETER	THERMAL RESISTANCE
$R_{th\ j-c}$	thermal resistance from junction to case	15 K/W

NPN 3.5 GHz wideband transistor

BFR94A

CHARACTERISTICS

$T_j = 25\text{ °C}$ unless otherwise specified.

SYMBOL	PARAMETER	CONDITIONS	MIN.	TYP.	MAX.	UNIT
I_{CBO}	collector cut-off current	$I_E = 0; V_{CB} = 20\text{ V}$	–	–	50	μA
h_{FE}	DC current gain	$I_C = 50\text{ mA}; V_{CE} = 20\text{ V}$	30	–	–	
		$I_C = 150\text{ mA}; V_{CE} = 20\text{ V}$	30	–	–	
f_T	transition frequency	$I_C = 90\text{ mA}; V_{CE} = 20\text{ V}; f = 500\text{ MHz}$	–	3.5	–	GHz
		$I_C = 150\text{ mA}; V_{CE} = 20\text{ V}; f = 500\text{ MHz}$	–	3.5	–	GHz
C_c	collector capacitance	$I_E = I_E = 0; V_{CB} = 20\text{ V}; f = 1\text{ MHz}$	–	3.5	–	pF
C_e	emitter capacitance	$I_C = I_C = 0; V_{EB} = 0.5\text{ V}; f = 1\text{ MHz}$	–	12	–	pF
C_{re}	feedback capacitance	$I_C = 10\text{ mA}; V_{CE} = 20\text{ V}; f = 1\text{ MHz}$	–	1.3	–	pF
C_{cs}	collector-stud capacitance	$f = 1\text{ MHz}$	–	2	–	pF
G_{UM}	maximum unilateral power gain (note 1)	$I_C = 90\text{ mA}; V_{CE} = 20\text{ V}; f = 500\text{ MHz}; T_{amb} = 25\text{ °C}$	–	13.5	–	dB
F	noise figure	$I_C = 90\text{ mA}; V_{CE} = 20\text{ V}; f = 200\text{ MHz}; T_{amb} = 25\text{ °C}$	–	8	10	dB
		$I_C = 90\text{ mA}; V_{CE} = 20\text{ V}; f = 500\text{ MHz}; T_{amb} = 25\text{ °C}$	–	5	–	dB
d_{im}	intermodulation distortion	note 2	–	–63	–	dB
d_2	second order intermodulation distortion	note 3	–	–	–56	dB
V_o	output voltage	see Fig.2 and note 4	–	700	–	mV

Notes

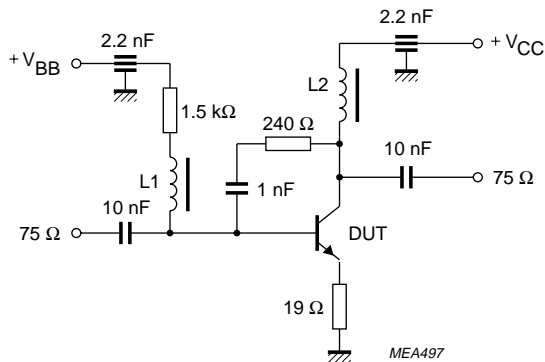
1. G_{UM} is the maximum unilateral power gain, assuming S_{12} is zero and

$$G_{UM} = 10 \log \left(\frac{|S_{21}|^2}{(1 - |S_{11}|^2)(1 - |S_{22}|^2)} \right) \text{ dB.}$$

2. $I_C = 90\text{ mA}; V_{CE} = 20\text{ V}; R_L = 75\ \Omega;$
 $V_p = V_o = 60\text{ dBmV}$ at $f_p = 196.25\text{ MHz};$
 $V_q = V_o - 6\text{ dB}$ at $f_q = 203.25\text{ MHz};$
 $V_r = V_o - 6\text{ dB}$ at $f_r = 205.25\text{ MHz};$
 measured at $f_{(p+q-r)} = 194.25\text{ MHz}.$
3. $I_C = 90\text{ mA}; V_{CE} = 20\text{ V};$
 $f_p = 66\text{ MHz}; f_q = 144\text{ MHz}; f_p + f_q = 210\text{ MHz}; V_o = 48\text{ dBmV}.$
4. $d_{im} = -60\text{ dB}$ (DIN 45004B); $I_C = 90\text{ mA}; V_{CE} = 20\text{ V}; R_L = 75\ \Omega; T_{amb} = 25\text{ °C};$
 $V_p = V_o$ at $d_{im} = -60\text{ dB}; f_p = 495.25\text{ MHz};$
 $V_q = V_o - 6\text{ dB}; f_q = 503.25\text{ MHz};$
 $V_r = V_o - 6\text{ dB}; f_r = 505.25\text{ MHz};$
 measured at $f_{(p+q-r)} = 493.25\text{ MHz}.$

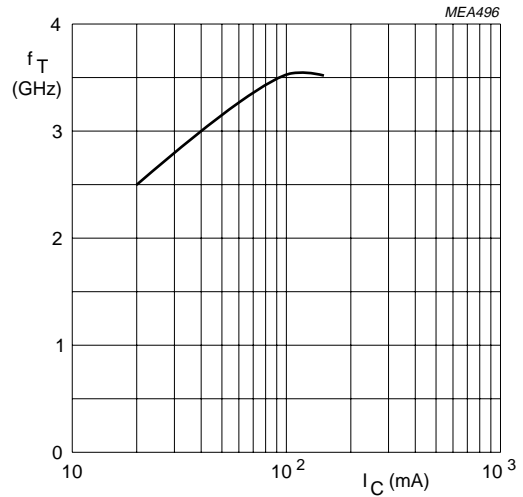
NPN 3.5 GHz wideband transistor

BFR94A



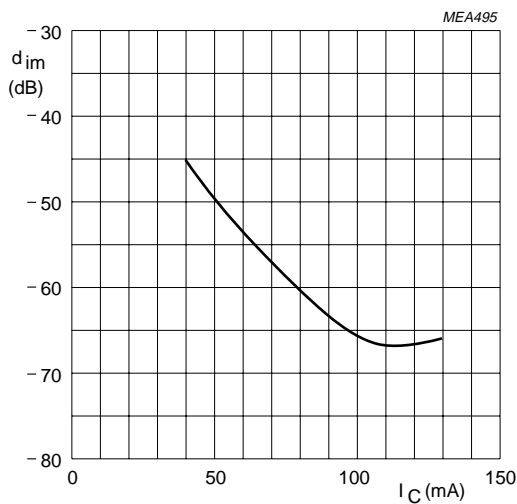
L1 = L2 = 5 μ H Ferroxcube choke, catalogue number 3122 108 20153.

Fig.2 Intermodulation distortion MATV test circuit.



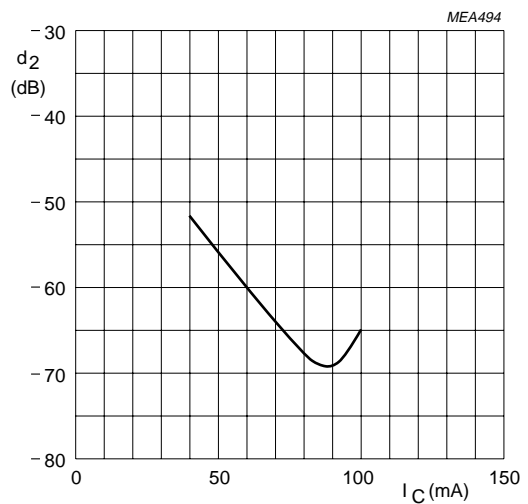
$V_{CE} = 20$ V; $f = 500$ MHz; $T_j = 25$ °C.

Fig.3 Transition frequency as a function of collector current.



Measured in CATV test circuit.
 $V_{CE} = 20$ V; $V_o = 60$ dBmV;
 $f_{(p+q-r)} = 194.25$ MHz.

Fig.4 Intermodulation distortion as a function of collector current.

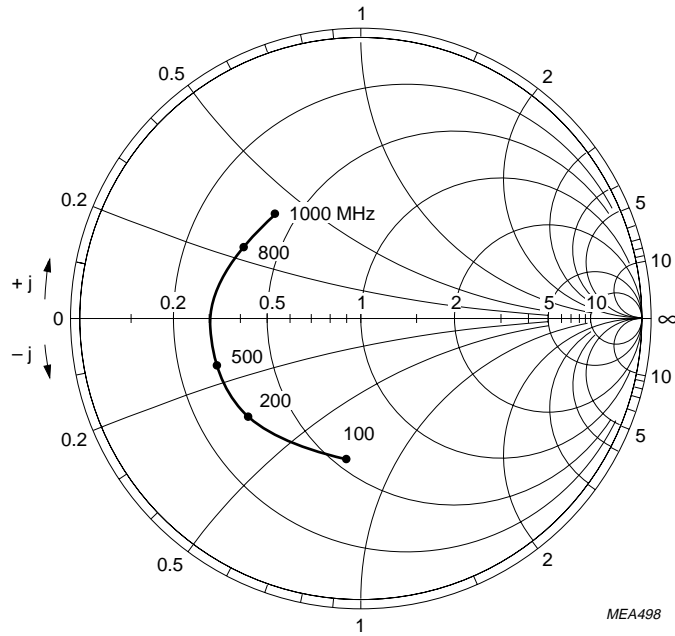


Measured in CATV test circuit.
 $V_{CE} = 20$ V; $V_o = 48$ dBmV; $f = 210$ MHz.

Fig.5 Second order intermodulation distortion as a function of collector current.

NPN 3.5 GHz wideband transistor

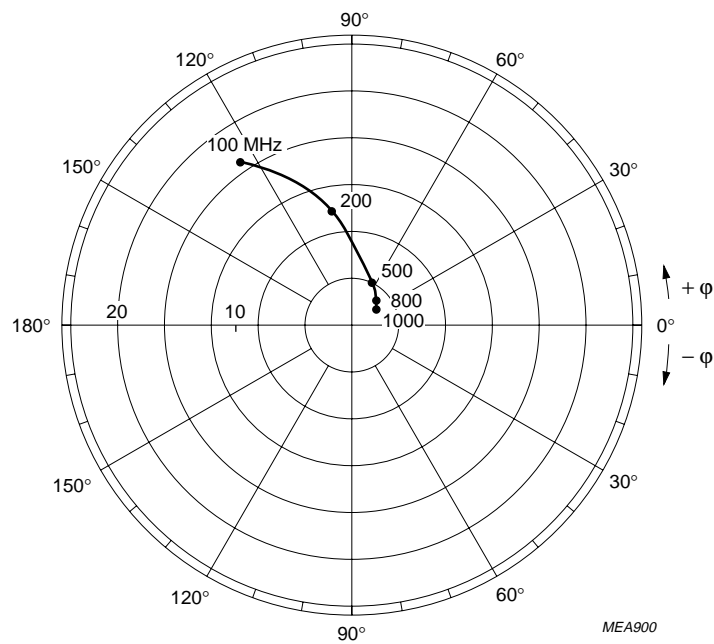
BFR94A



$I_C = 90 \text{ mA}$; $V_{CE} = 20 \text{ V}$; $T_{amb} = 25 \text{ }^\circ\text{C}$.
 $Z_0 = 50 \text{ } \Omega$.

MEA498

Fig.6 Common emitter input reflection coefficient (S_{11}).



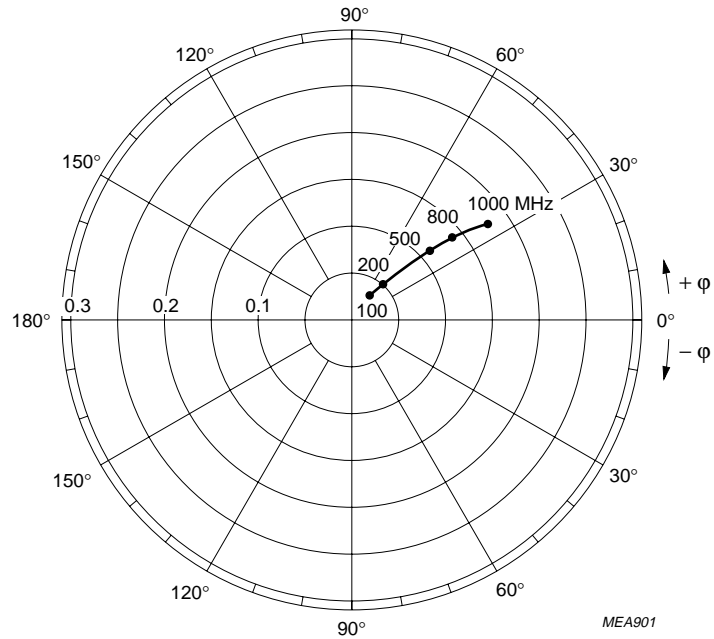
$I_C = 90 \text{ mA}$; $V_{CE} = 20 \text{ V}$; $T_{amb} = 25 \text{ }^\circ\text{C}$.

MEA900

Fig.7 Common emitter forward transmission coefficient (S_{21}).

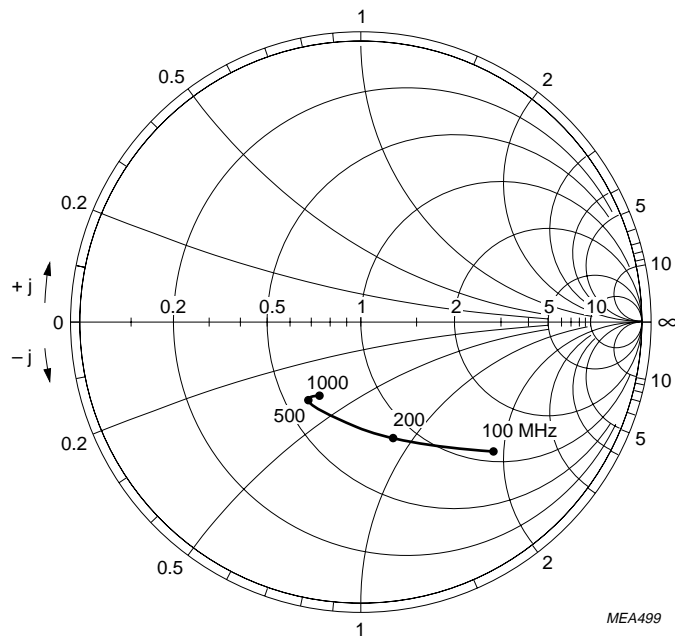
NPN 3.5 GHz wideband transistor

BFR94A



$I_C = 90 \text{ mA}$; $V_{CE} = 20 \text{ V}$; $T_{amb} = 25 \text{ }^\circ\text{C}$.

Fig.8 Common emitter reverse transmission coefficient (S_{12}).



$I_C = 90 \text{ mA}$; $V_{CE} = 20 \text{ V}$; $T_{amb} = 25 \text{ }^\circ\text{C}$.
 $Z_0 = 50 \text{ } \Omega$.

Fig.9 Common emitter output reflection coefficient (S_{22}).

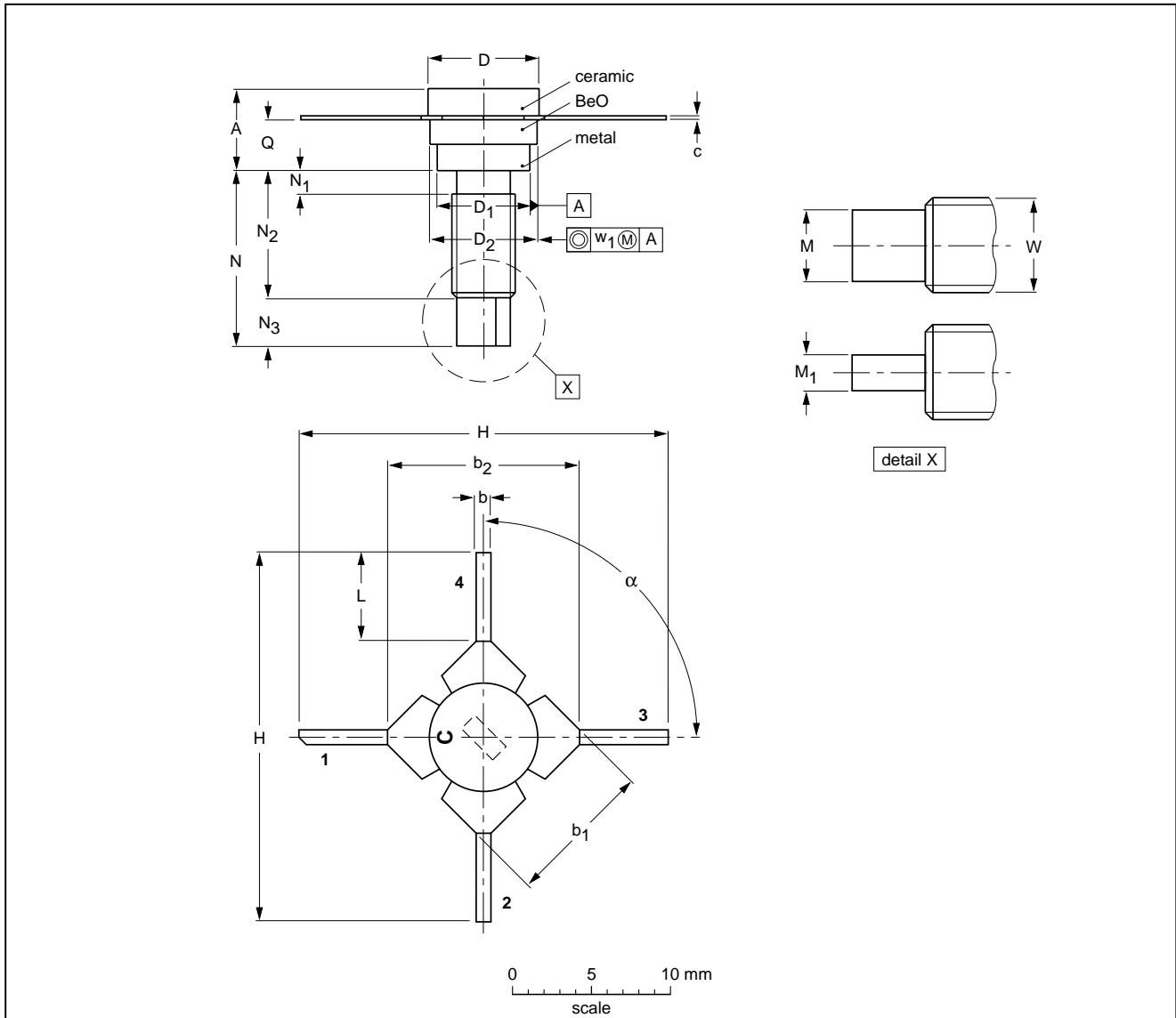
NPN 3.5 GHz wideband transistor

BFR94A

PACKAGE OUTLINE

Studded ceramic package; 4 leads

SOT122E



DIMENSIONS (millimetre dimensions are derived from the original inch dimensions)

UNIT	A	b	b ₁	b ₂	c	D	D ₁	D ₂	H	L	M	M ₁	N	N ₁ max.	N ₂	N ₃	Q	W	w ₁	α
mm	5.97 4.80	1.05 0.73	10.75 10.43	14.25 13.94	0.18 0.14	7.50 7.23	6.46 6.25	7.19 6.93	27.56 25.78	6.84 5.30	3.18 2.92	1.63 1.42	11.82 11.04	1.02	8.89 7.36	3.68 2.92	3.38 2.79	8-32 UNC	0.381	90°

OUTLINE VERSION	REFERENCES				EUROPEAN PROJECTION	ISSUE DATE
	IEC	JEDEC	EIAJ			
SOT122E						97-04-18

NPN 3.5 GHz wideband transistor

BFR94A

DEFINITIONS

Data Sheet Status	
Objective specification	This data sheet contains target or goal specifications for product development.
Preliminary specification	This data sheet contains preliminary data; supplementary data may be published later.
Product specification	This data sheet contains final product specifications.
Limiting values	
Limiting values given are in accordance with the Absolute Maximum Rating System (IEC 134). Stress above one or more of the limiting values may cause permanent damage to the device. These are stress ratings only and operation of the device at these or at any other conditions above those given in the Characteristics sections of the specification is not implied. Exposure to limiting values for extended periods may affect device reliability.	
Application information	
Where application information is given, it is advisory and does not form part of the specification.	

LIFE SUPPORT APPLICATIONS

These products are not designed for use in life support appliances, devices, or systems where malfunction of these products can reasonably be expected to result in personal injury. Philips customers using or selling these products for use in such applications do so at their own risk and agree to fully indemnify Philips for any damages resulting from such improper use or sale.