

LM340

LM340/LM78XX Series 3-Terminal Positive Regulators



Literature Number: SNOSBT0H

LM340/LM78XX Series 3-Terminal Positive Regulators

General Description

The LM140/LM340A/LM340/LM78XXC monolithic 3-terminal positive voltage regulators employ internal current-limiting, thermal shutdown and safe-area compensation, making them essentially indestructible. If adequate heat sinking is provided, they can deliver over 1.0A output current. They are intended as fixed voltage regulators in a wide range of applications including local (on-card) regulation for elimination of noise and distribution problems associated with single-point regulation. In addition to use as fixed voltage regulators, these devices can be used with external components to obtain adjustable output voltages and currents.

Considerable effort was expended to make the entire series of regulators easy to use and minimize the number of external components. It is not necessary to bypass the output, although this does improve transient response. Input bypassing is needed only if the regulator is located far from the filter capacitor of the power supply.

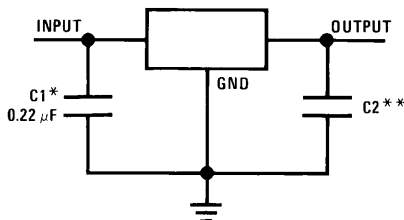
The 5V, 12V, and 15V regulator options are available in the steel TO-3 power package. The LM340A/LM340/LM78XXC series is available in the TO-220 plastic power package, and the LM340-5.0 is available in the SOT-223 package, as well as the LM340-5.0 and LM340-12 in the surface-mount TO-263 package.

Features

- Complete specifications at 1A load
- Output voltage tolerances of $\pm 2\%$ at $T_j = 25^\circ\text{C}$ and $\pm 4\%$ over the temperature range (LM340A)
- Line regulation of 0.01% of V_{OUT}/V of ΔV_{IN} at 1A load (LM340A)
- Load regulation of 0.3% of V_{OUT}/A (LM340A)
- Internal thermal overload protection
- Internal short-circuit current limit
- Output transistor safe area protection
- P+ Product Enhancement tested

Typical Applications

Fixed Output Regulator

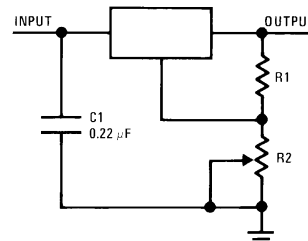


00778101

*Required if the regulator is located far from the power supply filter.

**Although no output capacitor is needed for stability, it does help transient response. (If needed, use 0.1 μF , ceramic disc).

Adjustable Output Regulator

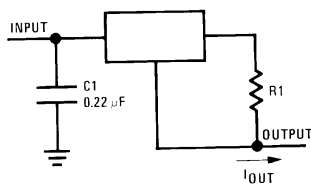


00778102

$$V_{OUT} = 5V + (5V/R1 + I_Q) R2 \quad 5V/R1 > 3 I_Q$$

$$\text{load regulation } (L_r) \approx [(R1 + R2)/R1] \quad (L_r \text{ of LM340-5}).$$

Current Regulator

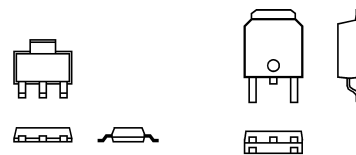


00778103

$$I_{OUT} = \frac{V_{2-3}}{R1} + I_Q$$

$\Delta I_Q = 1.3 \text{ mA}$ over line and load changes.

Comparison between SOT-223 and D-Pak (TO-252) Packages



SOT-223

TO-252

00778138

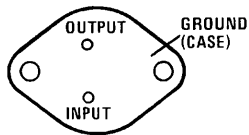
Scale 1:1

Ordering Information

Package	Temperature Range	Part Number	Packaging Marking	Transport Media	NSC Drawing
3-Lead TO-3	-55°C to +125°C	LM140K-5.0	LM140K 5.0P+	50 Per Tray	K02A
		LM140K-12	LM140K 12P+	50 Per Tray	
		LM140K-15	LM140K 15P+	50 Per Tray	
	0°C to +125°C	LM340K-5.0	LM340K 5.0 7805P+	50 Per Tray	
		LM340K-12	LM340K 12 7812P+	50 Per Tray	
		LM340K-15	LM340K 15 7815P+	50 Per Tray	
3-lead TO-220	0°C to +125°C	LM340AT-5.0	LM340AT 5.0 P+	45 Units/Rail	T03B
		LM340T-5.0	LM340T5 7805 P+	45 Units/Rail	
		LM340T-12	LM340T12 7812 P+	45 Units/Rail	
		LM340T-15	LM340T15 7815 P+	45 Units/Rail	
		LM7808CT	LM7808CT	45 Units/Rail	
3-Lead TO-263	0°C to +125°C	LM340S-5.0	LM340S-5.0 P+	45 Units/Rail	TS3B
		LM340SX-5.0		500 Units Tape and Reel	
		LM340S-12	LM340S-12 P+	45 Units/Rail	
		LM340SX-12		500 Units Tape and Reel	
		LM340AS-5.0	LM340AS-5.0 P+	45 Units/Rail	
		LM340ASX-5.0		500 Units Tape and Reel	
4-Lead SOT-223	0°C to +125°C	LM340MP-5.0	N00A	1k Units Tape and Reel	MP04A
		LM340MPX-5.0		2k Units Tape and Reel	
Unpackaged Die	-55°C to 125°C	LM140KG-5 MD8		Waffle Pack or Gel Pack	DL069089
		LM140KG-12 MD8		Waffle Pack or Gel Pack	DL059093
		LM140KG-15 MD8		Waffle Pack or Gel Pack	DL059093
	0°C to +125°C	LM340-5.0 MDA		Waffle Pack or Gel Pack	DI074056
		LM7808C MDC		Waffle Pack or Gel Pack	DI074056

Connection Diagrams

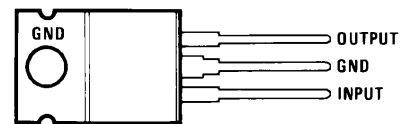
TO-3 Metal Can Package (K)



00778111

Bottom View
See Package Number K02A

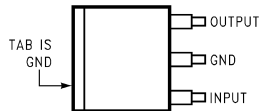
TO-220 Power Package (T)



00778112

Top View
See Package Number T03B

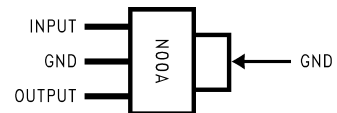
TO-263 Surface-Mount Package (S)



00778120

Top View
See Package Number TS3B

3-Lead SOT-223



00778143

Top View
See Package Number MP04A

Absolute Maximum Ratings (Note 1)

If Military/Aerospace specified devices are required, please contact the National Semiconductor Sales Office/Distributors for availability and specifications.

(Note 5)

DC Input Voltage	35V
Internal Power Dissipation (Note 2)	Internally Limited
Maximum Junction Temperature	150°C
Storage Temperature Range	-65°C to +150°C
Lead Temperature (Soldering, 10 sec.)	
TO-3 Package (K)	300°C

TO-220 Package (T), TO-263

Package (S)

230°C

ESD Susceptibility (Note 3)

2 kV

Operating Conditions (Note 1)Temperature Range (T_A) (Note 2)

LM140	-55°C to +125°C
LM340A, LM340	0°C to +125°C
LM7808C	0°C to +125°C

LM340A Electrical Characteristics $I_{OUT} = 1A$, $0^\circ C \leq T_J \leq +125^\circ C$ (LM340A) unless otherwise specified (Note 4)

Symbol	Output Voltage		5V			12V			15V			Units	
	Input Voltage (unless otherwise noted)		10V			19V			23V				
	Parameter	Conditions	Min	Typ	Max	Min	Typ	Max	Min	Typ	Max		
V_O	Output Voltage	$T_J = 25^\circ C$	4.9	5	5.1	11.75	12	12.25	14.7	15	15.3	V	
		$P_D \leq 15W$, $5 mA \leq I_O \leq 1A$	4.8		5.2	11.5		12.5	14.4		15.6	V	
		$V_{MIN} \leq V_{IN} \leq V_{MAX}$	(7.5 $\leq V_{IN} \leq 20$)			(14.8 $\leq V_{IN} \leq 27$)			(17.9 $\leq V_{IN} \leq 30$)			V	
ΔV_O	Line Regulation	$I_O = 500 mA$	10			18			22			mV	
		ΔV_{IN}	(7.5 $\leq V_{IN} \leq 20$)			(14.8 $\leq V_{IN} \leq 27$)			(17.9 $\leq V_{IN} \leq 30$)			V	
		$T_J = 25^\circ C$	3	10		4	18		4	22		mV	
		ΔV_{IN}	(7.5 $\leq V_{IN} \leq 20$)			(14.5 $\leq V_{IN} \leq 27$)			(17.5 $\leq V_{IN} \leq 30$)			V	
		$T_J = 25^\circ C$	4			9			10			mV	
	Over Temperature	12			30			30			mV		
	ΔV_{IN}	(8 $\leq V_{IN} \leq 12$)			(16 $\leq V_{IN} \leq 22$)			(20 $\leq V_{IN} \leq 26$)			V		
ΔV_O	Load Regulation	$T_J = 25^\circ C$	$5 mA \leq I_O \leq 1.5A$	10	25		12	32		12	35	mV	
			$250 mA \leq I_O \leq 750 mA$					19			21	mV	
		Over Temperature, $5 mA \leq I_O \leq 1A$		25			60			75		mV	
I_Q	Quiescent Current	$T_J = 25^\circ C$	6			6			6			mA	
		Over Temperature	6.5			6.5			6.5			mA	
ΔI_Q	Quiescent Current Change	$5 mA \leq I_O \leq 1A$		0.5			0.5			0.5			mA
		$T_J = 25^\circ C$, $I_O = 1A$		0.8			0.8			0.8			mA
		$V_{MIN} \leq V_{IN} \leq V_{MAX}$		(7.5 $\leq V_{IN} \leq 20$)			(14.8 $\leq V_{IN} \leq 27$)			(17.9 $\leq V_{IN} \leq 30$)			V
		$I_O = 500 mA$		0.8			0.8			0.8			mA
		$V_{MIN} \leq V_{IN} \leq V_{MAX}$		(8 $\leq V_{IN} \leq 25$)			(15 $\leq V_{IN} \leq 30$)			(17.9 $\leq V_{IN} \leq 30$)			V
V_N	Output Noise Voltage	$T_A = 25^\circ C$, $10 Hz \leq f \leq 100 kHz$		40			75			90			μV
$\frac{\Delta V_{IN}}{\Delta V_{OUT}}$	Ripple Rejection	$T_J = 25^\circ C$, $f = 120 Hz$, $I_O = 1A$		68	80		61	72		60	70	dB	
		or $f = 120 Hz$, $I_O = 500 mA$,		68			61			60			dB
		Over Temperature, $V_{MIN} \leq V_{IN} \leq V_{MAX}$		(8 $\leq V_{IN} \leq 18$)			(15 $\leq V_{IN} \leq 25$)			(18.5 $\leq V_{IN} \leq 28.5$)			V
R_O	Dropout Voltage	$T_J = 25^\circ C$, $I_O = 1A$		2.0			2.0			2.0			V
		$f = 1 kHz$		8			18			19			$m\Omega$
	Output Resistance	$T_J = 25^\circ C$		2.1			1.5			1.2			A
	Short-Circuit Current												

LM340A Electrical Characteristics (Continued) $I_{OUT} = 1A$, $0^{\circ}C \leq T_J \leq +125^{\circ}C$ (LM340A) unless otherwise specified (Note 4)

Symbol	Output Voltage		5V			12V			15V			Units
	Input Voltage (unless otherwise noted)		10V			19V			23V			
	Parameter	Conditions	Min	Typ	Max	Min	Typ	Max	Min	Typ	Max	
Peak Output Current		$T_J = 25^{\circ}C$	2.4			2.4			2.4			A
	Average TC of V_O	$\text{Min}, T_J = 0^{\circ}C, I_O = 5 \text{ mA}$	-0.6			-1.5			-1.8			mV/ $^{\circ}C$
V_{IN}	Input Voltage Required to Maintain Line Regulation	$T_J = 25^{\circ}C$	7.5			14.5			17.5			V

LM140 Electrical Characteristics (Note 4) $-55^{\circ}C \leq T_J \leq +150^{\circ}C$ unless otherwise specified

Symbol	Output Voltage		5V			12V			15V			Units
	Input Voltage (unless otherwise noted)		10V			19V			23V			
	Parameter	Conditions	Min	Typ	Max	Min	Typ	Max	Min	Typ	Max	
V_O	Output Voltage	$T_J = 25^{\circ}C, 5 \text{ mA} \leq I_O \leq 1A$	4.8	5	5.2	11.5	12	12.5	14.4	15	15.6	V
		$P_D \leq 15W, 5 \text{ mA} \leq I_O \leq 1A$	4.75		5.25	11.4		12.6	14.25		15.75	V
		$V_{MIN} \leq V_{IN} \leq V_{MAX}$			($8 \leq V_{IN} \leq 20$)			($15.5 \leq V_{IN} \leq 27$)			($18.5 \leq V_{IN} \leq 30$)	V
ΔV_O	Line Regulation	$I_O = 500 \text{ mA}$	$T_J = 25^{\circ}C$	3 50		4 120		4 150		mV		
			ΔV_{IN}	(7 $\leq V_{IN} \leq 25$)		(14.5 $\leq V_{IN} \leq 30$)		(17.5 $\leq V_{IN} \leq 30$)		V		
		$-55^{\circ}C \leq T_J \leq +150^{\circ}C$	ΔV_{IN}	50		120		150		mV		
			ΔV_{IN}	(8 $\leq V_{IN} \leq 20$)		(15 $\leq V_{IN} \leq 27$)		(18.5 $\leq V_{IN} \leq 30$)		V		
ΔV_O	Load Regulation	$T_J = 25^{\circ}C$	$5 \text{ mA} \leq I_O \leq 1.5A$	10 50		12 120		12 150		mV		
			$250 \text{ mA} \leq I_P \leq 750 \text{ mA}$	25		60		75		mV		
		$-55^{\circ}C \leq T_J \leq +150^{\circ}C$	$5 \text{ mA} \leq I_O \leq 1A$	50		120		150		mV		
			ΔV_{IN}	(8 $\leq V_{IN} \leq 12$)		(16 $\leq V_{IN} \leq 22$)		(20 $\leq V_{IN} \leq 26$)		V		
I_Q	Quiescent Current	$I_O \leq 1A$	$T_J = 25^{\circ}C$	6		6		6		mA		
			$-55^{\circ}C \leq T_J \leq +150^{\circ}C$	7		7		7		mA		
ΔI_Q	Quiescent Current Change	$5 \text{ mA} \leq I_O \leq 1A$		0.5		0.5		0.5		mA		
		$T_J = 25^{\circ}C, I_O \leq 1A$	0.8		0.8		0.8		mA			
		$V_{MIN} \leq V_{IN} \leq V_{MAX}$	(8 $\leq V_{IN} \leq 20$)		(15 $\leq V_{IN} \leq 27$)		(18.5 $\leq V_{IN} \leq 30$)		V			
V_N	Output Noise Voltage	$T_A = 25^{\circ}C, 10 \text{ Hz} \leq f \leq 100 \text{ kHz}$		40		75		90		μV		

LM140 Electrical Characteristics (Note 4) (Continued)-55°C ≤ T_J ≤ +150°C unless otherwise specified

Symbol	Output Voltage		5V			12V			15V			Units
	Input Voltage (unless otherwise noted)		10V			19V			23V			
	Parameter	Conditions	Min	Typ	Max	Min	Typ	Max	Min	Typ	Max	
$\frac{\Delta V_{IN}}{\Delta V_{OUT}}$	Ripple Rejection	$I_O \leq 1A, T_J = 25^\circ C$	68	80		61	72		60	70		dB
		f = 120 Hz or $I_O \leq 500 mA,$ $-55^\circ C \leq T_J \leq +150^\circ C$	68			61			60			dB
		$V_{MIN} \leq V_{IN} \leq V_{MAX}$	(8 ≤ V _{IN} ≤ 18)			(15 ≤ V _{IN} ≤ 25)			(18.5 ≤ V _{IN} ≤ 28.5)			V
R _O	Dropout Voltage	T _J = 25°C, I _O = 1A	2.0			2.0			2.0			V
	Output Resistance	f = 1 kHz	8			18			19			mΩ
	Short-Circuit Current	T _J = 25°C	2.1			1.5			1.2			A
	Peak Output Current	T _J = 25°C	2.4			2.4			2.4			A
	Average TC of V _{OUT}	0°C ≤ T _J ≤ +150°C, I _O = 5 mA	-0.6			-1.5			-1.8			mV/°C
	V _{IN}	Input Voltage Required to Maintain Line Regulation	T _J = 25°C, I _O ≤ 1A	7.5			14.6			17.7		

LM340 Electrical Characteristics (Note 4)0°C ≤ T_J ≤ +125°C unless otherwise specified

Symbol	Output Voltage		5V			12V			15V			Units	
	Input Voltage (unless otherwise noted)		10V			19V			23V				
	Parameter	Conditions	Min	Typ	Max	Min	Typ	Max	Min	Typ	Max		
V _O	Output Voltage	T _J = 25°C, 5 mA ≤ I _O ≤ 1A	4.8	5	5.2	11.5	12	12.5	14.4	15	15.6	V	
		P _D ≤ 15W, 5 mA ≤ I _O ≤ 1A	4.75		5.25	11.4		12.6	14.25		15.75	V	
		$V_{MIN} \leq V_{IN} \leq V_{MAX}$	(7.5 ≤ V _{IN} ≤ 20)			(14.5 ≤ V _{IN} ≤ 27)			(17.5 ≤ V _{IN} ≤ 30)			V	
ΔV _O	Line Regulation	I _O = 500 mA	T _J = 25°C	3	50	4	120	4	150			mV	
			ΔV _{IN}	(7 ≤ V _{IN} ≤ 25)			(14.5 ≤ V _{IN} ≤ 30)			(17.5 ≤ V _{IN} ≤ 30)			V
		0°C ≤ T _J ≤ +125°C	ΔV _{IN}	50			120			150			mV
			ΔV _{IN}	(8 ≤ V _{IN} ≤ 20)			(15 ≤ V _{IN} ≤ 27)			(18.5 ≤ V _{IN} ≤ 30)			V
		I _O ≤ 1A	T _J = 25°C	50			120			150			mV
			ΔV _{IN}	(7.5 ≤ V _{IN} ≤ 20)			(14.6 ≤ V _{IN} ≤ 27)			(17.7 ≤ V _{IN} ≤ 30)			V
ΔV _O	Load Regulation	T _J = 25°C	5 mA ≤ I _O ≤ 1.5A	10	50	12	120	12	150			mV	
			250 mA ≤ I _O ≤ 750 mA		25		60		75			mV	
		5 mA ≤ I _O ≤ 1A, 0°C ≤ T _J ≤ +125°C	50			120			150			mV	
I _Q	Quiescent Current	I _O ≤ 1A	T _J = 25°C	8			8			8			mA
			0°C ≤ T _J ≤ +125°C	8.5			8.5			8.5			mA
ΔI _Q	Quiescent Current Change	5 mA ≤ I _O ≤ 1A		0.5			0.5			0.5			mA
		T _J = 25°C, I _O ≤ 1A		1.0			1.0			1.0			mA

LM340 Electrical Characteristics (Note 4) (Continued)

0°C ≤ T_J ≤ +125°C unless otherwise specified

Symbol	Output Voltage		5V			12V			15V			Units
	Input Voltage (unless otherwise noted)		10V			19V			23V			
	Parameter	Conditions	Min	Typ	Max	Min	Typ	Max	Min	Typ	Max	
	V _{MIN} ≤ V _{IN} ≤ V _{MAX}		(7.5 ≤ V _{IN} ≤ 20)			(14.8 ≤ V _{IN} ≤ 27)			(17.9 ≤ V _{IN} ≤ 30)			V
	I _O ≤ 500 mA, 0°C ≤ T _J ≤ +125°C V _{MIN} ≤ V _{IN} ≤ V _{MAX}		1.0 (7 ≤ V _{IN} ≤ 25)			1.0 (14.5 ≤ V _{IN} ≤ 30)			1.0 (17.5 ≤ V _{IN} ≤ 30)			mA V
V _N	Output Noise Voltage	T _A = 25°C, 10 Hz ≤ f ≤ 100 kHz	40			75			90			μV
$\frac{\Delta V_{IN}}{\Delta V_{OUT}}$	Ripple Rejection	I _O ≤ 1A, T _J = 25°C	62	80		55	72		54	70		dB
		f = 120 Hz	62			55			54			dB
		V _{MIN} ≤ V _{IN} ≤ V _{MAX}	(8 ≤ V _{IN} ≤ 18)			(15 ≤ V _{IN} ≤ 25)			(18.5 ≤ V _{IN} ≤ 28.5)			V
R _O	Dropout Voltage	T _J = 25°C, I _O = 1A	2.0			2.0			2.0			V
	Output Resistance	f = 1 kHz	8			18			19			mΩ
	Short-Circuit Current	T _J = 25°C	2.1			1.5			1.2			A
	Peak Output Current	T _J = 25°C	2.4			2.4			2.4			A
	Average TC of V _{OUT}	0°C ≤ T _J ≤ +125°C, I _O = 5 mA	-0.6			-1.5			-1.8			mV/°C
V _{IN}	Input Voltage Required to Maintain Line Regulation	T _J = 25°C, I _O ≤ 1A	7.5			14.6			17.7			V

Note 1: Absolute Maximum Ratings are limits beyond which damage to the device may occur. Operating Conditions are conditions under which the device functions but the specifications might not be guaranteed. For guaranteed specifications and test conditions see the Electrical Characteristics.

Note 2: The maximum allowable power dissipation at any ambient temperature is a function of the maximum junction temperature for operation (T_{JMAX} = 125°C or 150°C), the junction-to-ambient thermal resistance (θ_{JA}), and the ambient temperature (T_A). P_{DMAX} = (T_{JMAX} - T_A)/θ_{JA}. If this dissipation is exceeded, the die temperature will rise above T_{JMAX} and the electrical specifications do not apply. If the die temperature rises above 150°C, the device will go into thermal shutdown. For the TO-3 package (K, KC), the junction-to-ambient thermal resistance (θ_{JA}) is 39°C/W. When using a heatsink, θ_{JA} is the sum of the 4°C/W junction-to-case thermal resistance (θ_{JC}) of the TO-3 package and the case-to-ambient thermal resistance of the heatsink. For the TO-220 package (T), θ_{JA} is 54°C/W and θ_{JC} is 4°C/W. If SOT-223 is used, the junction-to-ambient thermal resistance is 174°C/W and can be reduced by a heatsink (see Applications Hints on heatsinking).

If the TO-263 package is used, the thermal resistance can be reduced by increasing the PC board copper area thermally connected to the package: Using 0.5 square inches of copper area, θ_{JA} is 50°C/W; with 1 square inch of copper area, θ_{JA} is 37°C/W; and with 1.6 or more inches of copper area, θ_{JA} is 32°C/W.

Note 3: ESD rating is based on the human body model, 100 pF discharged through 1.5 kΩ.

Note 4: All characteristics are measured with a 0.22 μF capacitor from input to ground and a 0.1 μF capacitor from output to ground. All characteristics except noise voltage and ripple rejection ratio are measured using pulse techniques (t_w ≤ 10 ms, duty cycle ≤ 5%). Output voltage changes due to changes in internal temperature must be taken into account separately.

Note 5: Military datasheets are available upon request. At the time of printing, the military datasheet specifications for the LM140K-5.0/883, LM140K-12/883, and LM140K-15/883 complied with the min and max limits for the respective versions of the LM140. The LM140H and LM140K may also be procured as JAN devices on slash sheet JM38510/107.

LM7808C

Electrical Characteristics

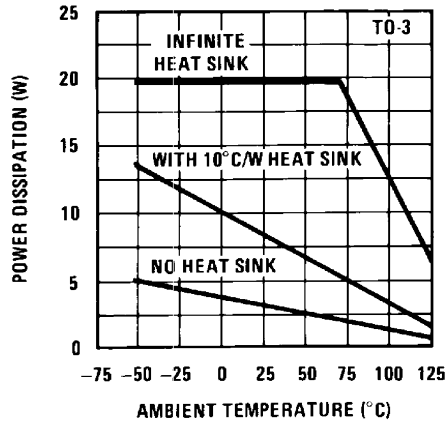
$0^{\circ}\text{C} \leq T_J \leq +150^{\circ}\text{C}$, $V_I = 14\text{V}$, $I_O = 500\text{ mA}$, $C_I = 0.33\text{ }\mu\text{F}$, $C_O = 0.1\text{ }\mu\text{F}$, unless otherwise specified

Symbol	Parameter		Conditions (Note 6)		LM7808C			Units
					Min	Typ	Max	
V_O	Output Voltage		$T_J = 25^{\circ}\text{C}$		7.7	8.0	8.3	V
ΔV_O	Line Regulation	$T_J = 25^{\circ}\text{C}$		$10.5\text{V} \leq V_I \leq 25\text{V}$		6.0	160	mV
				$11.0\text{V} \leq V_I \leq 17\text{V}$		2.0	80	
ΔV_O	Load Regulation	$T_J = 25^{\circ}\text{C}$		$5.0\text{ mA} \leq I_O \leq 1.5\text{A}$		12	160	mV
				$250\text{ mA} \leq I_O \leq 750\text{ mA}$		4.0	80	
V_O	Output Voltage		$11.5\text{V} \leq V_I \leq 23\text{V}$, $5.0\text{ mA} \leq I_O \leq 1.0\text{A}$, $P \leq 15\text{W}$		7.6		8.4	V
I_Q	Quiescent Current		$T_J = 25^{\circ}\text{C}$			4.3	8.0	mA
ΔI_Q	Quiescent Current Change	With Line	$11.5\text{V} \leq V_I \leq 25\text{V}$				1.0	mA
		With Load	$5.0\text{ mA} \leq I_O \leq 1.0\text{A}$				0.5	
V_N	Noise		$T_A = 25^{\circ}\text{C}$, $10\text{ Hz} \leq f \leq 100\text{ kHz}$			52		μV
$\Delta V_I/\Delta V_O$	Ripple Rejection		$f = 120\text{ Hz}$, $I_O = 350\text{ mA}$, $T_J = 25^{\circ}\text{C}$		56	72		dB
V_{DO}	Dropout Voltage		$I_O = 1.0\text{A}$, $T_J = 25^{\circ}\text{C}$			2.0		V
R_O	Output Resistance		$f = 1.0\text{ kHz}$			16		$\text{m}\Omega$
I_{OS}	Output Short Circuit Current		$T_J = 25^{\circ}\text{C}$, $V_I = 35\text{V}$			0.45		A
I_{PK}	Peak Output Current		$T_J = 25^{\circ}\text{C}$			2.2		A
$\Delta V_O/\Delta T$	Average Temperature Coefficient of Output Voltage		$I_O = 5.0\text{ mA}$			0.8		$\text{mV}/^{\circ}\text{C}$

Note 6: All characteristics are measured with a $0.22\text{ }\mu\text{F}$ capacitor from input to ground and a $0.1\text{ }\mu\text{F}$ capacitor from output to ground. All characteristics except noise voltage and ripple rejection ratio are measured using pulse techniques ($t_w \leq 10\text{ ms}$, duty cycle $\leq 5\%$). Output voltage changes due to changes in internal temperature must be taken into account separately.

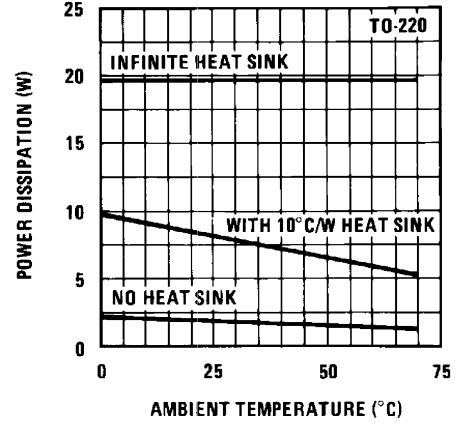
Typical Performance Characteristics

Maximum Average Power Dissipation



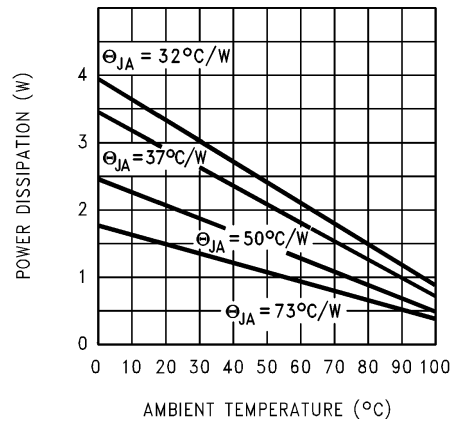
00778122

Maximum Average Power Dissipation



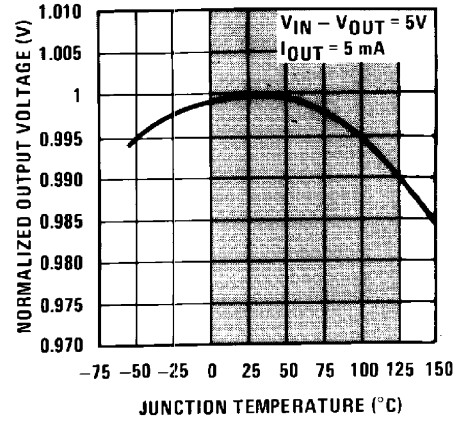
00778123

Maximum Power Dissipation (TO-263)
(See Note 2)



00778124

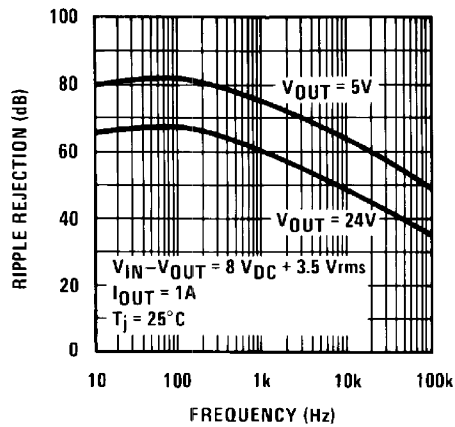
Output Voltage (Normalized to 1V at T_J = 25°C)



00778125

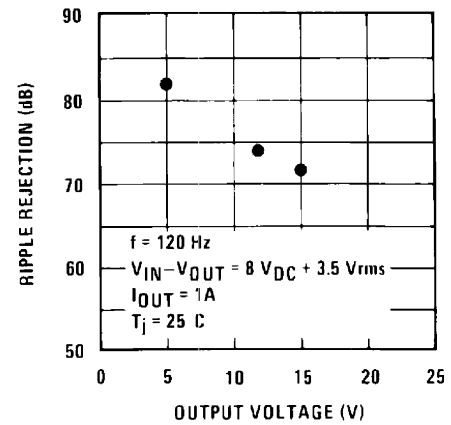
Note: Shaded area refers to LM340A/LM340, LM7805C, LM7812C and LM7815C.

Ripple Rejection



00778126

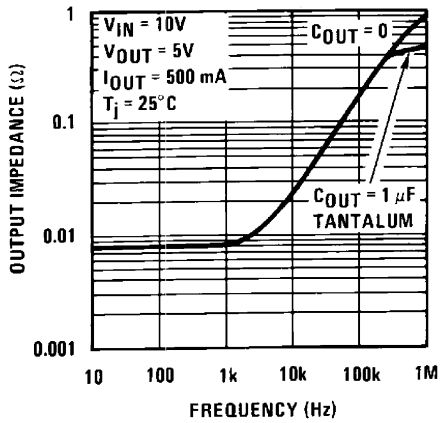
Ripple Rejection



00778127

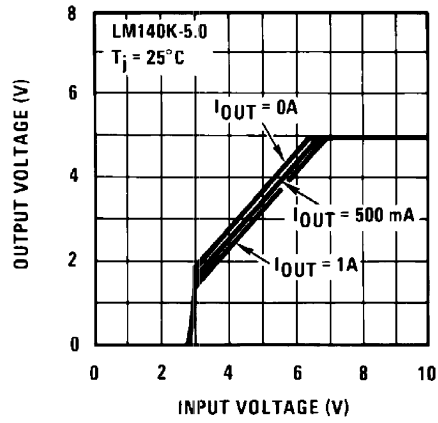
Typical Performance Characteristics (Continued)

Output Impedance



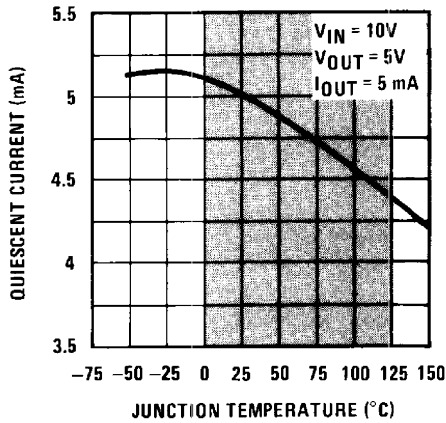
00778128

Dropout Characteristics



00778129

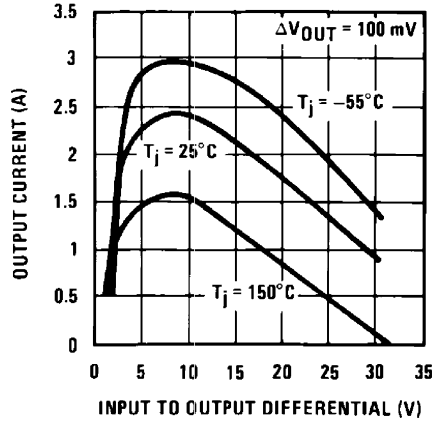
Quiescent Current



00778130

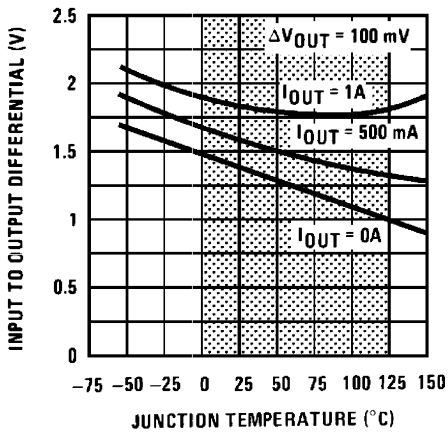
Note: Shaded area refers to LM340A/LM340, LM7805C, LM7812C and LM7815C.

Peak Output Current



00778131

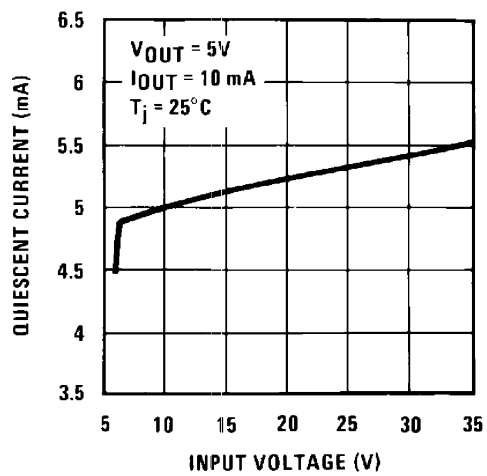
Dropout Voltage



00778132

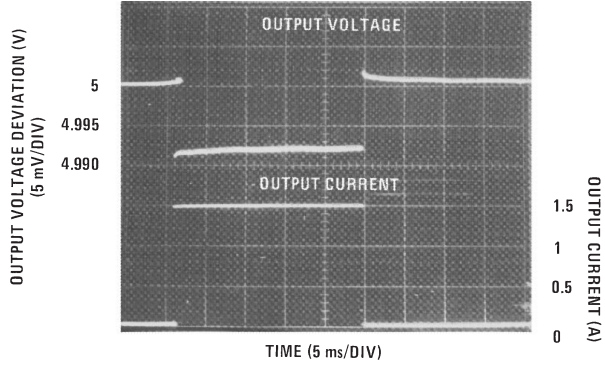
Note: Shaded area refers to LM340A/LM340, LM7805C, LM7812C and LM7815C.

Quiescent Current



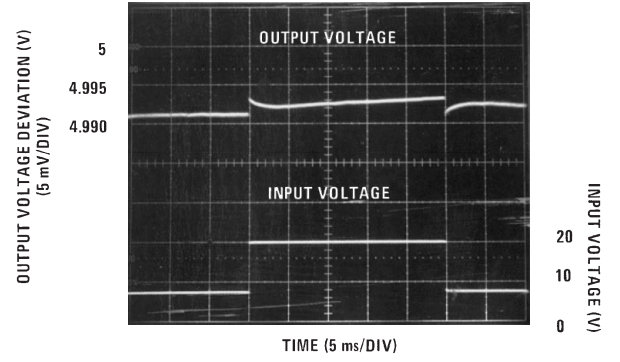
00778133

Line Regulation
 140AK-5.0, $I_{OUT} = 1A$, $T_A = 25^\circ C$



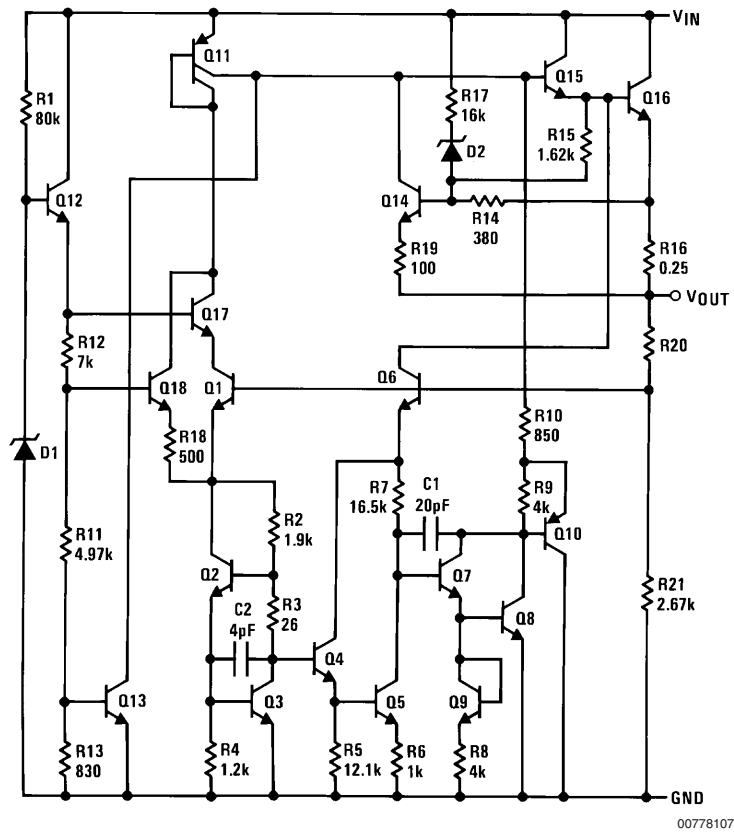
00778105

Line Regulation
 140AK-5.0, $V_{IN} = 10V$, $T_A = 25^\circ C$



00778106

Equivalent Schematic



Application Hints

The LM340/LM78XX series is designed with thermal protection, output short-circuit protection and output transistor safe area protection. However, as with *any* IC regulator, it becomes necessary to take precautions to assure that the regulator is not inadvertently damaged. The following describes possible misapplications and methods to prevent damage to the regulator.

SHORTING THE REGULATOR INPUT

When using large capacitors at the output of these regulators, a protection diode connected input to output (*Figure 1*) may be required if the input is shorted to ground. Without the protection diode, an input short will cause the input to rapidly approach ground potential, while the output remains near the initial V_{OUT} because of the stored charge in the large output capacitor. The capacitor will then discharge through a large internal input to output diode and parasitic transistors. If the energy released by the capacitor is large enough, this diode, low current metal and the regulator will be destroyed. The fast diode in *Figure 1* will shunt most of the capacitors discharge current around the regulator. Generally no protection diode is required for values of output capacitance $\leq 10 \mu\text{F}$.

RAISING THE OUTPUT VOLTAGE ABOVE THE INPUT VOLTAGE

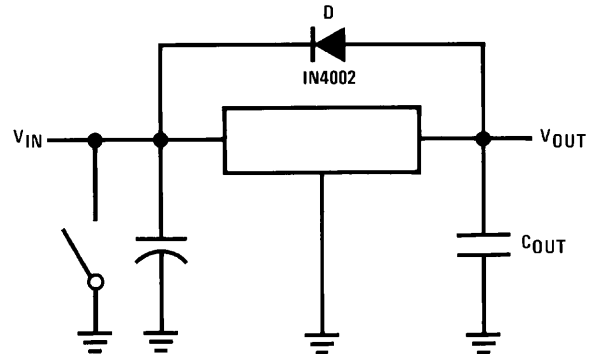
Since the output of the device does not sink current, forcing the output high can cause damage to internal low current paths in a manner similar to that just described in the "Shorting the Regulator Input" section.

REGULATOR FLOATING GROUND (*Figure 2*)

When the ground pin alone becomes disconnected, the output approaches the unregulated input, causing possible damage to other circuits connected to V_{OUT} . If ground is reconnected with power "ON", damage may also occur to the regulator. This fault is most likely to occur when plugging in regulators or modules with on card regulators into powered up sockets. Power should be turned off first, thermal limit ceases operating, or ground should be connected first if power must be left on.

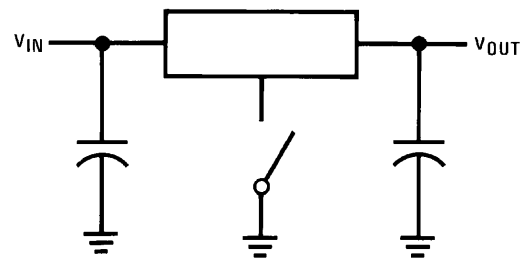
TRANSIENT VOLTAGES

If transients exceed the maximum rated input voltage of the device, or reach more than 0.8V below ground and have sufficient energy, they will damage the regulator. The solution is to use a large input capacitor, a series input breakdown diode, a choke, a transient suppressor or a combination of these.



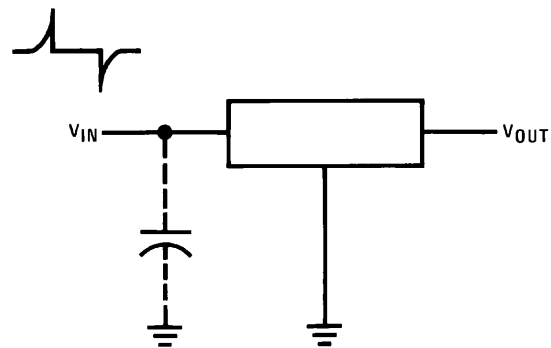
00778108

FIGURE 1. Input Short



00778109

FIGURE 2. Regulator Floating Ground



00778110

FIGURE 3. Transients

When a value for $\theta_{(H-A)}$ is found using the equation shown, a heatsink must be selected that has a value that is less than or equal to this number.

$\theta_{(H-A)}$ is specified numerically by the heatsink manufacturer in this catalog, or shown in a curve that plots temperature rise vs power dissipation for the heatsink.

Application Hints (Continued)

HEATSINKING TO-263 AND SOT-223 PACKAGE PARTS

Both the TO-263 (“S”) and SOT-223 (“MP”) packages use a copper plane on the PCB and the PCB itself as a heatsink. To optimize the heat sinking ability of the plane and PCB, solder the tab of the plane.

shows for the TO-263 the measured values of $\theta_{(J-A)}$ for different copper area sizes using a typical PCB with 1 ounce copper and no solder mask over the copper area used for heatsinking.

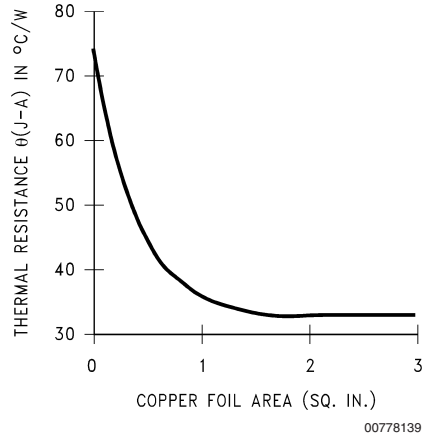


FIGURE 4. $\theta_{(J-A)}$ vs Copper (1 ounce) Area for the TO-263 Package

As shown in the figure, increasing the copper area beyond 1 square inch produces very little improvement. It should also be observed that the minimum value of $\theta_{(J-A)}$ for the TO-263 package mounted to a PCB is 32°C/W.

As a design aid, Figure 5 shows the maximum allowable power dissipation compared to ambient temperature for the TO-263 device (assuming $\theta_{(J-A)}$ is 35°C/W and the maximum junction temperature is 125°C).

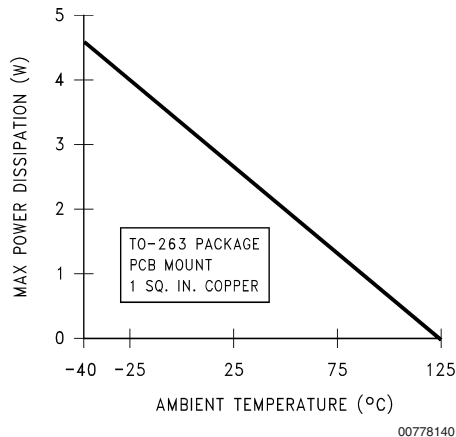


FIGURE 5. Maximum Power Dissipation vs T_{AMB} for the TO-263 Package

Figures 6, 7 show the information for the SOT-223 package. Figure 6 assumes a $\theta_{(J-A)}$ of 74°C/W for 1 ounce copper and 51°C/W for 2 ounce copper and a maximum junction temperature of 125°C.

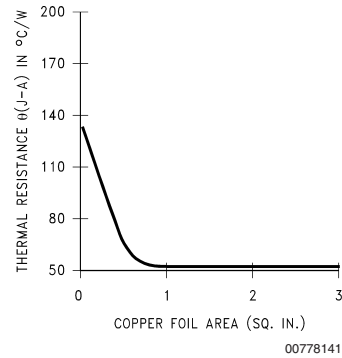


FIGURE 6. $\theta_{(J-A)}$ vs Copper (2 ounce) Area for the SOT-223 Package

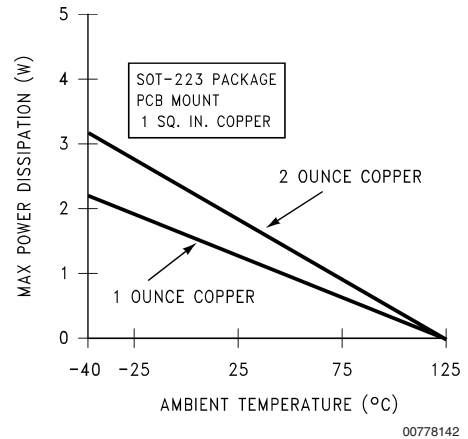
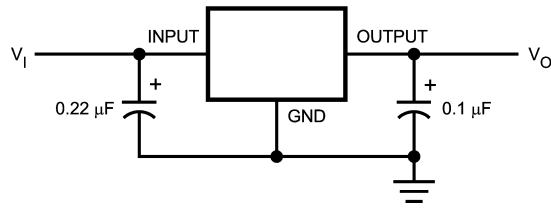


FIGURE 7. Maximum Power Dissipation vs T_{AMB} for the SOT-223 Package

Please see AN-1028 for power enhancement techniques to be used with the SOT-223 package.

Typical Applications

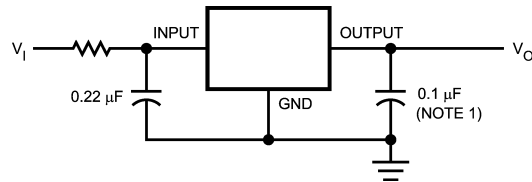
Fixed Output Regulator



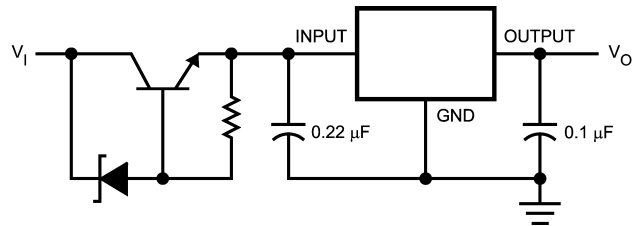
00778113

Note: Bypass capacitors are recommended for optimum stability and transient response, and should be located as close as possible to the regulator.

High Input Voltage Circuits

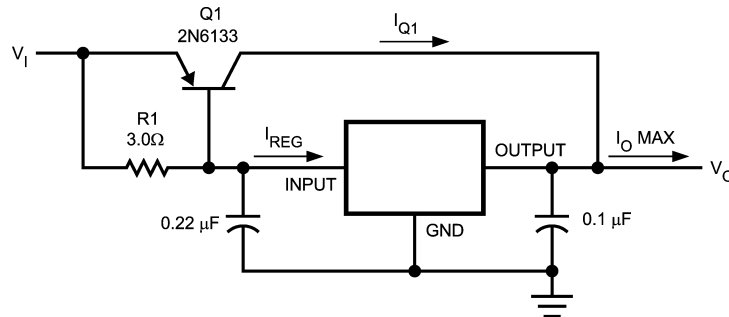


00778114



00778115

High Current Voltage Regulator



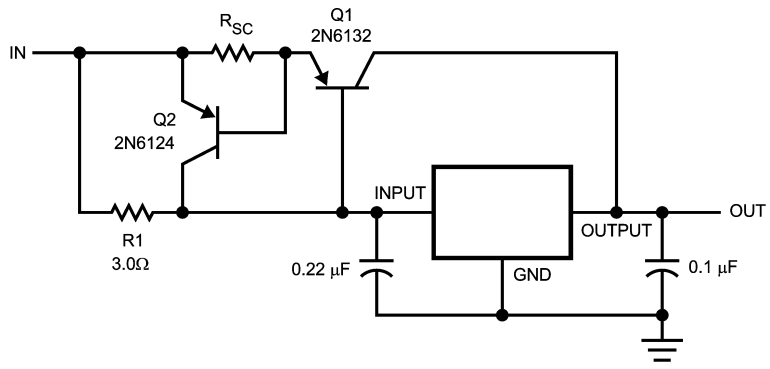
00778116

$$\beta(Q1) \geq \frac{I_{O \text{ Max}}}{I_{REG \text{ Max}}}$$

$$R1 = \frac{0.9}{I_{REG}} = \frac{\beta(Q1) V_{BE(Q1)}}{I_{REG \text{ Max}} (\beta + 1) - I_{O \text{ Max}}}$$

Typical Applications (Continued)

High Output Current, Short Circuit Protected

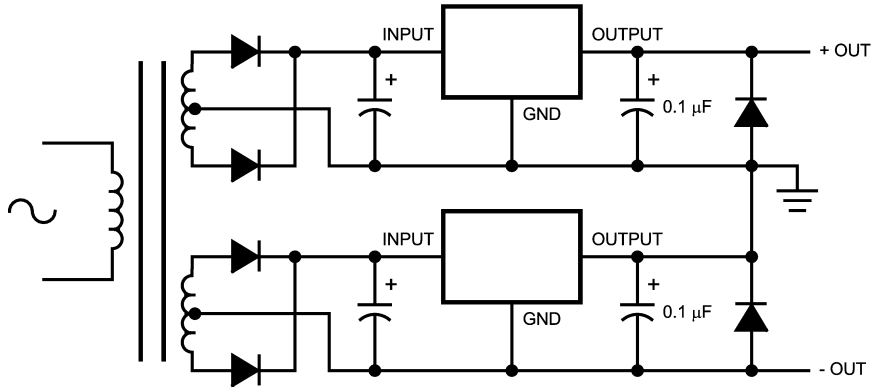


00778117

$$R_{SC} = \frac{0.8}{I_{SC}}$$

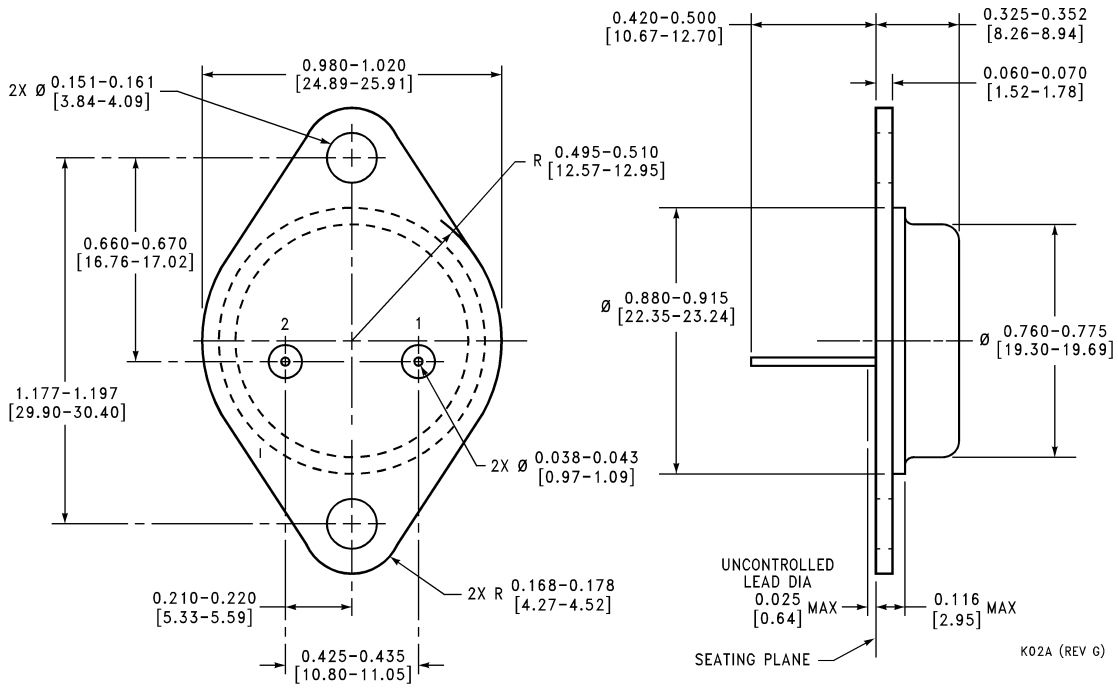
$$R1 = \frac{\beta V_{BE}(Q1)}{I_{REG Max} (\beta + 1) - I_{O Max}}$$

Positive and Negative Regulator

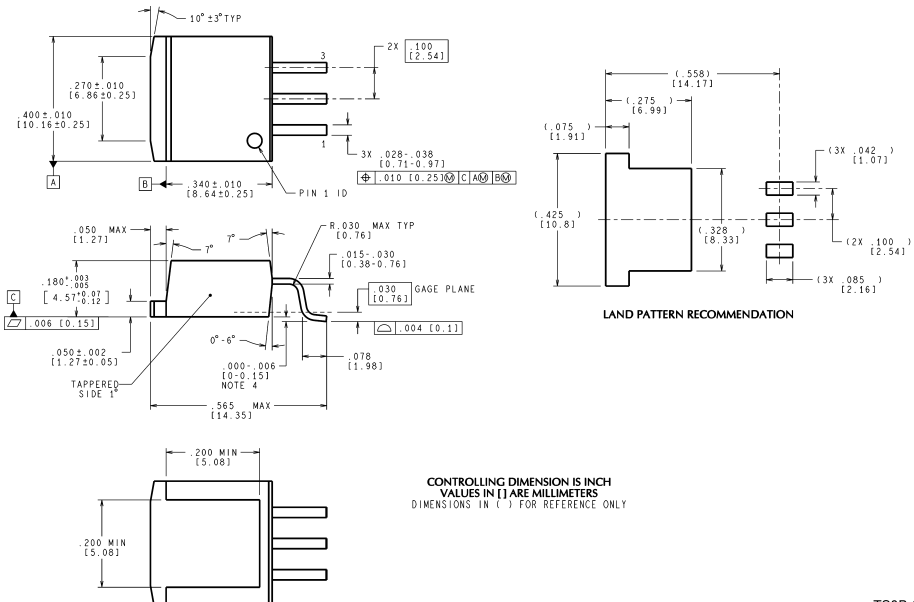


00778118

Physical Dimensions inches (millimeters) unless otherwise noted



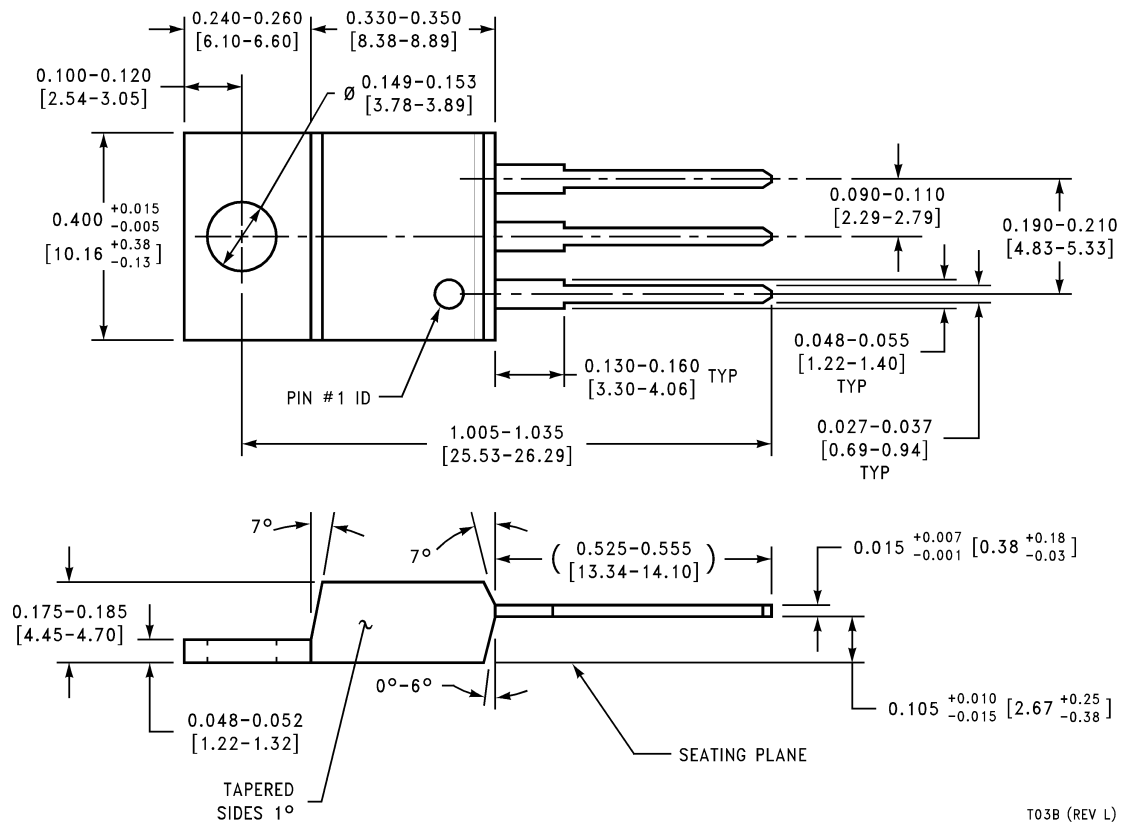
TO-3 Metal Can Package (K)
NS Package Number K02A



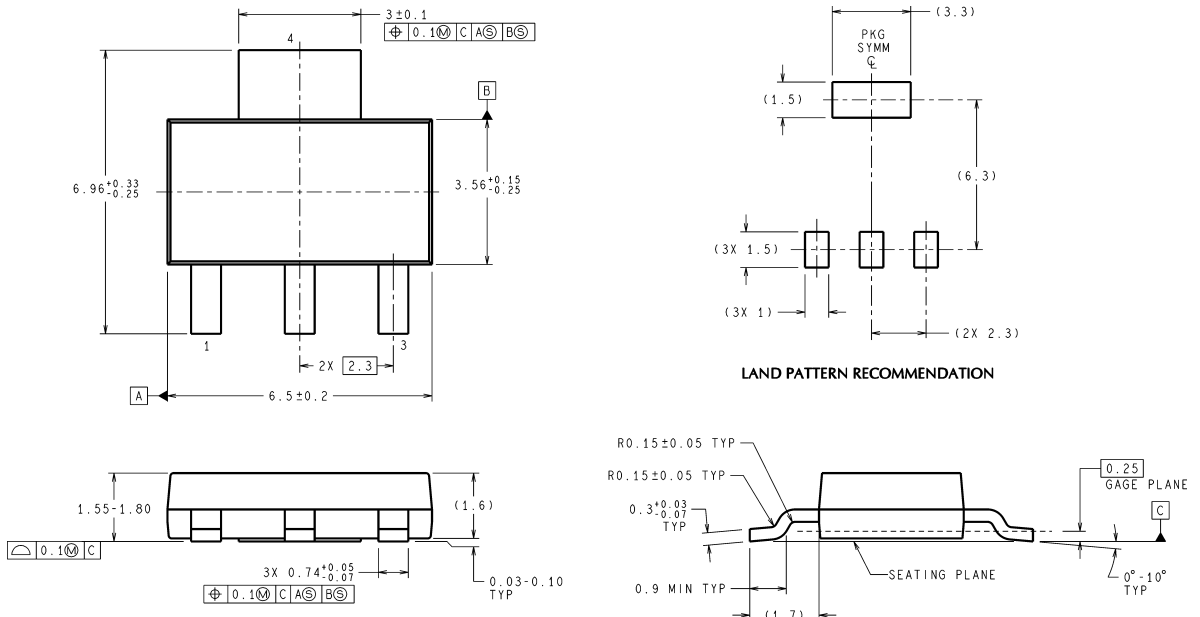
TO-263 Surface-Mount Package (S)
NS Package Number TS3B

TS3B (Rev F)

Physical Dimensions inches (millimeters) unless otherwise noted (Continued)



**TO-220 Power Package (T)
NS Package Number T03B**



**3-Lead SOT-223 Package
NS Package Number MP04A**

Notes

National does not assume any responsibility for use of any circuitry described, no circuit patent licenses are implied and National reserves the right at any time without notice to change said circuitry and specifications.
 For the most current product information visit us at www.national.com.

LIFE SUPPORT POLICY

NATIONAL'S PRODUCTS ARE NOT AUTHORIZED FOR USE AS CRITICAL COMPONENTS IN LIFE SUPPORT DEVICES OR SYSTEMS WITHOUT THE EXPRESS WRITTEN APPROVAL OF THE PRESIDENT AND GENERAL COUNSEL OF NATIONAL SEMICONDUCTOR CORPORATION. As used herein:

- | | |
|--|---|
| <p>1. Life support devices or systems are devices or systems which, (a) are intended for surgical implant into the body, or (b) support or sustain life, and whose failure to perform when properly used in accordance with instructions for use provided in the labeling, can be reasonably expected to result in a significant injury to the user.</p> | <p>2. A critical component is any component of a life support device or system whose failure to perform can be reasonably expected to cause the failure of the life support device or system, or to affect its safety or effectiveness.</p> |
|--|---|

BANNED SUBSTANCE COMPLIANCE

National Semiconductor follows the provisions of the Product Stewardship Guide for Customers (CSP-9-111C2) and Banned Substances and Materials of Interest Specification (CSP-9-111S2) for regulatory environmental compliance. Details may be found at: www.national.com/quality/green.

Lead free products are RoHS compliant.



National Semiconductor
Americas Customer
Support Center
 Email: new.feedback@nsc.com
 Tel: 1-800-272-9959

National Semiconductor
Europe Customer Support Center
 Fax: +49 (0) 180-530 85 86
 Email: europe.support@nsc.com
 Deutsch Tel: +49 (0) 69 9508 6208
 English Tel: +44 (0) 870 24 0 2171
 Français Tel: +33 (0) 1 41 91 8790

National Semiconductor
Asia Pacific Customer
Support Center
 Email: ap.support@nsc.com

National Semiconductor
Japan Customer Support Center
 Fax: 81-3-5639-7507
 Email: jpn.feedback@nsc.com
 Tel: 81-3-5639-7560

IMPORTANT NOTICE

Texas Instruments Incorporated and its subsidiaries (TI) reserve the right to make corrections, modifications, enhancements, improvements, and other changes to its products and services at any time and to discontinue any product or service without notice. Customers should obtain the latest relevant information before placing orders and should verify that such information is current and complete. All products are sold subject to TI's terms and conditions of sale supplied at the time of order acknowledgment.

TI warrants performance of its hardware products to the specifications applicable at the time of sale in accordance with TI's standard warranty. Testing and other quality control techniques are used to the extent TI deems necessary to support this warranty. Except where mandated by government requirements, testing of all parameters of each product is not necessarily performed.

TI assumes no liability for applications assistance or customer product design. Customers are responsible for their products and applications using TI components. To minimize the risks associated with customer products and applications, customers should provide adequate design and operating safeguards.

TI does not warrant or represent that any license, either express or implied, is granted under any TI patent right, copyright, mask work right, or other TI intellectual property right relating to any combination, machine, or process in which TI products or services are used. Information published by TI regarding third-party products or services does not constitute a license from TI to use such products or services or a warranty or endorsement thereof. Use of such information may require a license from a third party under the patents or other intellectual property of the third party, or a license from TI under the patents or other intellectual property of TI.

Reproduction of TI information in TI data books or data sheets is permissible only if reproduction is without alteration and is accompanied by all associated warranties, conditions, limitations, and notices. Reproduction of this information with alteration is an unfair and deceptive business practice. TI is not responsible or liable for such altered documentation. Information of third parties may be subject to additional restrictions.

Resale of TI products or services with statements different from or beyond the parameters stated by TI for that product or service voids all express and any implied warranties for the associated TI product or service and is an unfair and deceptive business practice. TI is not responsible or liable for any such statements.

TI products are not authorized for use in safety-critical applications (such as life support) where a failure of the TI product would reasonably be expected to cause severe personal injury or death, unless officers of the parties have executed an agreement specifically governing such use. Buyers represent that they have all necessary expertise in the safety and regulatory ramifications of their applications, and acknowledge and agree that they are solely responsible for all legal, regulatory and safety-related requirements concerning their products and any use of TI products in such safety-critical applications, notwithstanding any applications-related information or support that may be provided by TI. Further, Buyers must fully indemnify TI and its representatives against any damages arising out of the use of TI products in such safety-critical applications.

TI products are neither designed nor intended for use in military/aerospace applications or environments unless the TI products are specifically designated by TI as military-grade or "enhanced plastic." Only products designated by TI as military-grade meet military specifications. Buyers acknowledge and agree that any such use of TI products which TI has not designated as military-grade is solely at the Buyer's risk, and that they are solely responsible for compliance with all legal and regulatory requirements in connection with such use.

TI products are neither designed nor intended for use in automotive applications or environments unless the specific TI products are designated by TI as compliant with ISO/TS 16949 requirements. Buyers acknowledge and agree that, if they use any non-designated products in automotive applications, TI will not be responsible for any failure to meet such requirements.

Following are URLs where you can obtain information on other Texas Instruments products and application solutions:

Products

Audio	www.ti.com/audio
Amplifiers	amplifier.ti.com
Data Converters	dataconverter.ti.com
DLP® Products	www.dlp.com
DSP	dsp.ti.com
Clocks and Timers	www.ti.com/clocks
Interface	interface.ti.com
Logic	logic.ti.com
Power Mgmt	power.ti.com
Microcontrollers	microcontroller.ti.com
RFID	www.ti-rfid.com
OMAP Mobile Processors	www.ti.com/omap
Wireless Connectivity	www.ti.com/wirelessconnectivity

Applications

Communications and Telecom	www.ti.com/communications
Computers and Peripherals	www.ti.com/computers
Consumer Electronics	www.ti.com/consumer-apps
Energy and Lighting	www.ti.com/energy
Industrial	www.ti.com/industrial
Medical	www.ti.com/medical
Security	www.ti.com/security
Space, Avionics and Defense	www.ti.com/space-avionics-defense
Transportation and Automotive	www.ti.com/automotive
Video and Imaging	www.ti.com/video

TI E2E Community Home Page

e2e.ti.com

Mailing Address: Texas Instruments, Post Office Box 655303, Dallas, Texas 75265
Copyright © 2011, Texas Instruments Incorporated