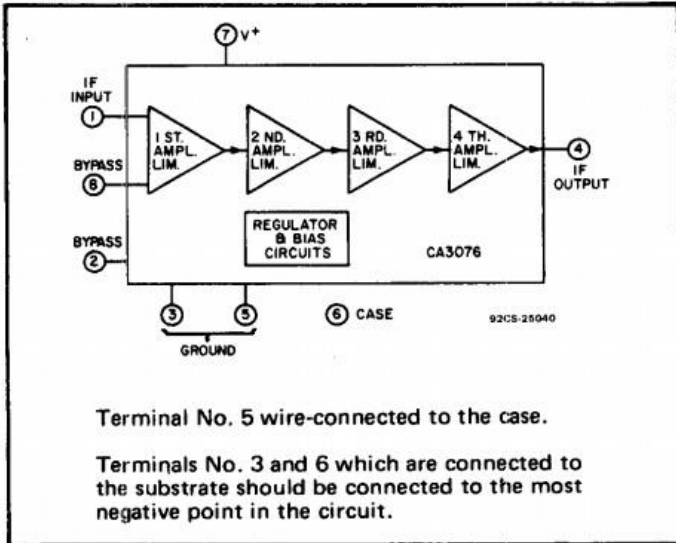


High-Gain Wide-Band IF Amplifier-Limiter

CA3076



Terminal No. 5 wire-connected to the case.

Terminals No. 3 and 6 which are connected to the substrate should be connected to the most negative point in the circuit.

Package	Suffix	T _A (°C)
8-Lead TO-5	None	-55 to 125

Applications and Features

- FM if amplifier applications in communication receivers
- Exceptionally good sensitivity:
 - input limiting voltage (knee) = 50 μ V typ. at 10.7MHz
- High gain: 80dB with 2-kilohm load
- Internal zener-regulated power supply
- Wide frequency capability: >20 MHz

Typical Electrical Characteristics at T_A = 25°C

Output Voltage	12	mV
Output Noise Voltage	1	mV
Forward Transfer Admittance:		
Magnitude	6	mho
Phase	80	degrees
Input-Impedance Components:		
Parallel Resistance	7.5	k Ω
Parallel Capacitance	4	pF
Output-Impedance Components:		
Parallel Resistance	50	k Ω
Parallel Capacitance	1.7	pF