

AN7135

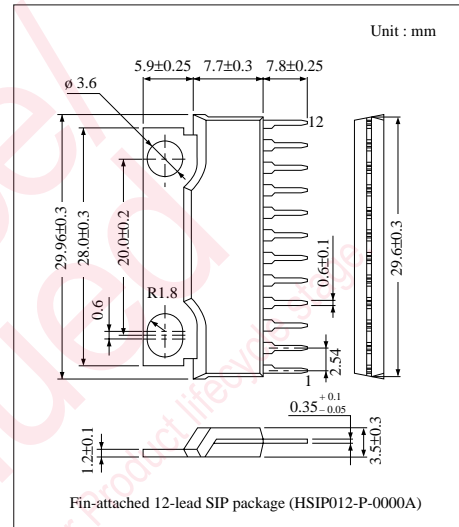
Dual 7.5W Low Frequency Power Amplifier Circuit

■ Overview

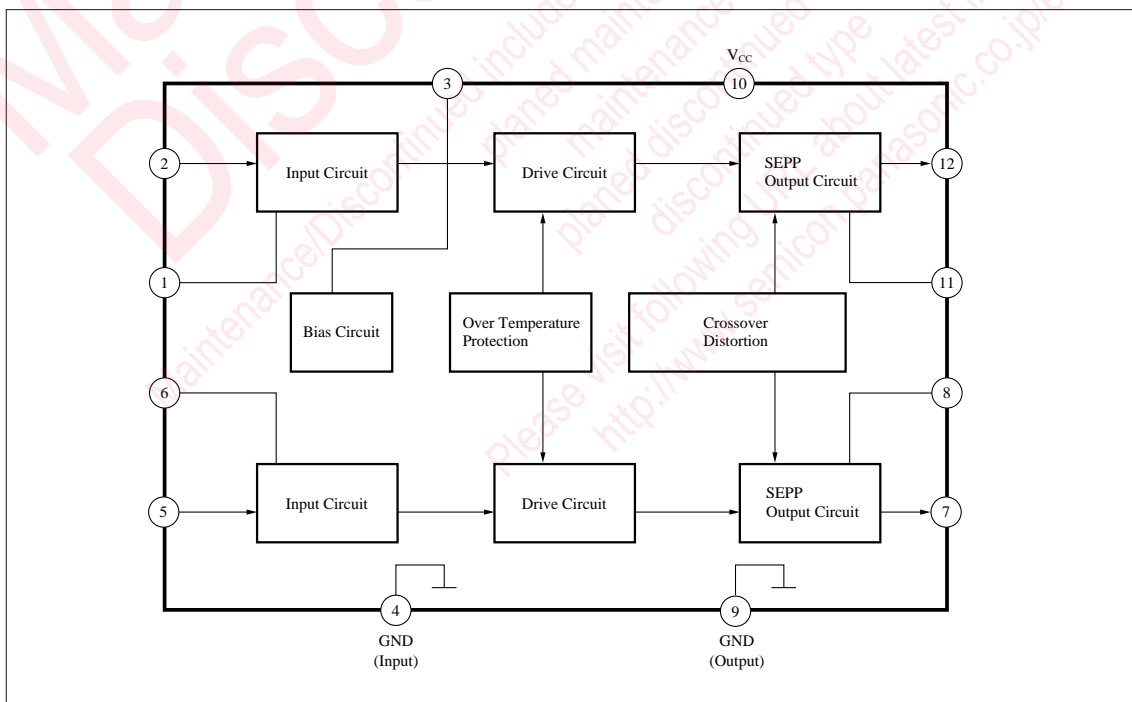
The AN7135 is a power amplifier circuit of 7.5W (15.0V, 3Ω) output. It can provide stereo operation since two amplifiers are incorporated in a chip. Static circuit current is very smaller than conventional IC for power amplifier, and various protective circuits are incorporated, thus providing high reliability. For its feature of very small static circuit current, it is best suitable for dry cell operating sets (e.g. radio cassette recorder). It requires smaller number of external components because it has little distortion and low noise and can support the stand-by condition.

■ Features

- Small static circuit current
- Stand-by condition supported
- Good oscillation stability
- Little unwanted radiation to RF portion of AM/FM
- Little distortion
- Low noise
- Small shock noise at power ON/OFF, stand-by ON/OFF
- Fewer external components



■ Block Diagram



■ Pin Name

Pin No.	Pin Name	Pin No.	Pin Name
1	Negative Feedback Ch.1	7	Output Ch.2
2	Input Ch.1	8	Boot-strap Ch.2
3	Ripple filter/Stand-by Controller	9	GND (Output)
4	GND (Input)	10	V _{CC}
5	Input Ch.2	11	Boot-strap Ch.1
6	Negative Feedback Ch.2	12	Output Ch.1

■ Absolute Maximum Ratings (Ta= 25°C)

Parameter	Symbol	Rating	Unit
Supply Voltage	V _{CC}	24	V
Supply Current	I _{CC}	4	A
Power Dissipation ^{Note 1)}	P _D	62.5	W
Operating Ambient Temperature	T _{opr}	- 30 ~ + 75	°C
Storage Temperature	T _{stg}	- 55 ~ + 150	°C

Note) $\theta_{j-c} = 2^{\circ}\text{C/W}$

■ Recommended Operating Range (Ta= 25°C)

Parameter	Symbol	Range
Operating Supply Voltage Range	V _{CC}	5.5V ~ 18.0V

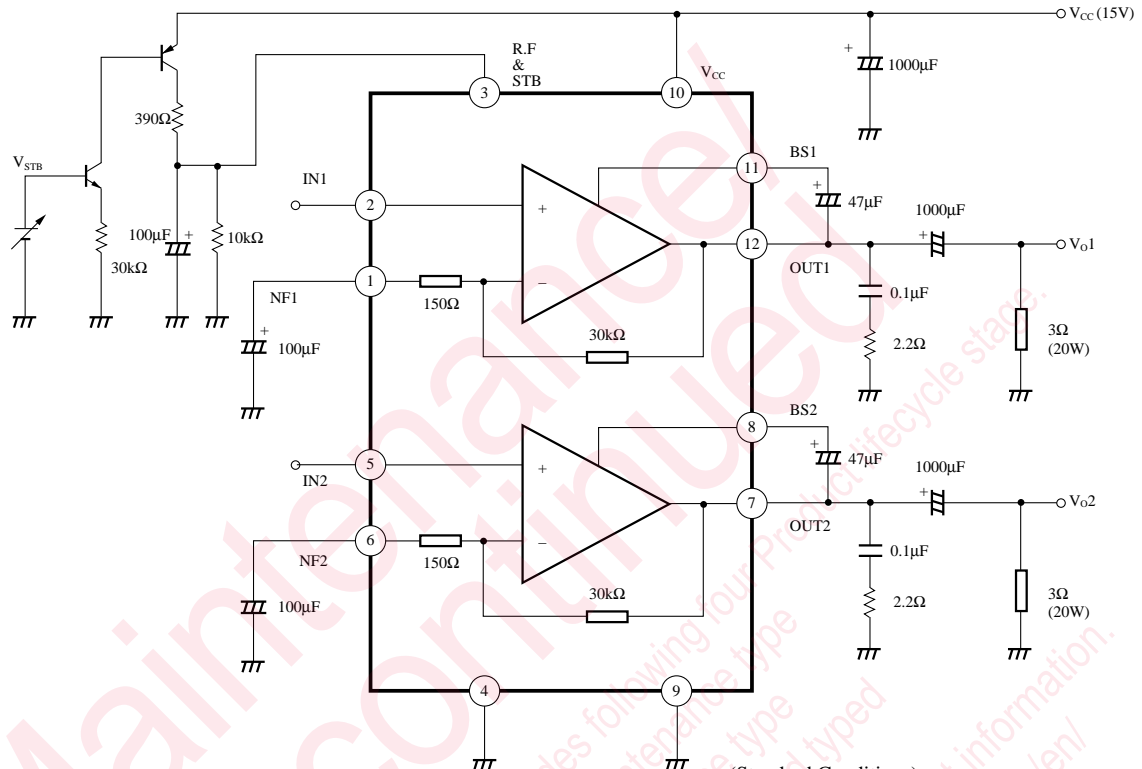
Note) 24V at no signals

■ Electrical Characteristics (V_{CC}= 15V, f_{IN}= 1kHz, R_L= 3Ω, Both channel drive, Ta= 25°C ± 2°C)

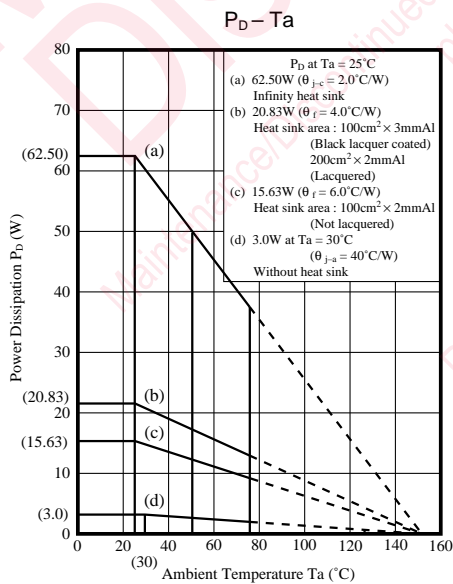
Parameter	Symbol	Condition	min.	typ.	max.	Unit
Quiescent Current	I _{CQ}	V _{IN} = 0mV	—	14	20	mA
Output End Noise Voltage ^{Note 1)}	V _{NO}	V _{IN} = 0mV, R _g = 10kΩ	—	0.25	0.50	mV
Voltage Gain	G _V	V _{IN} = 3mV	42.5	44.5	46.5	dB
Total Harmonics Distortion	THD	V _{IN} = 3mV	—	0.40	0.75	%
Max. Output Power	P _O	THD= 10%	7.0	7.5	—	W
Channel Balance	CB	V _{IN} = 3mV	-1	0	+ 1	dB
Ripple Rejection Ratio ^{Note 1)}	RR	V _{CC (ripple)} = 280mV, f _(ripple) = 120Hz R _g = 0Ω Sine wave	45	50	—	dB
Input Offset Voltage	V _{IN (O.S.)}	Input pin open	—	10	30	mV
Stand-by Current	I _{STB}	Pin3 open	—	—	30	μA

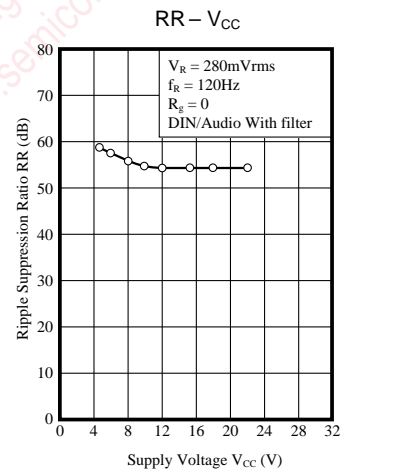
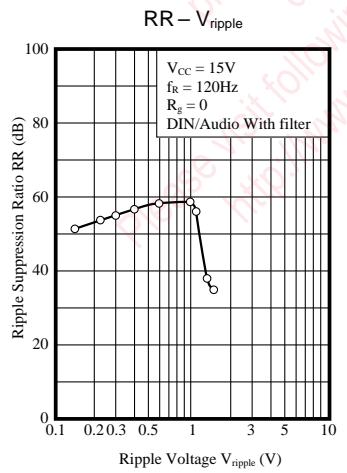
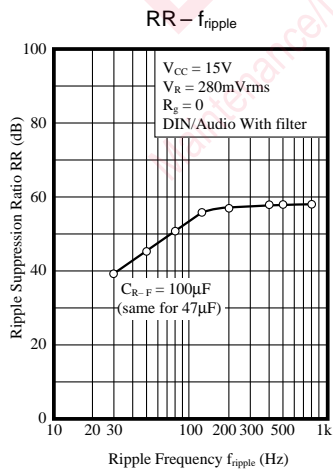
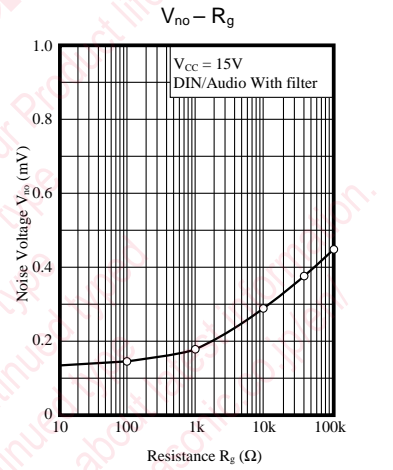
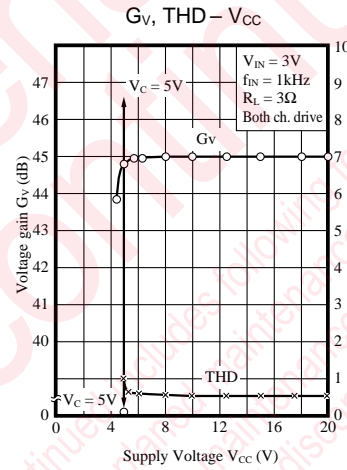
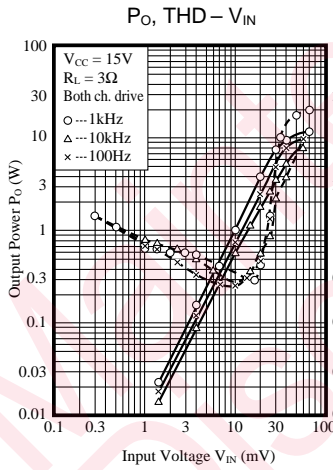
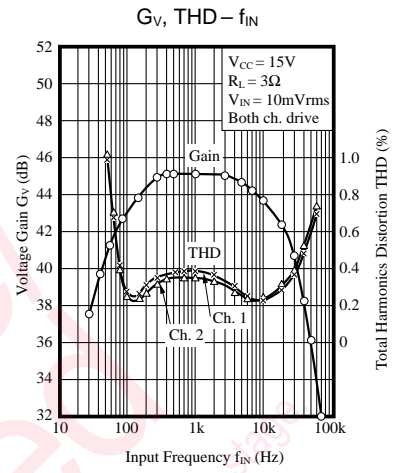
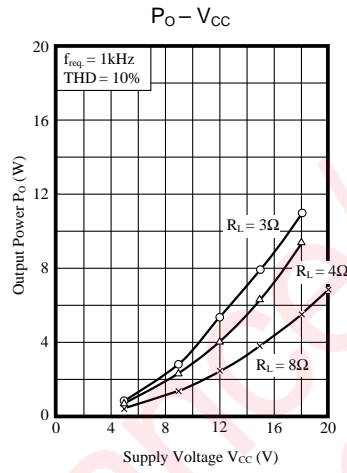
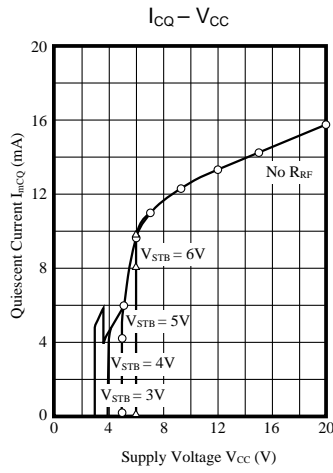
Note 1) Measured through 15Hz to 30kHz (12dB/OCT) filter

■ Application Circuit



(Standard Conditions)
 $V_{CC} = 15V$
 $R_L = 3\Omega$
 $f_{IN} = 1kHz$
 $V_{IN} = 10mV$ or $3mV$
 $R_g = 600\Omega$
 $V_{STB} = 5.0V$
 Both Ch. Drive
 With heat sink
 T_r for stand-by SW
 NPN... 2SC828A
 PNP... 2SA564A





Request for your special attention and precautions in using the technical information and semiconductors described in this book

- (1) If any of the products or technical information described in this book is to be exported or provided to non-residents, the laws and regulations of the exporting country, especially, those with regard to security export control, must be observed.
- (2) The technical information described in this book is intended only to show the main characteristics and application circuit examples of the products, and no license is granted under any intellectual property right or other right owned by our company or any other company. Therefore, no responsibility is assumed by our company as to the infringement upon any such right owned by any other company which may arise as a result of the use of technical information described in this book.
- (3) The products described in this book are intended to be used for standard applications or general electronic equipment (such as office equipment, communications equipment, measuring instruments and household appliances).
Consult our sales staff in advance for information on the following applications:
 - Special applications (such as for airplanes, aerospace, automobiles, traffic control equipment, combustion equipment, life support systems and safety devices) in which exceptional quality and reliability are required, or if the failure or malfunction of the products may directly jeopardize life or harm the human body.
 - Any applications other than the standard applications intended.
- (4) The products and product specifications described in this book are subject to change without notice for modification and/or improvement. At the final stage of your design, purchasing, or use of the products, therefore, ask for the most up-to-date Product Standards in advance to make sure that the latest specifications satisfy your requirements.
- (5) When designing your equipment, comply with the range of absolute maximum rating and the guaranteed operating conditions (operating power supply voltage and operating environment etc.). Especially, please be careful not to exceed the range of absolute maximum rating on the transient state, such as power-on, power-off and mode-switching. Otherwise, we will not be liable for any defect which may arise later in your equipment.
 - Even when the products are used within the guaranteed values, take into the consideration of incidence of break down and failure mode, possible to occur to semiconductor products. Measures on the systems such as redundant design, arresting the spread of fire or preventing glitch are recommended in order to prevent physical injury, fire, social damages, for example, by using the products.
- (6) Comply with the instructions for use in order to prevent breakdown and characteristics change due to external factors (ESD, EOS, thermal stress and mechanical stress) at the time of handling, mounting or at customer's process. When using products for which damp-proof packing is required, satisfy the conditions, such as shelf life and the elapsed time since first opening the packages.
- (7) This book may be not reprinted or reproduced whether wholly or partially, without the prior written permission of Matsushita Electric Industrial Co., Ltd.