

SN5485, SN54LS85, SN54S85 SN7485, SN74LS85, SN74S85 4-BIT MAGNITUDE COMPARATORS

SDLS123 - MARCH 1974 - REVISED MARCH 1988

| TYPE | TYPICAL POWER DISSIPATION | TYPICAL DELAY (4-BIT WORDS) |
|-------|---------------------------------|-----------------------------------|
| '85 | 275 mW | 23 ns |
| 'LS85 | 52 mW | 24 ns |
| 'S85 | 365 mW | 11 ns |

SN5485, SN54LS85, SN54S85 . . . J OR W PACKAGE
SN7485 . . . N PACKAGE
SN74LS85, SN74S85 . . . D OR N PACKAGE
(TOP VIEW)



description

These four-bit magnitude comparators perform comparison of straight binary and straight BCD (8-4-2-1) codes. Three fully decoded decisions about two 4-bit words (A, B) are made and are externally available at three outputs. These devices are fully expandable to any number of bits without external gates. Words of greater length may be compared by connecting comparators in cascade. The A > B, A < B, and A = B outputs of a stage handling less-significant bits are connected to the corresponding A > B, A < B, and A = B inputs of the next stage handling more-significant bits. The stage handling the least-significant bits must have a high-level voltage applied to the A = B input. The cascading paths of the '85, 'LS85, and 'S85 are implemented with only a two-gate-level delay to reduce overall comparison times for long words. An alternate method of cascading which further reduces the comparison time is shown in the typical application data.

SN54LS85, SN54S85 . . . FK PACKAGE
(TOP VIEW)



NC - No internal connection

FUNCTION TABLE

| COMPARING INPUTS | | | | CASCADING INPUTS | | | OUTPUTS | | |
|------------------|---------|---------|---------|------------------|-------|-------|---------|-------|-------|
| A3, B3 | A2, B2 | A1, B1 | A0, B0 | A > B | A < B | A = B | A > B | A < B | A = B |
| A3 > B3 | X | X | X | X | X | X | H | L | L |
| A3 < B3 | X | X | X | X | X | X | L | H | L |
| A3 = B3 | A2 > B2 | X | X | X | X | X | H | L | L |
| A3 = B3 | A2 < B2 | X | X | X | X | X | L | H | L |
| A3 = B2 | A2 = B2 | A1 > B1 | X | X | X | X | H | L | L |
| A3 = B3 | A2 = B2 | A1 < B1 | X | X | X | X | L | H | L |
| A2 = B3 | A2 = B2 | A1 = B1 | A0 > B0 | X | X | X | H | L | L |
| A3 = B3 | A2 = B2 | A1 = B1 | A0 < B0 | X | X | X | L | H | L |
| A3 = B3 | A2 = B2 | A1 = B1 | A0 = B0 | H | L | L | H | L | L |
| A3 = B3 | A2 = B2 | A1 = B1 | A0 = B0 | L | H | L | L | H | L |
| A3 = B3 | A2 = B2 | A1 = B1 | A0 = B0 | X | X | H | L | L | H |
| A3 = B3 | A2 = B2 | A1 = B1 | A0 = B0 | H | H | L | L | L | L |
| A3 = B3 | A2 = B2 | A1 = B1 | A0 = B0 | L | L | L | H | H | L |

PRODUCTION DATA information is current as of publication date. Products conform to specifications per the terms of Texas Instruments standard warranty. Production processing does not necessarily include testing of all parameters.



SN5485, SN54LS85, SN54S85
 SN7485, SN74LS85, SN74S85
4-BIT MAGNITUDE COMPARATORS

SDLS123 - MARCH 1974 - REVISED MARCH 1988

logic diagrams (positive logic)



logic symbol †



†This symbol is in accordance with ANSI/IEEE Std 91-1984 and IEC Publication 617-12.
 Pin numbers shown are for D, J, N, and W packages.



POST OFFICE BOX 655303 • DALLAS, TEXAS 75265

schematics of inputs and outputs



absolute maximum ratings over operating free-air temperature range (unless otherwise noted)

| | SN54' SN54S' | SN54LS' | SN74' SN74S' | SN74LS' | UNIT |
|---------------------------------------|-----------------|---------|-----------------|---------|--------------------|
| Supply voltage, V_{CC} (see Note 1) | 7 | 7 | 7 | 7 | V |
| Input voltage | 5.5 | 7 | 5.5 | 7 | V |
| Interemitter voltage (see Note 2) | 5.5 | | 5.5 | | V |
| Operating free-air temperature range | -55 to 125 | | -0 to 70 | | $^{\circ}\text{C}$ |
| Storage temperature range | -65 to 150 | | -65 to 150 | | $^{\circ}\text{C}$ |

- NOTES: 1. Voltage values, except interemitter voltage, are with respect to network ground terminal.
 2. This is the voltage between two emitters of a multiple-emitter input transistor. This rating applies to each A input in conjunction with its respective B input of the '85 and 'S85.

**SN5485, SN54LS85, SN54S85
SN7485, SN74LS85, SN74S85
4-BIT MAGNITUDE COMPARATORS**

SDLS123 – MARCH 1974 – REVISED MARCH 1988

recommended operating conditions

| | SN5485 | | | SN7485 | | | UNIT |
|---------------------------------------|--------|-----|-----|--------|-----|------|-------------|
| | MIN | NOM | MAX | MIN | NOM | MAX | |
| Supply voltage, V_{CC} | 4.5 | 5 | 5.5 | 4.75 | 5 | 5.25 | V |
| High-level output current, I_{OH} | -400 | | | -400 | | | μA |
| Low-level output current, I_{OL} | 16 | | | 16 | | | mA |
| Operating free-air temperature, T_A | -55 | | | 125 | | | $^{\circ}C$ |

electrical characteristics over recommended operating free-air temperature range (unless otherwise noted)

| PARAMETER | | TEST CONDITIONS† | MIN | TYP‡ | MAX | UNIT |
|-----------|--|---|--------|------|------|---------|
| V_{IH} | High-level input voltage | | 2 | | | V |
| V_{IL} | Low-level input voltage | | | | 0.8 | V |
| V_{IK} | Input clamp voltage | $V_{CC} = \text{MIN}, I_I = -12 \text{ mA}$ | | | -1.5 | V |
| V_{OH} | High-level output voltage | $V_{CC} = \text{MIN}, V_{IL} = 0.8 \text{ V}, I_{OH} = -400 \mu A$ | 2.4 | 3.4 | | V |
| V_{OL} | Low-level output voltage | $V_{CC} = \text{MIN}, V_{IH} = 2 \text{ V}, I_{OL} = 16 \text{ mA}$ | 0.2 | 0.4 | | V |
| I_I | Input current at maximum input voltage | $V_{CC} = \text{MAX}, V_I = 5.5 \text{ V}$ | | | 1 | mA |
| I_{IH} | High-level input current | A < B, A > B inputs | | | 40 | μA |
| | | all other inputs | | | 120 | |
| I_{IL} | Low-level input current | A < B, A > B inputs | | | -1.6 | mA |
| | | all other inputs | | | -4.8 | |
| I_{OS} | Short-circuit output current§ | $V_{CC} = \text{MAX}, V_O = 0$ | SN5485 | -20 | -55 | mA |
| | | | SN7485 | -18 | -55 | |
| I_{CC} | Supply current | $V_{CC} = \text{MAX},$ See Note 4 | | 55 | 88 | mA |

† For conditions shown as MIN or MAX, use the appropriate value specified under recommended operating conditions.

‡ All typical values are at $V_{CC} = 5 \text{ V}, T_A = 25^{\circ}C$.

§ Not more than one output should be shorted at a time.

NOTE 4: I_{CC} is measured with outputs open, A = B grounded, and all other inputs at 4.5 V.

switching characteristics, $V_{CC} = 5 \text{ V}, T_A = 25^{\circ}C$

| PARAMETER¶ | FROM INPUT | TO OUTPUT | NUMBER OF GATE LEVELS | TEST CONDITIONS | MIN | TYP | MAX | UNIT |
|------------|-----------------------|--------------|-----------------------|--|-----|-----|-----|------|
| t_{PLH} | Any A or B data input | A < B, A > B | 1 | $C_L = 15 \text{ pF}, R_L = 400 \Omega,$ See Note 5 | | 7 | | ns |
| | | | 2 | | | 12 | | |
| | | 3 | | | 17 | 26 | | |
| | | 4 | | | 23 | 35 | | |
| t_{PHL} | Any A or B data input | A < B, A > B | 1 | | | 11 | | ns |
| | | | 2 | | | 15 | | |
| | | 3 | | | 20 | 30 | | |
| | | 4 | | | 20 | 30 | | |
| t_{PLH} | A < B or A = B | A > B | 1 | | | 7 | 11 | ns |
| t_{PHL} | A < B or A = B | A > B | 1 | | | 11 | 17 | ns |
| t_{PLH} | A = B | A = B | 2 | | 13 | 20 | ns | |
| t_{PHL} | A = B | A = B | 2 | | 11 | 17 | ns | |
| t_{PLH} | A > B or A = B | A < B | 1 | | 7 | 11 | ns | |
| t_{PHL} | A > B or A = B | A < B | 1 | | 11 | 17 | ns | |

¶ t_{PLH} = propagation delay time, low-to-high-level output

t_{PHL} = propagation delay time, high-to-low-level output

NOTE 5: Load circuits and voltage waveforms are shown in Section 1.



recommended operating conditions

| | SN54LS85 | | | SN74LS85 | | | UNIT |
|---------------------------------------|----------|-----|------|----------|-----|------|--------------|
| | MIN | NOM | MAX | MIN | NOM | MAX | |
| Supply voltage, V_{CC} | 4.5 | 5 | 5.5 | 4.75 | 5 | 5.25 | V |
| High-level output current, I_{OH} | | | -400 | | | -400 | μ A |
| Low-level output current, I_{OL} | | | 4 | | | 8 | mA |
| Operating free-air temperature, T_A | -55 | | 125 | 0 | | 70 | $^{\circ}$ C |

electrical characteristics over recommended operating free-air temperature range (unless otherwise noted)

| PARAMETER | | TEST CONDITIONS [†] | SN54LS85 | | SN74LS85 | | UNIT |
|-----------|---|---|----------|------------------|----------|------|---------|
| | | | MIN | TYP [‡] | MAX | MIN | |
| V_{IH} | High-level input voltage | | 2 | | 2 | | V |
| V_{IL} | Low-level input voltage | | | 0.7 | | 0.7 | V |
| V_{IK} | Input clamp voltage | $V_{CC} = \text{MIN}, I_I = -18 \text{ mA}$ | | -1.5 | | -1.5 | V |
| V_{OH} | High-level output voltage | $V_{CC} = \text{MIN}, V_{IH} = 2 \text{ V}, V_{IL} = V_{IL \text{ max}}, I_{OH} = -400 \mu\text{A}$ | 2.5 | 3.4 | 2.7 | 3.4 | V |
| V_{OL} | Low-level output voltage | $V_{CC} = \text{MIN}, I_{OL} = 4 \text{ mA}$ | 0.25 | 0.4 | 0.25 | 0.4 | V |
| | | $V_{CC} = \text{MIN}, V_{IH} = 2 \text{ V}, V_{IL} = V_{IL \text{ max}}, I_{OL} = 8 \text{ mA}$ | | | 0.35 | 0.5 | |
| I_I | Input current at maximum input voltage | A < B, A > B inputs | 0.1 | | 0.1 | | mA |
| | | all other inputs | 0.3 | | 0.3 | | |
| I_{IH} | High-level input current | A < B, A > B inputs | 20 | | 20 | | μ A |
| | | all other inputs | 60 | | 60 | | |
| I_{IL} | Low-level input current | A < B, A > B inputs | -0.4 | | -0.4 | | mA |
| | | all other inputs | -1.2 | | -1.2 | | |
| I_{OS} | Short-circuit output current [§] | $V_{CC} = \text{MAX}$ | -20 | -100 | -20 | -100 | mA |
| I_{CC} | Supply current | $V_{CC} = \text{MAX},$ See Note 4 | 10.4 | 20 | 10.4 | 20 | mA |

[†]For conditions shown as MIN or MAX, use the appropriate value specified under recommended operating conditions.

[‡]All typical values are at $V_{CC} = 5 \text{ V}, T_A = 25^{\circ}\text{C}$.

[§]Not more than one output should be shorted at a time, and duration of the short-circuit should not exceed one second.

NOTE 4: I_{CC} is measured with outputs open, A = B grounded, and all other inputs at 4.5 V.

switching characteristics, $V_{CC} = 5 \text{ V}, T_A = 25^{\circ}\text{C}$

| PARAMETER [†] | FROM INPUT | TO OUTPUT | NUMBER OF GATE LEVELS | TEST CONDITIONS | MIN | TYP | MAX | UNIT |
|------------------------|-----------------------|--------------|-----------------------|---|-----|-----|-----|------|
| t_{PLH} | Any A or B data input | A < B, A > B | 1 | $C_L = 15 \text{ pF}, R_L = 2 \text{ k}\Omega,$ See Note 5 | | 14 | | ns |
| | | | 2 | | | 19 | | |
| | | 3 | | | 24 | 36 | | |
| | | 4 | | | 27 | 45 | | |
| t_{PHL} | Any A or B data input | A < B, A > B | 1 | | | 11 | | ns |
| | | | 2 | | | 15 | | |
| | | 3 | | | 20 | 30 | | |
| | | 4 | | | 23 | 45 | | |
| t_{PLH} | A < B or A = B | A > B | 1 | | 14 | 22 | ns | |
| t_{PHL} | A < B or A = B | A > B | 1 | | 11 | 17 | ns | |
| t_{PLH} | A = B | A = B | 2 | | 13 | 20 | ns | |
| t_{PHL} | A = B | A = B | 2 | | 13 | 26 | ns | |
| t_{PLH} | A > B or A = B | A < B | 1 | | 14 | 22 | ns | |
| t_{PHL} | A > B or A = B | A < B | 1 | | 11 | 17 | ns | |

[†] t_{PLH} = propagation delay time, low-to-high-level output

t_{PHL} = propagation delay time, high-to-low-level output

NOTE 5: Load circuits and voltage waveforms are shown in Section 1.

**SN5485, SN54LS85, SN54S85
SN7485, SN74LS85, SN74S85
4-BIT MAGNITUDE COMPARATORS**

SDLS123 – MARCH 1974 – REVISED MARCH 1988

recommended operating conditions

| | SN54S85 | | | SN74S85 | | | UNIT |
|---------------------------------------|---------|-----|-----|---------|-----|------|------|
| | MIN | NOM | MAX | MIN | NOM | MAX | |
| Supply voltage, V_{CC} | 4.5 | 5 | 5.5 | 4.75 | 5 | 5.25 | V |
| High-level output current, I_{OH} | | | -1 | | | -1 | mA |
| Low-level output current, I_{OL} | | | 20 | | | 20 | mA |
| Operating free-air temperature, T_A | -55 | | 125 | 0 | | 70 | °C |

electrical characteristics over recommended operating free-air temperature range (unless otherwise noted)

| PARAMETER | | TEST CONDITIONS† | MIN | TYP‡ | MAX | UNIT |
|-----------|--|---|--|------|------|---------------|
| V_{IH} | High-level input voltage | | 2 | | | V |
| V_{IL} | Low-level input voltage | | | | 0.8 | V |
| V_{IK} | Input clamp voltage | $V_{CC} = \text{MIN}, I_I = -18 \text{ mA}$ | | | -1.2 | V |
| V_{OH} | High-level output voltage | $V_{CC} = \text{MIN}, V_{IH} = 2 \text{ V}, V_{IL} = 0.8 \text{ V}, I_{OH} = -1 \text{ mA}$ | SN54S85 2.5 | 3.4 | | V |
| V_{OL} | Low-level output voltage | $V_{CC} = \text{MIN}, V_{IH} = 2 \text{ V}, V_{IL} = 0.8 \text{ V}, I_{OL} = 20 \text{ mA}$ | | | 0.5 | V |
| I_I | Input current at maximum input voltage | $V_{CC} = \text{MAX}, V_I = 5.5 \text{ V}$ | | | 1 | mA |
| I_{IH} | High-level input current | A < B, A > B inputs | $V_{CC} = \text{MAX}, V_I = 2.7 \text{ V}$ | | 50 | μA |
| | | all other inputs | | | 150 | |
| I_{IL} | Low-level input current | A < B, A > B inputs | $V_{CC} = \text{MAX}, V_I = 0.5 \text{ V}$ | | -2 | mA |
| | | all other inputs | | | -6 | |
| I_{OS} | Short-circuit output current§ | $V_{CC} = \text{MAX}$ | -40 | | -100 | mA |
| I_{CC} | Supply current | $V_{CC} = \text{MAX}$, See Note 4 | | 73 | 115 | mA |
| | | $V_{CC} = \text{MAX}, T_A = 125^\circ\text{C}$, See Note 4 | SN54S85W | | | |

† For conditions shown as MIN or MAX, use the appropriate value specified under recommended operating conditions.

‡ All typical values are at $V_{CC} = 5 \text{ V}, T_A = 25^\circ\text{C}$.

§ Not more than one output should be shorted at a time, and duration of the short-circuit should not exceed one second.

NOTE 4: I_{CC} is measured with outputs open, A = B grounded, and all other inputs at 4.5 V.

switching characteristics, $V_{CC} = 5 \text{ V}, T_A = 25^\circ\text{C}$

| PARAMETER¶ | FROM INPUT | TO OUTPUT | NUMBER OF GATE LEVELS | TEST CONDITIONS | MIN | TYP | MAX | UNIT |
|------------|-----------------------|--------------|-----------------------|--|------|------|-----|------|
| t_{PLH} | Any A or B data input | A < B, A > B | 1 | $C_L = 15 \text{ pF}, R_L = 280 \Omega,$ See Note 5 | | 5 | | ns |
| | | | 2 | | 7.5 | | | |
| | | 3 | 10.5 | | 16 | | | |
| | | 4 | 12 | | 18 | | | |
| t_{PHL} | Any A or B data input | A < B, A > B | 1 | | 5.5 | | ns | |
| | | | 2 | | 7 | | | |
| | | 3 | 11 | | 16.5 | | | |
| | | 4 | 11 | | 16.5 | | | |
| t_{PLH} | A < B or A = B | A > B | 1 | | | 5 | 7.5 | ns |
| t_{PHL} | A < B or A = B | A > B | 1 | | | 5.5 | 8.5 | ns |
| t_{PLH} | A = B | A = B | 2 | | 7 | 10.5 | ns | |
| t_{PHL} | A = B | A = B | 2 | | 5 | 7.5 | ns | |
| t_{PLH} | A > B or A = B | A < B | 1 | | 5 | 7.5 | ns | |
| t_{PHL} | A > B or A = B | A < B | 1 | | 5.5 | 8.5 | ns | |

¶ t_{PLH} = propagation delay time, low-to-high-level output

t_{PHL} = propagation delay time, high-to-low-level output

NOTE 5: Load circuits and voltage waveforms are shown in Section 1.



SN5485, SN54LS85, SN54S85
SN7485, SN74LS85, SN74S85
4-BIT MAGNITUDE COMPARATORS

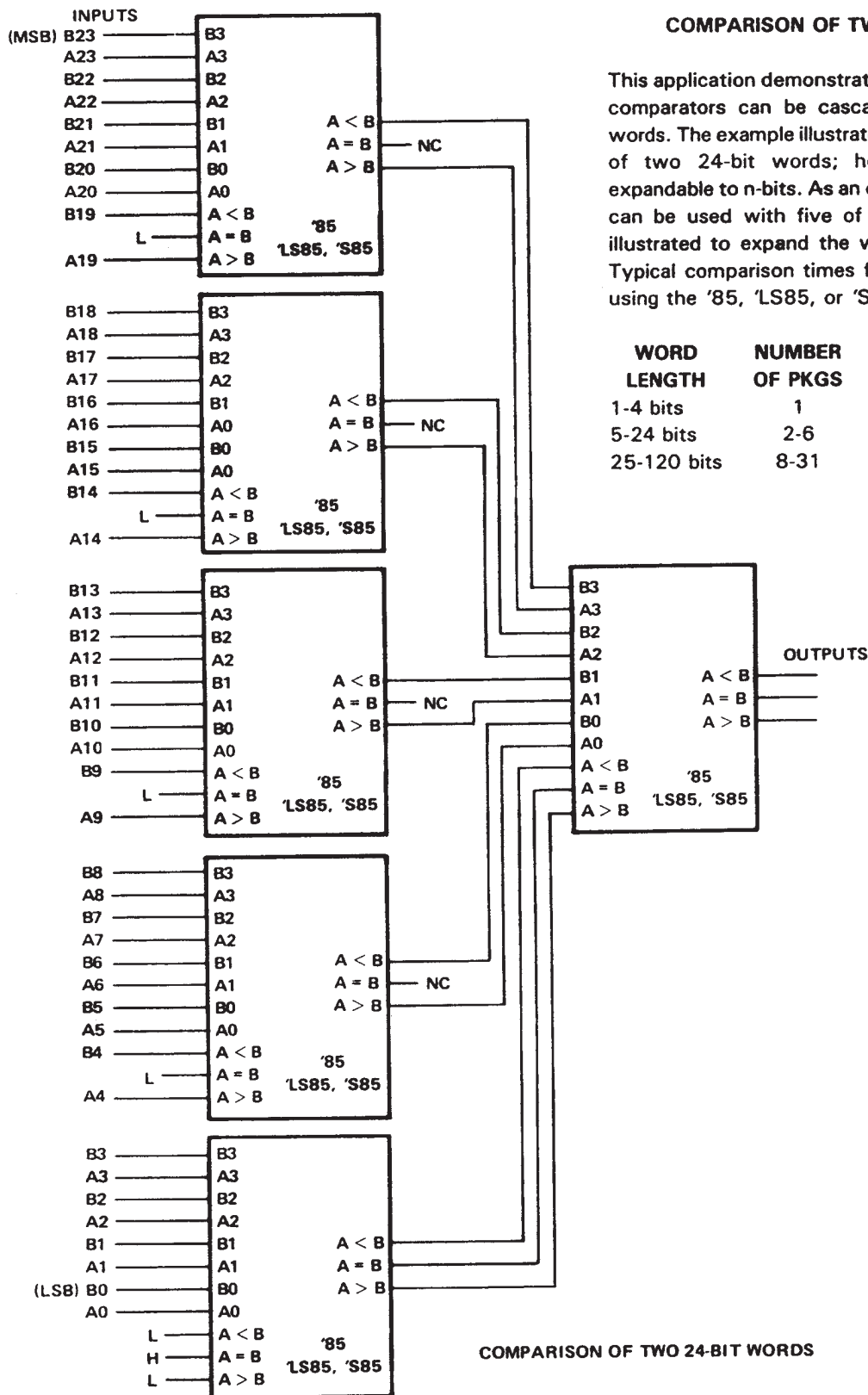
SDLS123 - MARCH 1974 - REVISED MARCH 1988

TYPICAL APPLICATION DATA

COMPARISON OF TWO N-BIT WORDS

This application demonstrates how these magnitude comparators can be cascaded to compare longer words. The example illustrated shows the comparison of two 24-bit words; however, the design is expandable to n-bits. As an example, one comparator can be used with five of the 24-bit comparators illustrated to expand the word length to 120-bits. Typical comparison times for various word lengths using the '85, 'LS85, or 'S85 are:

| WORD LENGTH | NUMBER OF PKGS | '85 | 'LS85 | 'S85 |
|-------------|----------------|-------|-------|-------|
| 1-4 bits | 1 | 23 ns | 24 ns | 11 ns |
| 5-24 bits | 2-6 | 46 ns | 48 ns | 22 ns |
| 25-120 bits | 8-31 | 69 ns | 72 ns | 33 ns |



TAPE AND REEL INFORMATION
REEL DIMENSIONS

TAPE DIMENSIONS


| | |
|----|---|
| A0 | Dimension designed to accommodate the component width |
| B0 | Dimension designed to accommodate the component length |
| K0 | Dimension designed to accommodate the component thickness |
| W | Overall width of the carrier tape |
| P1 | Pitch between successive cavity centers |

TAPE AND REEL INFORMATION

*All dimensions are nominal

| Device | Package Type | Package Drawing | Pins | SPQ | Reel Diameter (mm) | Reel Width W1 (mm) | A0 (mm) | B0 (mm) | K0 (mm) | P1 (mm) | W (mm) | Pin1 Quadrant |
|-------------|--------------|-----------------|------|------|--------------------|--------------------|---------|---------|---------|---------|--------|---------------|
| SN74LS85DR | SOIC | D | 16 | 2500 | 330.0 | 16.4 | 6.5 | 10.3 | 2.1 | 8.0 | 16.0 | Q1 |
| SN74LS85NSR | SO | NS | 16 | 2000 | 330.0 | 16.4 | 8.2 | 10.5 | 2.5 | 12.0 | 16.0 | Q1 |

TAPE AND REEL BOX DIMENSIONS


*All dimensions are nominal

| Device | Package Type | Package Drawing | Pins | SPQ | Length (mm) | Width (mm) | Height (mm) |
|-------------|--------------|-----------------|------|------|-------------|------------|-------------|
| SN74LS85DR | SOIC | D | 16 | 2500 | 333.2 | 345.9 | 28.6 |
| SN74LS85NSR | SO | NS | 16 | 2000 | 367.0 | 367.0 | 38.0 |

IMPORTANT NOTICE

Texas Instruments Incorporated and its subsidiaries (TI) reserve the right to make corrections, enhancements, improvements and other changes to its semiconductor products and services per JESD46C and to discontinue any product or service per JESD48B. Buyers should obtain the latest relevant information before placing orders and should verify that such information is current and complete. All semiconductor products (also referred to herein as "components") are sold subject to TI's terms and conditions of sale supplied at the time of order acknowledgment.

TI warrants performance of its components to the specifications applicable at the time of sale, in accordance with the warranty in TI's terms and conditions of sale of semiconductor products. Testing and other quality control techniques are used to the extent TI deems necessary to support this warranty. Except where mandated by applicable law, testing of all parameters of each component is not necessarily performed.

TI assumes no liability for applications assistance or the design of Buyers' products. Buyers are responsible for their products and applications using TI components. To minimize the risks associated with Buyers' products and applications, Buyers should provide adequate design and operating safeguards.

TI does not warrant or represent that any license, either express or implied, is granted under any patent right, copyright, mask work right, or other intellectual property right relating to any combination, machine, or process in which TI components or services are used. Information published by TI regarding third-party products or services does not constitute a license to use such products or services or a warranty or endorsement thereof. Use of such information may require a license from a third party under the patents or other intellectual property of the third party, or a license from TI under the patents or other intellectual property of TI.

Reproduction of significant portions of TI information in TI data books or data sheets is permissible only if reproduction is without alteration and is accompanied by all associated warranties, conditions, limitations, and notices. TI is not responsible or liable for such altered documentation. Information of third parties may be subject to additional restrictions.

Resale of TI components or services with statements different from or beyond the parameters stated by TI for that component or service voids all express and any implied warranties for the associated TI component or service and is an unfair and deceptive business practice. TI is not responsible or liable for any such statements.

Buyer acknowledges and agrees that it is solely responsible for compliance with all legal, regulatory and safety-related requirements concerning its products, and any use of TI components in its applications, notwithstanding any applications-related information or support that may be provided by TI. Buyer represents and agrees that it has all the necessary expertise to create and implement safeguards which anticipate dangerous consequences of failures, monitor failures and their consequences, lessen the likelihood of failures that might cause harm and take appropriate remedial actions. Buyer will fully indemnify TI and its representatives against any damages arising out of the use of any TI components in safety-critical applications.

In some cases, TI components may be promoted specifically to facilitate safety-related applications. With such components, TI's goal is to help enable customers to design and create their own end-product solutions that meet applicable functional safety standards and requirements. Nonetheless, such components are subject to these terms.

No TI components are authorized for use in FDA Class III (or similar life-critical medical equipment) unless authorized officers of the parties have executed a special agreement specifically governing such use.

Only those TI components which TI has specifically designated as military grade or "enhanced plastic" are designed and intended for use in military/aerospace applications or environments. Buyer acknowledges and agrees that any military or aerospace use of TI components which have **not** been so designated is solely at the Buyer's risk, and that Buyer is solely responsible for compliance with all legal and regulatory requirements in connection with such use.

TI has specifically designated certain components which meet ISO/TS16949 requirements, mainly for automotive use. Components which have not been so designated are neither designed nor intended for automotive use; and TI will not be responsible for any failure of such components to meet such requirements.

Products

| | |
|------------------------|--|
| Audio | www.ti.com/audio |
| Amplifiers | amplifier.ti.com |
| Data Converters | dataconverter.ti.com |
| DLP® Products | www.dlp.com |
| DSP | dsp.ti.com |
| Clocks and Timers | www.ti.com/clocks |
| Interface | interface.ti.com |
| Logic | logic.ti.com |
| Power Mgmt | power.ti.com |
| Microcontrollers | microcontroller.ti.com |
| RFID | www.ti-rfid.com |
| OMAP Mobile Processors | www.ti.com/omap |
| Wireless Connectivity | www.ti.com/wirelessconnectivity |

Applications

| | |
|-------------------------------|--|
| Automotive and Transportation | www.ti.com/automotive |
| Communications and Telecom | www.ti.com/communications |
| Computers and Peripherals | www.ti.com/computers |
| Consumer Electronics | www.ti.com/consumer-apps |
| Energy and Lighting | www.ti.com/energy |
| Industrial | www.ti.com/industrial |
| Medical | www.ti.com/medical |
| Security | www.ti.com/security |
| Space, Avionics and Defense | www.ti.com/space-avionics-defense |
| Video and Imaging | www.ti.com/video |

TI E2E Community e2e.ti.com