

040042
NOT ON
040043
10701

40160B/74C160/54C160 • 40161B/74C161/54C161 40162B/74C162/54C162 • 40163B/74C163/54C163

4-BIT SYNCHRONOUS COUNTERS

040025

DESCRIPTION — The 40160B and the 40162B are fully synchronous edge-triggered 4-Bit Decade Counters. The 40161B and the 40163B are fully synchronous edge-triggered 4-Bit Binary Counters. Each device has a Clock Input (CP); four synchronous Parallel Data Inputs (P₀-P₃); three synchronous Mode Control Inputs, Parallel Enable (PE), Count Enable Parallel (CEP) and Count Enable trickle (CET); Buffered Outputs from all four bit positions (Q₀-Q₃); and a Terminal Count Output (TC). The 40162B and 40163B have an additional synchronous Mode Control Input, Synchronous Reset (SR). Alternately, the 40160B and 40161B have an overriding asynchronous Master Reset (MR).

Operation is fully synchronous except for Master Reset on the 40160B and 40161B and occurs on the LOW-to-HIGH transition of the Clock Input (CP). When the Parallel Enable Input (PE) is LOW, the next LOW-to-HIGH transition of the Clock Input (CP) loads data into the counter from Parallel Inputs (P₀-P₃). When the Parallel Enable Input (PE) is HIGH, the next LOW-to-HIGH transition of the Clock Input (CP) advances the counter to its next state only if both Count Enable Inputs (CEP and CET) are HIGH when the state of the counter is nine (Q₀ = Q₃ = HIGH, Q₁ = Q₂ = LOW) for the 40160B and 40162B/fifteen (Q₀ = Q₁ = Q₂ = Q₃ = HIGH) for the 40161B and 40163B and the Count Enable Trickle Input (CET) is HIGH. For the 40162B and 40163B a LOW on the Synchronous Reset Input (SR) sets all Outputs (Q₀-Q₃ and TC) LOW on the next LOW-to-HIGH transition of the Clock Input (CP) independent of the state of all other synchronous Mode Control Inputs (CEP, CET, PE). For the 40160B and 40161B, a LOW on the overriding asynchronous Master Reset (MR) sets all outputs (Q₀-Q₃ and TC) LOW, independent of the state of all other inputs.

These devices perform multistage synchronous counting without additional components by using a carry look-ahead counting technique.

The 40160B, 40161B, 40162B, and 40163B are edge-triggered; therefore, the synchronous Mode Control Input (CEP, CET, PE for the 40160B/40161B and CEP, CET, PE, SR for the 40162B/40163B) must be stable only during the set-up time before the LOW-to-HIGH transition of the Clock Input (CP).

The 40160B, 40161B, 40162B and 40163B are direct replacements for the 74C160/54C160, 74C161/54C161, 74C162/54C162, and 74C163/54C163 respectively.

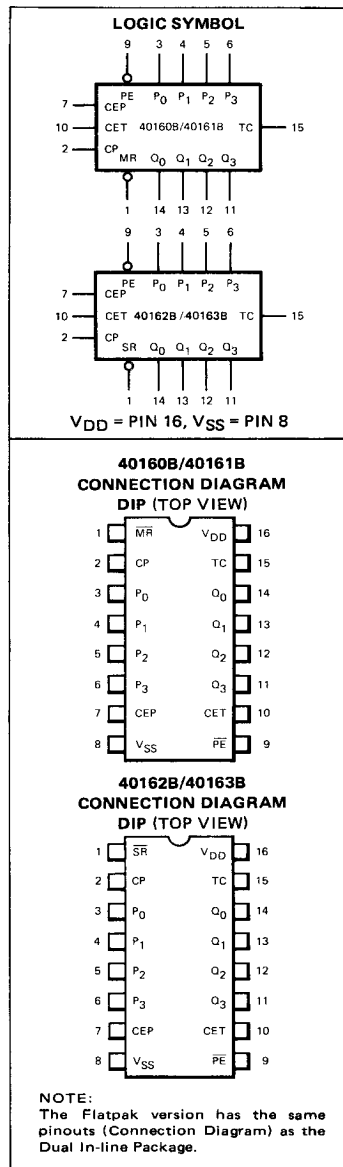
- 12 MHz TYPICAL COUNT FREQUENCY AT V_{DD} = 10 V
- DECODED TERMINAL COUNT
- FULLY SYNCHRONOUS COUNTING AND PARALLEL ENTRY
- SYNCHRONOUS (40162B/40163B) OR ASYNCHRONOUS (40160B/40161B) RESET
- BUILT-IN CARRY CIRCUITRY
- FULLY EDGE-TRIGGERED

PIN NAMES

PE	Parallel Enable Input (Active LOW)
P ₀ -P ₃	Parallel Inputs
CEP	Count Enable Parallel Input
CET	Count Enable Trickle Input
CP	Clock Input (L → H Edge-Triggered)
MR	Master Reset Input (Active LOW) for the 40160B/40161B Only
SR	Synchronous Reset Input (Active LOW) for the 40162B/40163B Only
Q ₀ -Q ₃	Parallel Outputs
TC	Terminal Count Output

SELECTOR GUIDE

RESET	MODULUS	
	DECADE	BINARY
Asynchronous	40160B	40161B
Synchronous	40162B	40163B



SYNCHRONOUS MODE SELECTION
40160B/40161B

PE	CEP	CET	MODE
L	X	X	Preset
H	L	X	No Change
H	X	L	No Change
H	H	H	Count

\overline{MR} = HIGH

SYNCHRONOUS MODE SELECTION
40162B/40163B

SR	\overline{PE}	CEP	CET	MODE
H	L	X	X	Preset
H	H	L	X	No Change
H	H	X	L	No Change
H	H	H	H	Count
L	X	X	X	Reset

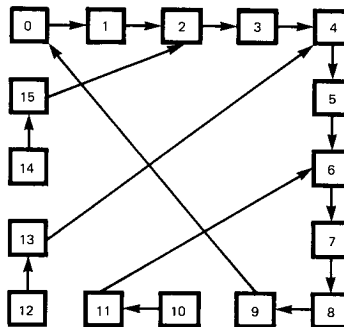
TERMINAL COUNT GENERATION

CET	40160B/40162B	40161B/40163B	TC
	$(Q_0 \cdot \overline{Q_1} \cdot \overline{Q_2} \cdot Q_3)$	$(Q_0 \cdot Q_1 \cdot Q_2 \cdot Q_3)$	
L	L	L	L
L	H	H	L
H	L	L	L
H	H	H	H

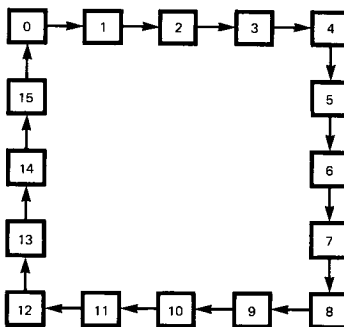
H = HIGH Level
L = LOW Level
X = Don't Care

TC = CET · Q₀ · $\overline{Q_1}$ · $\overline{Q_2}$ · Q₃ (40160B/40162B)
TC = CET · Q₀ · Q₁ · Q₂ · Q₃ (40161B/40163B)

STATE DIAGRAM
40160B • 40162B



STATE DIAGRAM
40161B • 40163B

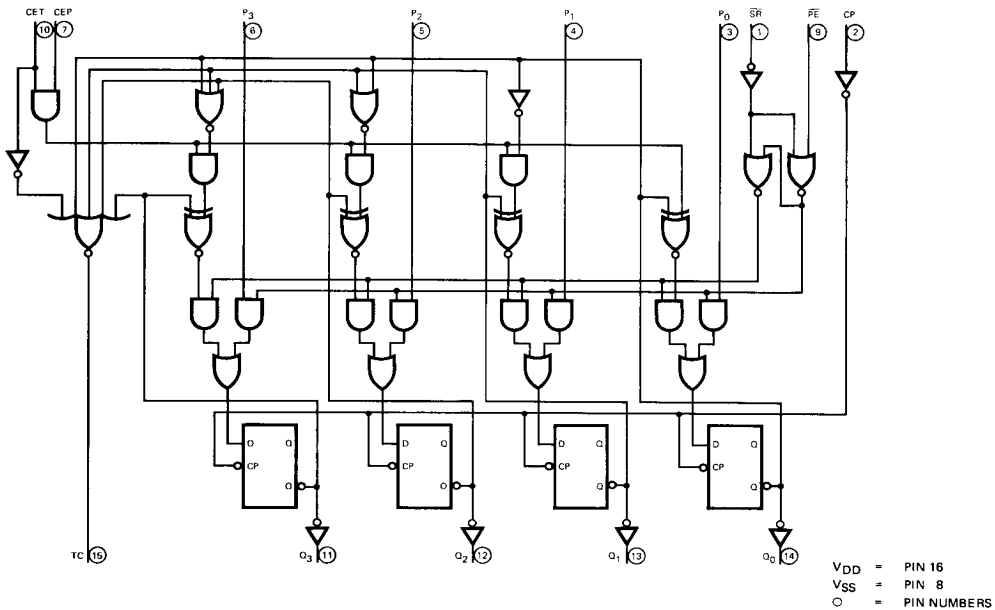


NOTE:

The 40160B or 40162B can be preset to any state, but will not count beyond 9. If preset to state 10, 11, 12, 13, 14 or 15, they will return to their normal sequence within two clock pulses.

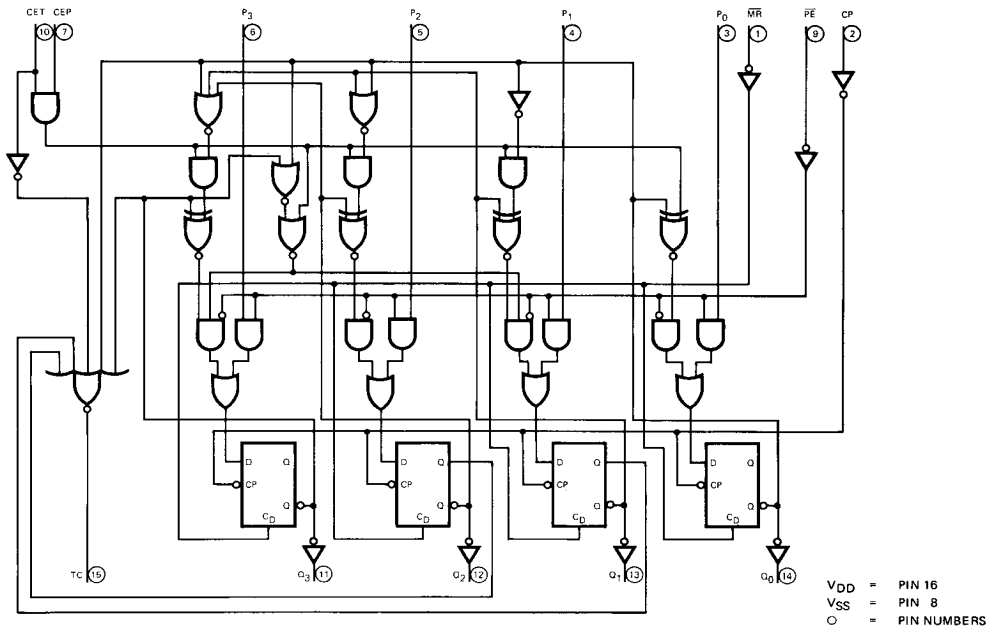
40161B/40163B LOGIC DIAGRAM

The 40161B and 40163B binary synchronous counters are similar. However, the 40161B has an asynchronous master reset circuit as shown on the 40160B/40162B Logic Diagram.



40160B/40162B LOGIC DIAGRAM

The 40160B and 40162B BCD synchronous counters are similar. However, the 40162B has a synchronous reset circuit as shown on the 40161B/40163B Logic Diagram.



**FAIRCHILD CMOS • 40160B/74C160/54C160 • 40161B/74C161/54C161 •
40162B/74C162/54C162 • 40163B/74C163/54C163**

DC CHARACTERISTICS: V_{DD} as shown, $V_{SS} = 0$ V (See Note 1)

SYMBOL	PARAMETER		LIMITS									UNITS	TEMP	TEST CONDITIONS
			$V_{DD} = 5$ V			$V_{DD} = 10$ V			$V_{DD} = 15$ V					
			MIN	TYP	MAX	MIN	TYP	MAX	MIN	TYP	MAX			
I_{DD}	Quiescent Power	XC			20			40			80	μ A	MIN, 25°C	All inputs at 0 V or V_{DD}
					150			300			600		MAX	
	Supply Current	XM			5			10			20	μ A	MIN, 25°C	
					150			300			600		MAX	

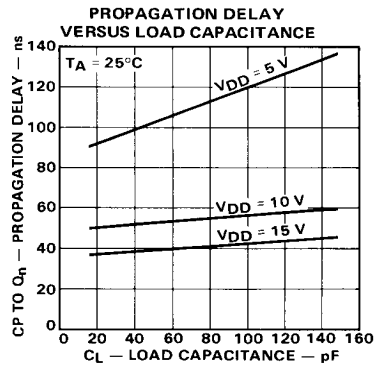
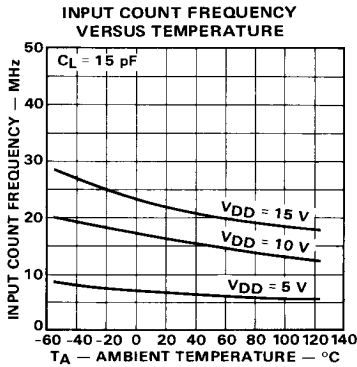
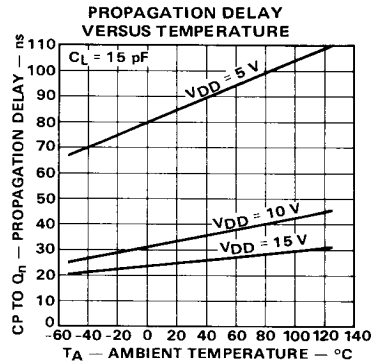
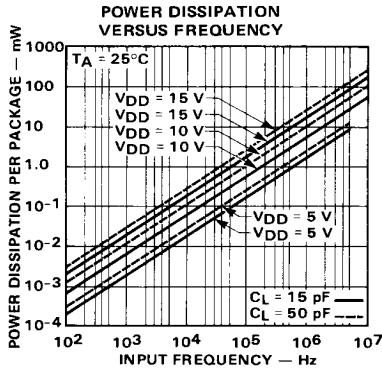
AC CHARACTERISTICS AND SET-UP REQUIREMENTS: V_{DD} as shown, $V_{SS} = 0$ V, $T_A = 25^\circ$ C (See Note 2)

SYMBOL	PARAMETER		LIMITS									UNITS	TEST CONDITIONS
			$V_{DD} = 5$ V			$V_{DD} = 10$ V			$V_{DD} = 15$ V				
			MIN	TYP	MAX	MIN	TYP	MAX	MIN	TYP	MAX		
t_{PLH}	Propagation Delay, CP to Q			120	220		55	105		40	84	ns	$C_L = 50$ pF, $R_L = 200$ k Ω Input Transition Times ≤ 20 ns
t_{PHL}	Propagation Delay, CP to Q			120	220		55	105		38	84		
t_{PLH}	Propagation Delay, CP to TC			155	285		70	130		45	104	ns	
t_{PHL}	Propagation Delay, CP to TC			155	285		70	130		40	104		
t_{PLH}	Propagation Delay, CET to TC			95	165		40	80		27	64	ns	
t_{PHL}	Propagation Delay, CET to TC			95	165		55	95		36	76		
t_{PHL}	Propagation Delay, \overline{MR} to Q			150	285		65	125		44	100	ns	(40160B/40161B)
t_{PHL}	Propagation Delay, \overline{MR} to TC			175	335		75	145		52	116	ns	(40160B/40161B)
t_{TLH}	Output Transition Time			60	135		35	70		25	45	ns	
t_{THL}	Output Transition Time			70	135		30	70		23	45		
t_{rec}	MR Recovery Time		50	15		30	10		24	7	ns	(40160B/40161B)	
$t_{wMR(L)}$	MR Minimum Pulse Width		110	60		55	27		44	17	ns	(40160B/40161B)	
t_{wCP}	CP Minimum Pulse Width		90	50		40	20		32	15	ns		
t_s	Set-Up Time, Data to CP		70	35		35	18		28	13	ns		
t_h	Hold Time, Data to CP		0	-30		0	-15		0	-10			
t_s	Set-Up Time, \overline{PE} to CP		110	60		60	30		48	20	ns		
t_h	Hold Time, \overline{PE} to CP		-10	-57		-5	-28		-4	-18			
t_s	Set-Up Time, CEP, CET to CP		200	115		95	50		76	35	ns		
t_h	Hold Time, CEP, CET to CP		-20	-110		-10	-48		-8	-32			
t_s	Set-Up Time, \overline{SR} to CP		40	15		18	15		14	4	ns	(40162B/40163B)	
t_h	Hold Time, \overline{SR} to CP		0	-5		0	-2		0	0		(40162B/40163B)	
f_{MAX}	Input Count Frequency (Note 3)		3	6		7	12		8	14	MHz		

NOTES:

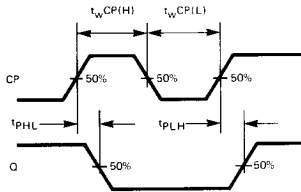
- Additional DC Characteristics are listed in this section under 4000B Series CMOS Family Characteristics.
- Propagation Delays and Output Transition Times are graphically described in this section under 4000B Series CMOS Family Characteristics.
- For f_{MAX} , input rise and fall times are greater than or equal to 5 ns and less than or equal to 20 ns.
- It is recommended that input rise and fall times to the Clock Input be less than 15 μ s at $V_{DD} = 5$ V, 4 μ s at $V_{DD} = 10$ V, and 3 μ s at $V_{DD} = 15$ V.

TYPICAL ELECTRICAL CHARACTERISTICS



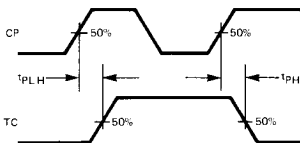
SWITCHING DIAGRAMS

CLOCK (CP) TO OUTPUT (Q)
PROPAGATION DELAYS AND MINIMUM
CLOCK PULSE WIDTH



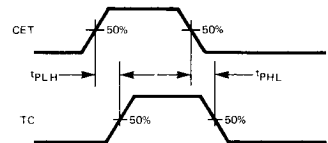
CONDITIONS: $\overline{PE} = \overline{MR} = \overline{CEP} = \overline{CET} = H$ for 40160B/40161B and $\overline{PE} = \overline{SR} = \overline{CEP} = \overline{CET} = H$ for 40162B/40163B.

CLOCK (CP) TO TERMINAL COUNT (TC)
PROPAGATION DELAYS



CONDITIONS: See the Terminal Count Generation Table. $\overline{PE} = \overline{CEP} = \overline{CET} = \overline{MR} = H$ for 40160B/40161B and $\overline{PE} = \overline{CEP} = \overline{CET} = \overline{SR} = H$ for 40162B/40163B.

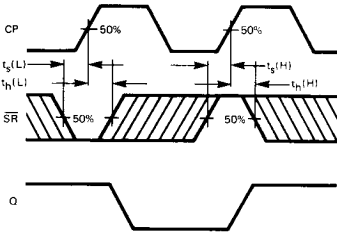
COUNT ENABLE TRICKLE INPUT (CET)
TO TERMINAL COUNT OUTPUT (TC)
PROPAGATION DELAYS



CONDITIONS: See the Terminal Count Generation Table. $\overline{CP} = \overline{PE} = \overline{CEP} = \overline{MR} = H$ for 40160B/40161B and $\overline{CP} = \overline{PE} = \overline{CEP} = \overline{SR} = H$ for 40162B/40163B.

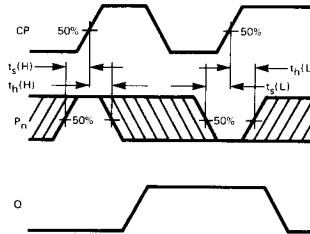
SWITCHING DIAGRAMS (Continued)

40162B/40163B
SET-UP TIMES (t_s) AND HOLD TIMES (t_h)
FOR SYNCHRONOUS RESET (\overline{SR}).



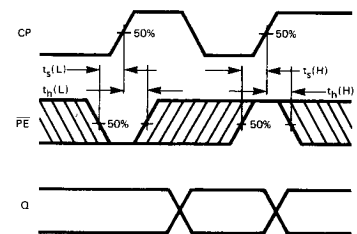
CONDITIONS: $\overline{PE} = L$, P_0 - $P_3 = H$.

SET-UP TIMES (t_s) AND HOLD TIMES (t_h)
FOR PARALLEL DATA INPUTS (P_0 - P_3).



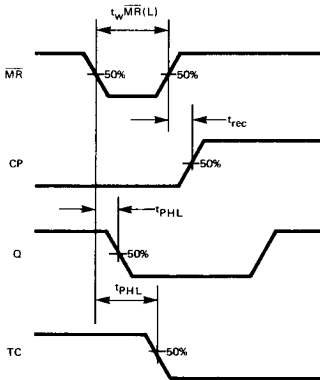
CONDITIONS: $\overline{PE} = L$, $\overline{MR} = H$ for 40160B/
40161B and $\overline{PE} = L$, $\overline{SR} = H$ for 40162B/
40163B.

SET-UP TIMES (t_s) AND HOLD TIMES (t_h)
FOR PARALLEL ENABLE INPUT \overline{PE} .



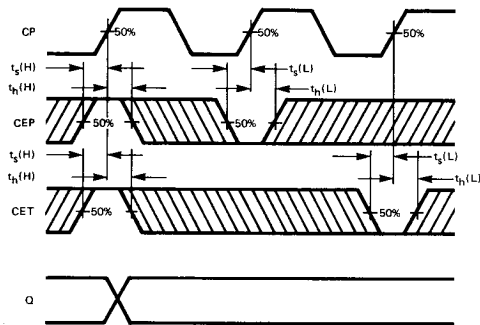
CONDITIONS: $\overline{MR} = H$ for 40160B/40161B
and $\overline{SR} = H$ for 40162B/40163B.

40160B/40161B
MASTER RESET (\overline{MR}) TO OUTPUT (Q)
DELAY, MASTER RESET PULSE WIDTH,
MASTER RESET RECOVERY TIME,
AND MASTER RESET TO TERMINAL COUNT
(TC) DELAY.



CONDITIONS: $\overline{PE} = L$ and $P_0 = P_1 = P_2 =$
 $P_3 = H$.

SET-UP TIMES (t_s) AND HOLD TIMES (t_h)
FOR COUNT ENABLE INPUTS (CEP AND
CET).



CONDITIONS: $\overline{PE} = \overline{MR} = H$ for 40160B/
40161B and $\overline{PE} = \overline{SR} = H$ for 40162B/
40163B.

NOTE:

1. Set-up Times (t_s) and Hold Times (t_h) are shown as positive values, but may be specified as negative values.