

BZ-18

(RoHS)

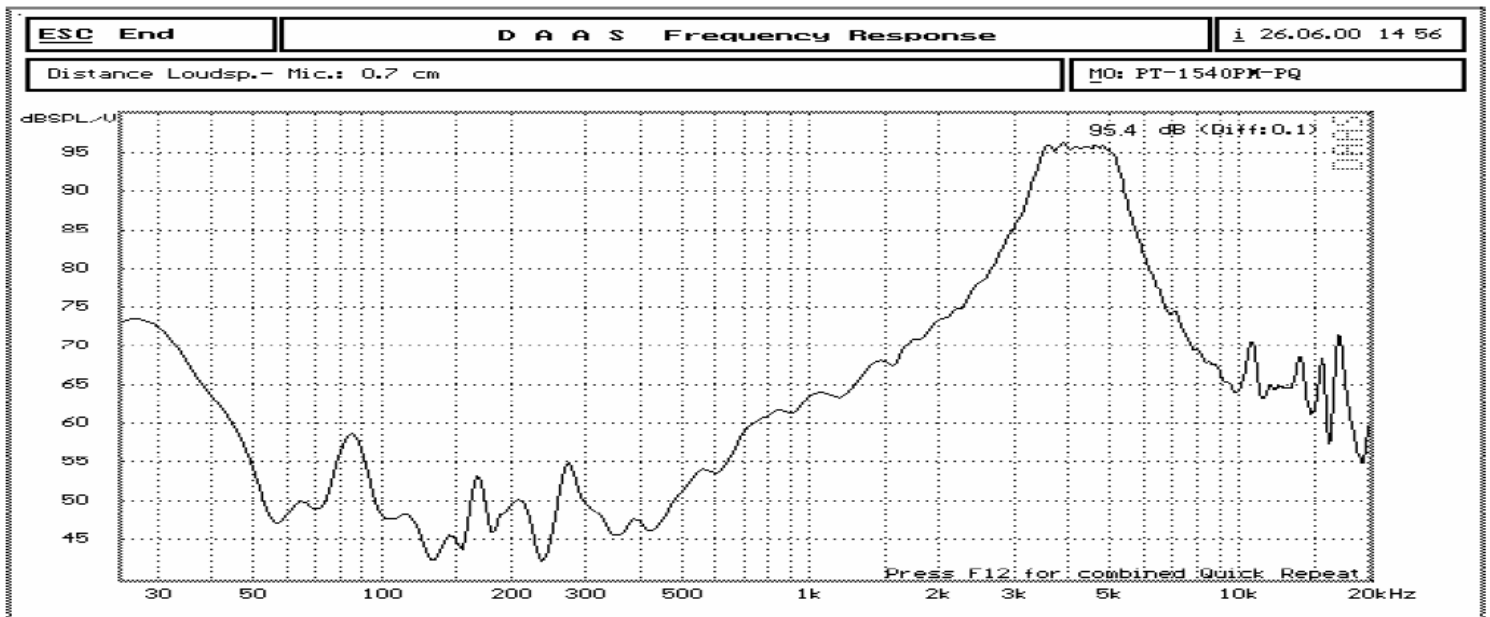
1 . Electrical Characteristics

VER.:0

Resonant Frequency (KHz)	4.0 ± 0.5
Operating Voltage (Vp-p/max)	25
Rated Voltage (Vp-p)	5.0
Current Consumption (mA/max)	1.5 at Rated Voltage
Sound Pressure Level (dB/min)	85 at 10cm at Rated Voltage
Capacitance (pF)	14,000 ± 30% at 120Hz
Operating Temperature (°C)	-20 ~ +100
Storage Temperature (°C)	-30 ~ +110
Wave soldering conditions (°C)	245±5°C for 3±0.5 seconds.
Manual soldering conditions (°C)	350±20°C / within 5sec

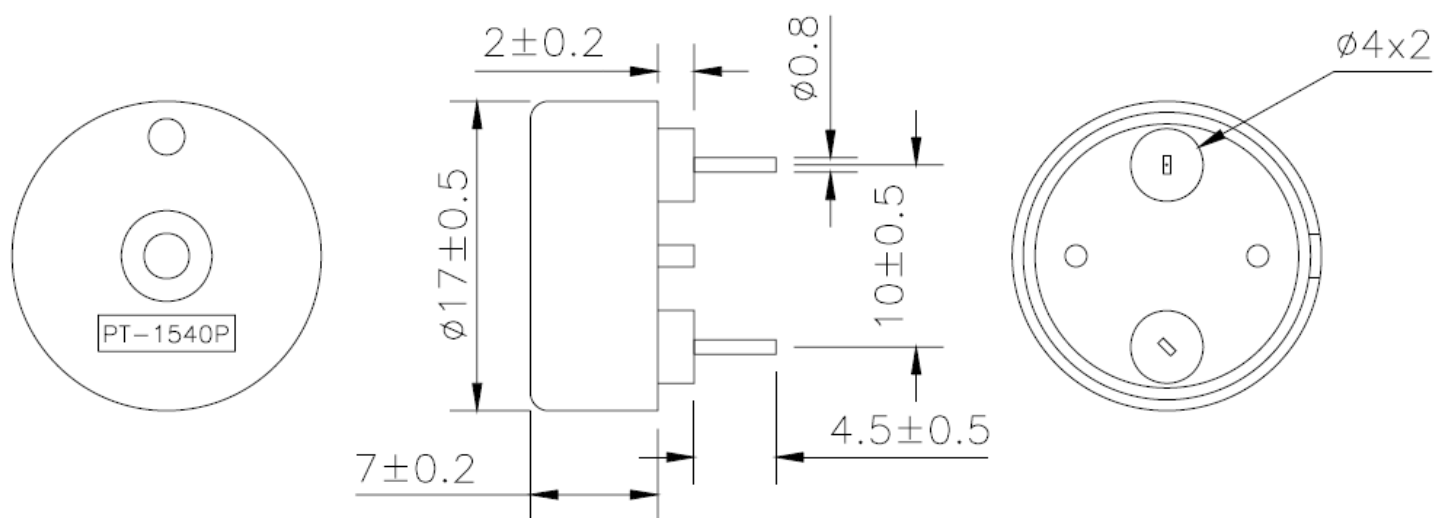
PS : Vp-p = 1/2 duty , square wave

2 . Typical Frequency Response Curve



3 . Dimensions and Material

3-1 Shape



Unit : mm

3-2 Material

Housing	PBT1200 UL94HB plastic resin (Color : Black)
Leading Pin	Tin Plated Brass
Weight (Gram)	1.2

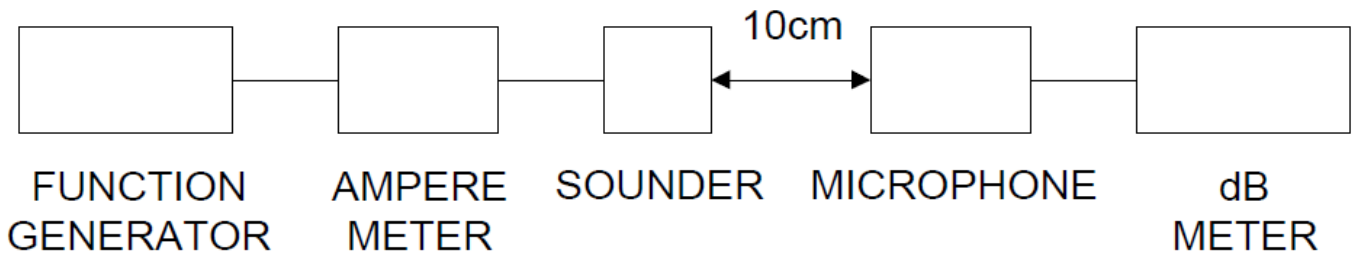
4. TESTING METHOD

- **Standard Measurement conditions**

Temperature: $25 \pm 2^\circ\text{C}$ Humidity: 45-60%

- **Acoustic Characteristics**

The oscillation frequency, current consumption and sound pressure are measured by the measuring instruments shown below.



In the measuring test, buzzer is placed as follows:



5. RELIABILITY

ITEMS	METHOD OF TEST AND MEASUREMENTS	PERFORMANCE
<i>Coldness withstanding</i>	<i>After 98 hours of being exposed to -30 °C environment, should be returned to normal environment for 2 hours, then re-proceed to test.</i>	<i>No abnormality shall exist</i>
<i>Hotness withstanding</i>	<i>After 98 hours of being exposed to +110 °C environment, should be returned to normal environment for 2 hours, then re-proceed to test.</i>	<i>No abnormality shall exist</i>
<i>Humidity withstanding</i>	<i>After 98 hours of being exposed to 40 °C 95%RH environment in actual operation, should be returned to normal environment for 2 hours, then re-proceed to test.</i>	<i>No abnormality shall exist</i>
<i>Durability</i>	<i>Testing after 1,000 hours actual continuous operation. (at standard measurement conditions)</i>	<i>No abnormality shall exist</i>
<i>Drop withstanding</i>	<i>A natural drop from 75cm high down to the ground.</i>	<i>No abnormality shall exist</i>
<i>Vibration withstanding</i>	<i>Vibration of 2,000 cycles per minute, 2mm amplitude, applied in X, Y and Z directions for 30 minutes each.</i>	<i>No abnormality shall exist</i>