



5 cable system Cascadable multiswitches

- cascadable distribution system of 4 SAT polarities and terrestrial TV for floor by floor installation and/or star distribution
- possibility to supply DC for LNBs through end line multiswitches MS554, MS554P; MS554P makes 14V from external 18V source
- economical power using concept - no DC power consumption from line
- passive terrestrial TV path allows to receive terrestrial TV programs without switching on SAT TV receiver
- depending on interconnection cable up to 5 multiswitches can be connected into cascade without compensating amplifier
- ready for return path operation

MS553

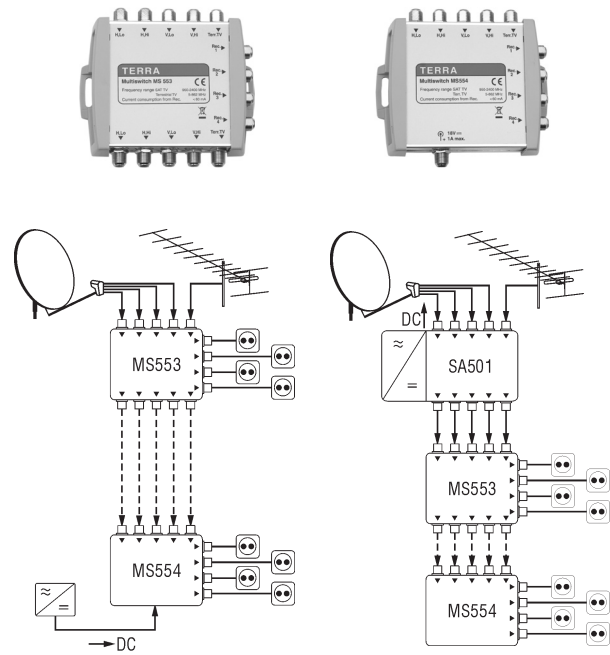
through line 5x4 multiswitch

MS554

end line 5x4 multiswitch feeds DC to all SAT IF incoming lines

MS554P

end line 5x4 multiswitch; creates 14 V DC for powering via vertical lines; 18 V DC feeds via horizontal lines



Technical specifications

T Y P E		MS553	MS554	MS554P
Ordering number		01727	01728	01729
Frequency range	SAT IF		950-2400 MHz	
	Terr. TV		5-862 MHz	
Tap gain	SAT IF		2 dB	
	Terr. TV		- 19 dB	
Maximal output level for SAT IF circuit, IMD3=35 dB (EN50083-3)			93 dBμV	
SAT inputs decoupling			> 30 dB	
Outputs decoupling	SAT IF		> 30 dB	
	Terr. TV		> 30 dB	
Through gain	SAT IF	- 3 dB		-
	Terr. TV	- 3.5 dB		-
DC pass through SAT input-output		2 A max.		-
DC pass from external 18 V power supply	through V lines	-	+12 V ÷ +18 V	14 V & 0.5 A max.
	through H lines	-	& 1 A max.	18 V & 1 A max.
Current consumption from receiver			< 60 mA	
Control signals	V/Lo, H/Lo		11.5-14.5 V/0 kHz, 16.5-19 V/0 kHz	
	V/Hi, H/Hi		11.5-14.5 V/22 kHz, 16.5-19 V/22 kHz	
Operating temperature range			-20° ÷ + 50° C	
Dimensions/Weight (packed)		117x106x34mm/0.25 kg		117x97x34mm/0.23 kg