



Distribution amplifiers

House connection amplifiers

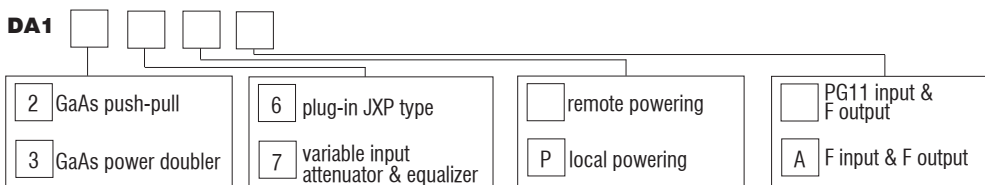
- GaAs push-pull technology
- flexibility provided by plug-in return path diplexers
- plug-in inverse equalizer
- plug-in interstage attenuator and equalizer for improving amplifier performance
- weatherproof and RF-screened die-cast housing
- switch-mode power supply unit
- remote powering through input RF port
- transient protection at input and output



Technical specifications		T Y P E			
		DA12X	DA12XP	DA13X	DA13XP
Frequency range*		47/75/87-862 MHz			
Return path*		5-30/55/65 MHz			
Input and output impedance		75 Ω			
Gain, 20°C		36 dB			
Flatness		± 0.75 dB			
Input and output return loss		18 dB/40 MHz-1.5 dB/octave			
Input attenuator		0-18 dB			
Input cable equalizer		0-18 dB			
Inverse cable equalizer		0-9 dB in 1 dB step			
Noise figure		max. 6 dB			
Output level CTB (EN50083-3)**		108 dBμV (42 ch.)		111 dBμV (42 ch.)	
Output level CSO (EN50083-3)**		110 dBμV (42 ch.)		112 dBμV (42 ch.)	
Mains voltage		24±65 V~ 50 Hz	187-250 V~ 50 Hz	24±65 V~ 50 Hz	187-250 V~ 50 Hz
Power consumption		max. 12.5 W	max. 11 W	max. 15.5 W	max. 13.5 W
Current consumption	24 V AC	0.77 A	-	0.94 A	-
	42 V AC	0.49 A	-	0.59 A	-
	65 V AC	0.36 A	-	0.43 A	-
Loss in internal input test point (bi-directional)		-20 ± 2.0 dB			
Loss in internal output test point (directional)		-20 ± 0.5 dB			
Input connector***		PG11 or F			
Output connector		F			
Test point connectors		F			
Enclosure category		IP 64			
Operating temperature range		-20° ÷ + 50° C			
Dimensions		180x132x76 mm (main body); 213x132x76 mm (with fixing ears)			
Weight (packed)		1.6 kg	1.7 kg	1.6 kg	1.7 kg

* frequency range depends on inserted plug-in diplexer
 ** output level (CTB, CSO) is measured with 6 dB interstage equalizer
 *** the amplifier is available with input connector PG11 thread or F female

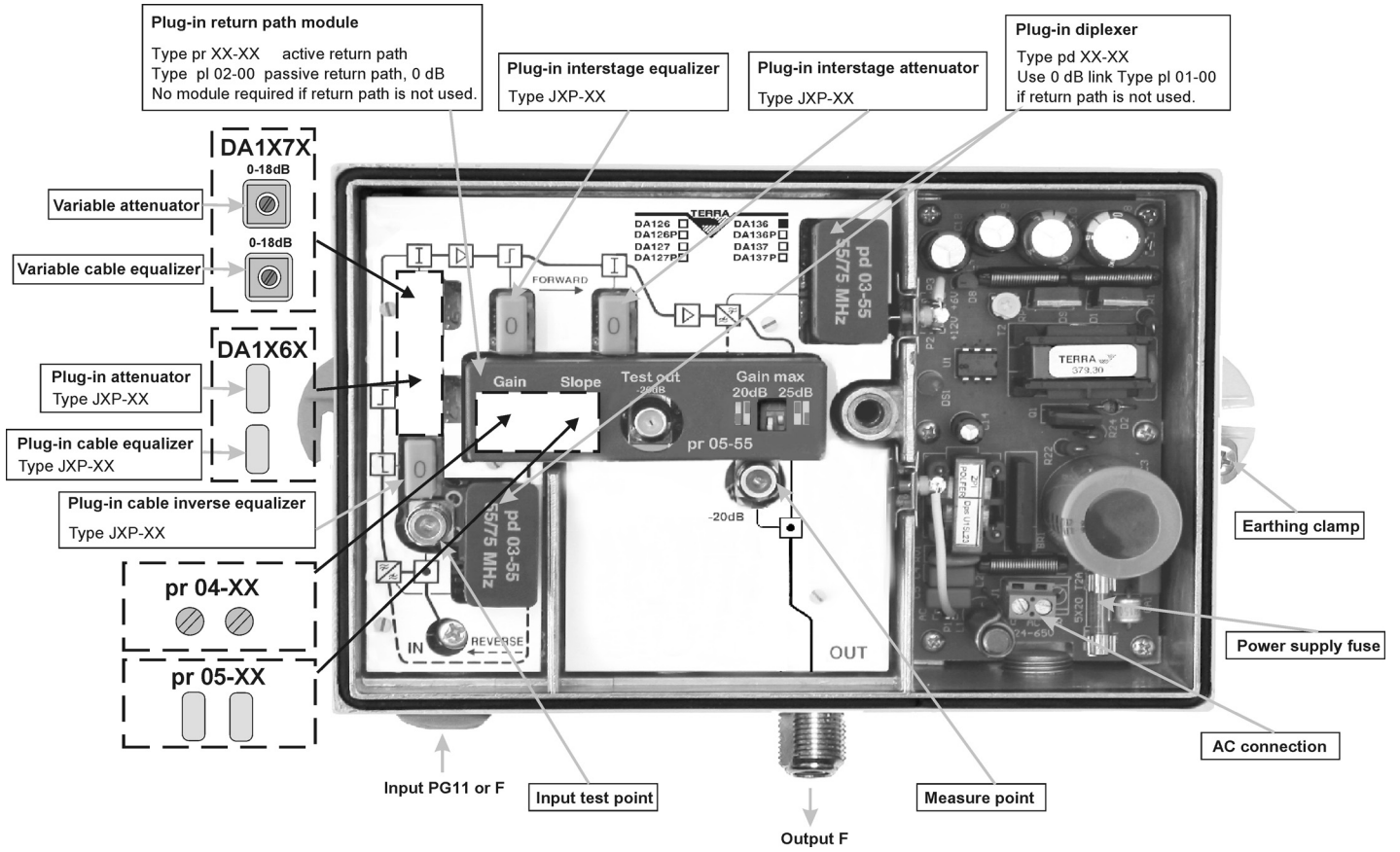
All parameters are measured with links pl 01-00 instead of return path diplexers; JXP-0 instead of input attenuator, cable equalizer, cable inverse equalizer; interstage attenuator and cable equalizer.



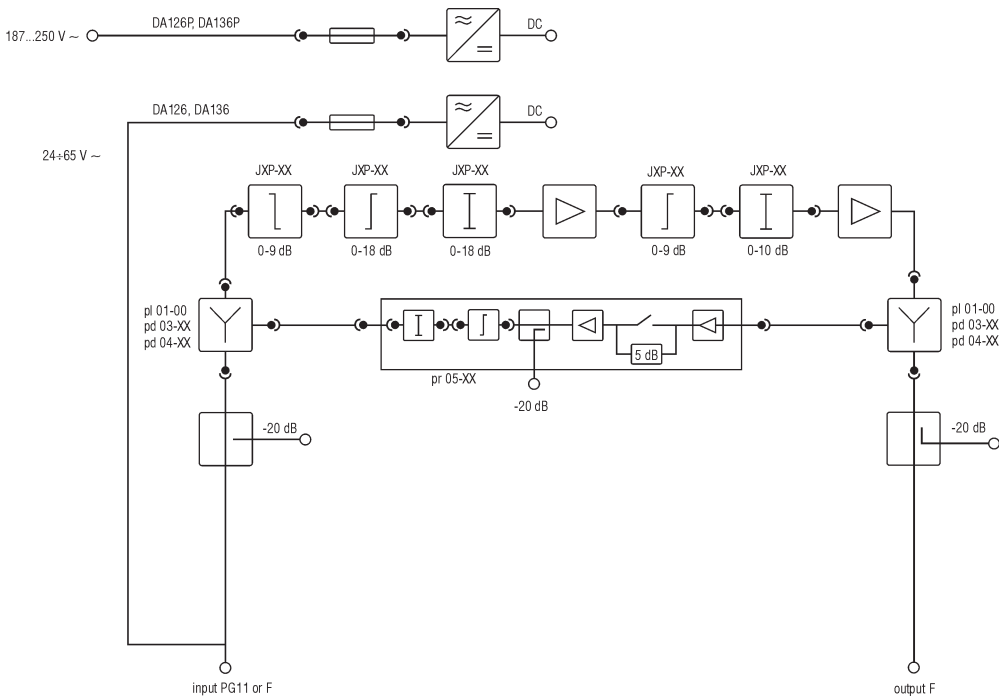


Distribution amplifiers

House connection amplifiers



Structure diagram of DA1X6X

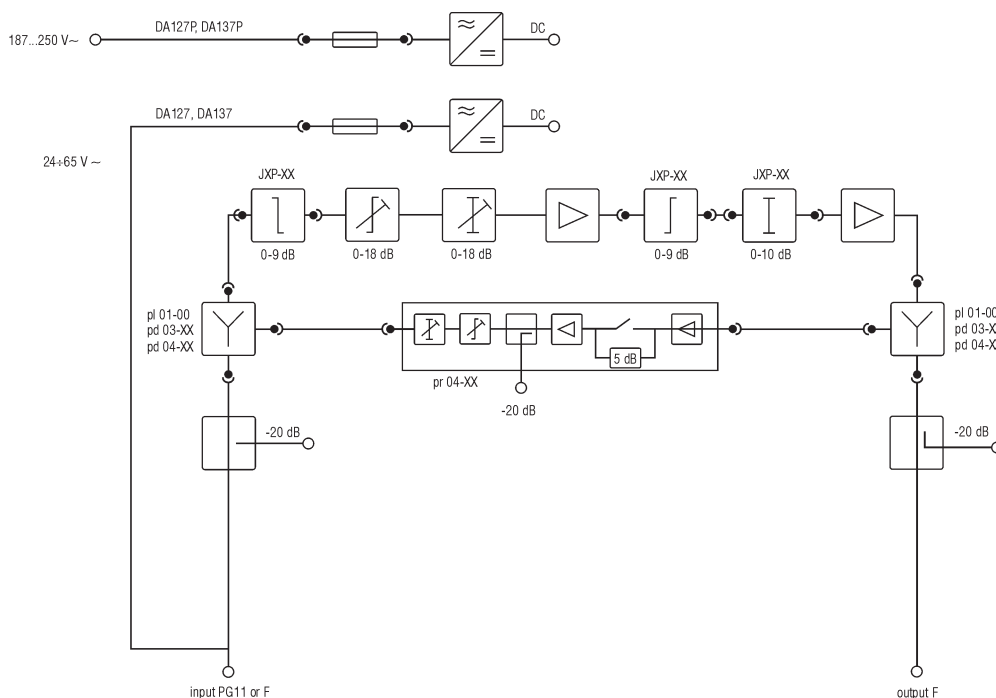




Distribution amplifiers

House distribution amplifiers

Structure diagram of DA1X7X



Ordering notes

Band	no return path 30/47 MHz 55/75 MHz 65/87 MHz	2 x pl 01-00 2 x pd 03-30 (pd 04-30) 2 x pd 03-55 (pd 04-55) 2 x pd 03-65 (pd 04-65)
Return path	0 dB passive 20/25 dB gain 30 MHz, variable adjustments 20/25 dB gain 55 MHz, variable adjustments 20/25 dB gain 65 MHz, variable adjustments 20/25 dB gain 30 MHz, plug-in adjustments 20/25 dB gain 55 MHz, plug-in adjustments 20/25 dB gain 65 MHz, plug-in adjustments	pl 02-00 pr 04-30 pr 04-55 pr 04-65 pr 05-30, JXP-XX pr 05-55, JXP-XX pr 05-65, JXP-XX
Input adjustments	cable simulator 0-9 dB by 1 dB step attenuator 0-20 dB by 1 dB step (for DA1X6X only) equalizer 0-20 dB by 1 dB step (for DA1X6X only)	JXP-XX JXP-XX JXP-XX
Interstage	attenuator 0-10 dB by 1 dB step equalizer 0-9 dB by 1 dB step	JXP-XX JXP-XX

Ordering number

DA126	11848
DA126-A	11878
DA126P	11850
DA126P-A	11880
DA127	11849
DA127-A	11879
DA127P	11851
DA127P-A	11881
DA136	11852
DA136-A	11882
DA136P	11854
DA136P-A	11884
DA137	11853
DA137-A	11883
DA137P	11855
DA137P-A	11885