



# House amplifiers with changeable plug-in modules

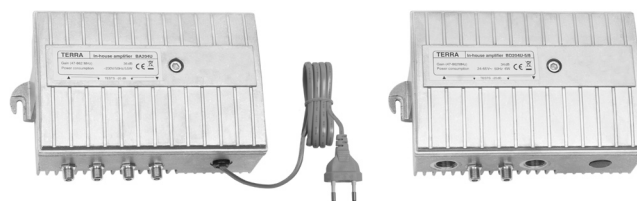
## High power amplifiers with interstage plug-ins

- flexibility provided by changeable plug-in modules: return path passive pd 02-xx or active pr 02-xx, interstage attenuator JXP-xx, cable simulator, slope pre-correction and adjustable gain & slope regulators
- plug-in inverse equalizer
- supplied with plug-in links
- GaAs push-pull output stage
- weatherproof and RF-screened die-cast housing
- test points: input - bi-directional, output - directional

**BA204U, BA213U**  
local powered; F connectors

**BD204U, BD213U**  
remote powered; switchable AC pass to output; F connectors

**BD204U-5/8, BD213U-5/8**  
remote powered; switchable AC pass to output; input and output connector 5/8"

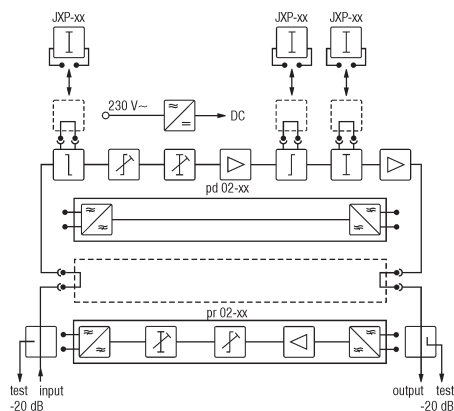


### Technical specifications

TYPE		BA204U	BD204U	BD204U-5/8	BA213U	BD213U	BD213U-5/8
Ordering number		00591	00593	00588	02501	02502	02503
Frequency range	forward path*	47/75/87- 862 MHz					
	return path*	5-30/55/65 MHz					
Gain	forward path**	36 dB			39 dB		
	return path with pd 02-xx/pr 02-xx	-2.5/19 dB					
Flatness***		± 0.5 dB					
Gain adjustment		20 dB					
Slope adjustment, typical		18 dB					
Inverse cable equalizer		0-9 dB in 1 dB step					
Output level CTB, CSO (EN50083-3)****		107 dBμV			109 dBμV		
Input and output return loss*****		> 14 dB					
Noise figure		< 7 dB					
Test points attenuation		- 20 dB					
Power consumption	mains powering	230 V~ 50 Hz 5.5 W	-		230 V~ 50 Hz 11 W	-	
	remote powering	-	24-65 V~ 50 Hz 6 W		-	24-65 V~ 50 Hz 12 W	
AC pass current, switchable		-	2 A max.		-	2 A max.	
Operating temperature range		-20° ÷ +50° C					
Dimensions		180x132x76 mm (main body); 213x132x76 mm (with fixing ears)					
Weight (packed)		1.4 kg	1.3 kg		1.4 kg	1.3 kg	

\* depends on plug-in modules: return path passive pd 02-xx or active pr 02-xx (return path modules should be ordered separately)  
 \*\* with link 0 dB instead of interstage attenuator JXP-xx and interstage equalizer; 4 dB and 6 dB JXP-xx attenuators are supplied in scope of the amplifier delivery  
 \*\*\* for amplifiers with return path - ± 0.7 dB  
 \*\*\*\* measured with 6 dB interstage equalizer  
 \*\*\*\*\* when f ≥ 40 MHz, return loss ≥ 14 dB (40 MHz) - 1.5 dB/octave, but not less 10 dB

**BA204U**  
**BA213U**



**BD204U**  
**BD204U-5/8**  
**BD213U**  
**BD213U-5/8**

