



# House amplifiers Apartment amplifiers

- built-in adjustable gain regulators
- die-cast housing inside plastic case
- built-in power supply

**AS036**

amplifier with two outputs

**AS038**

amplifier with four outputs

**AS036R65**

amplifier with two outputs;  
with passive return path from output #1

**AS038R65**

amplifier with four outputs;  
with passive return path from output #1

**AS039**

amplifier with two outputs

**AS039R65**

amplifier with two outputs;  
with passive return path

**CABRIOLINE**



**Technical specifications**

| T Y P E                                     | AS036                       | AS036R65   | AS038                       | AS038R65   | AS039                         | AS039R65   |
|---|-----------------------------|------------|-----------------------------|------------|-------------------------------|------------|
| Ordering number                             | 02510                       | 02511      | 02512                       | 02513      | 02514                         | 02515      |
| <b>Forward path</b>                         |                             |            |                             |            |                               |            |
| Frequency range                             | 47-862 MHz                  | 87-862 MHz | 47-862 MHz                  | 87-862 MHz | 47-862 MHz                    | 87-862 MHz |
| Outputs number                              | 2                           |            | 4                           |            | 2                             |            |
| Gain  | 19 dB/47 MHz; 23 dB/862 MHz |            | 16 dB/47 MHz; 20 dB/862 MHz |            | 16 dB/47 MHz*; 20 dB/862 MHz* |            |
| Gain adjustment                             | 0 ÷ -16 dB                  |            |                             |            | 0 ÷ -12 dB                    |            |
| Maximal output level IMD3=60 dB (DIN45004B) | 103 dB $\mu$ V              |            | 100 dB $\mu$ V              |            | 100 dB $\mu$ V*               |            |
| Input and output return loss                | >10 dB                      |            |                             |            | -                             |            |
| Noise figure                                | < 5 dB                      |            |                             |            | < 6 dB                        |            |
| Test point attenuation                      | -20 dB                      |            |                             |            | -                             |            |
| Outputs decoupling                          | > 16 dB                     |            |                             |            | -                             |            |
| <b>Return path</b>                          |                             |            |                             |            |                               |            |
| Frequency range                             | -                           | 5 - 65 MHz | -                           | 5-65 MHz   | -                             | 5-65 MHz   |
| Gain  | -                           | -2 dB      | -                           | -2 dB      | -                             | -5 dB*     |
| Return loss                                 | -                           | > 14 dB    | -                           | > 14 dB    | -                             | > 12 dB*   |
| <b>General</b>                              |                             |            |                             |            |                               |            |
| Power consumption                           | 230 V~ 50 Hz 3 W            |            |                             |            |                               |            |
| Operating temperature range                 | -20° ÷ +50° C               |            |                             |            |                               |            |
| Dimensions/Weight (packed)                  | 133x63x39 mm/0.36 kg        |            | 133x73x39 mm/0.36 kg        |            | 133x63x39 mm/0.36 kg          |            |

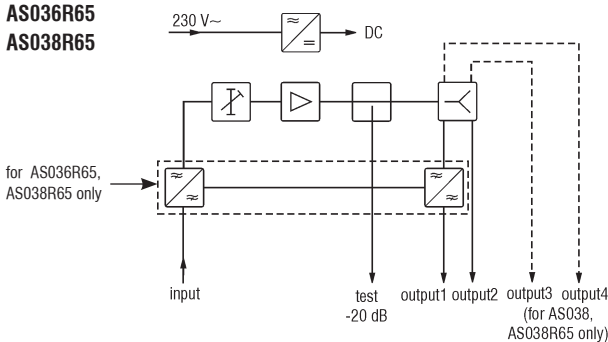
\* when loaded other symmetrical output

**AS036**

**AS038**

**AS036R65**

**AS038R65**



**AS039**  
**AS039R65**

