

15 Watt

AC/DC-Converter Package AC



- o Universal Input
- o Single, Dual & Triple Output
- o Isolation Voltage 3.000 VAC
- o Short Circuit Protection
- o Compact Size



MODEL NUMBER	INPUT VOLTAGE	OUTPUT VOLTAGE	OUTPUT CURRENT	MIN. LOAD	%EFF
ACS15AC-5	90-260 VAC	5 VDC	3.000 mA	0%	75
ACS15AC-12		12 VDC	1.250 mA		80
ACS15AC-15		15 VDC	1.000 mA		80
ACS15AC-24		24 VDC	625 mA		84
ACD15AC-5		±5 VDC	±1.500 mA		75
ACD15AC-12		±12 VDC	±650 mA		79
ACD15AC-15		±15 VDC	±500 mA		79
ACT15AC-5/12*		5, ±12 VDC	2.000, ±200 mA	5V 10% (200 mA)	75
ACT15AC-5/15*		5, ±15 VDC	2.000, ±150 mA		75

*)No TÜV-approval

SPECIFICATIONS

All Specifications Typical At Nominal Line, Full Load, and 25°C Unless Otherwise Noted

INPUT SPECIFICATIONS

Input Voltage Range	47-440 Hz, 90-260 VAC or 120-370 VDC
Current (Full Load)	280 mA max. (115 VAC) 170 mA max. (230 VAC)
Inrush Current (<2ms)	10 A max. (115 VAC) 20 A max. (230 VAC)
Leakage Current	0.75 mA max.
External Fuse (recommended)	1.5 A slow blow type

OUTPUT SPECIFICATIONS

Voltage Accuracy	±2%	
Maximum Capacitive Load	470-23000 µF depending on model	
Ripple & Noise at 20 MHz BW	<0.5% Vout +50mV p-p max.	
Over Current Protection	Hiccup technique, auto recovery	
Over Voltage Protection	Zener diode clamp	
Short Circuit Protection	Hiccup mode, indefinite (automatic recovery)	
Hold-Up Time	15 ms min.	
Line Regulation ¹⁾	Single	±0.5%
	Dual	±0.5%
	Triple 5V	±1.0%
	±12V, ±15V	±5.0%
Load Regulation ²⁾	Single	±0.5%
	Dual	±3.0%
	Triple 5V	±2.0%
	±12V, ±15V	±5.0%

¹⁾Measured from Low Line to Half Line²⁾Measured from 5% Load to Full Load

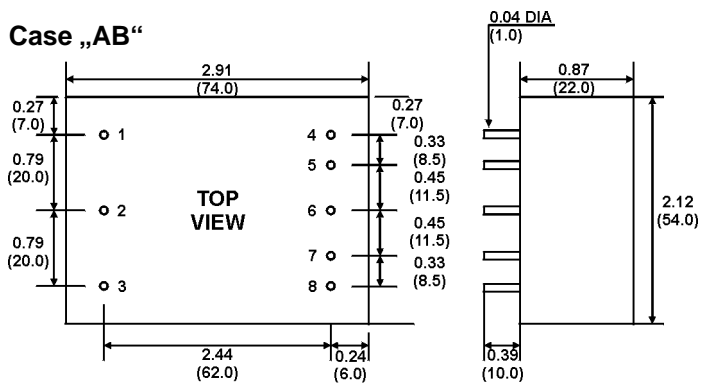
SPECIFICATIONS

All Specifications Typical At Nominal Line, Full Load, and 25°C Unless Otherwise Noted

GENERAL SPECIFICATION	
Efficiency	see table
Isolation Voltage	Input-Output 3.000VAC Input-FG 1.500VAC Output-FG 500VAC
Isolation Impedance	100 Mohms min. at 1KVDC
Switching Frequency	100 kHz
Operating Temperature Range	-25°C to +71°C
Derating	>50°C (see diagram page 4)
Storage Temperature Range	-40°C to +85°C
Temperature Coefficient	0.02%/°C
Humidity	95% RH
Cooling	Free-Air Convection
Weight	140 g
Case Material	Plastic Resin+ Fiberglass (flammability to UL 94V-0) case Inside Epoxy Resin
MTBF (MIL-HDBK-217F)	>200.000 hrs
Safety Standards	UL1950, EN60950:1992+A1+A2+A3+A4+A11
EMC Standards	EN50081-1, EN55022 Class B, EN61000-3-2, EN61000-3-3, EN50082-1, EN55024 IEC801-2+3, IEC1000-4-4
Dimensions	2.91 x 2.12 x 0.87 Inches (74.0 x 54.0 x 22.0 mm)

MECHANICAL SPECIFICATIONS

Case „AB“



All Dimensions in Inches (mm)

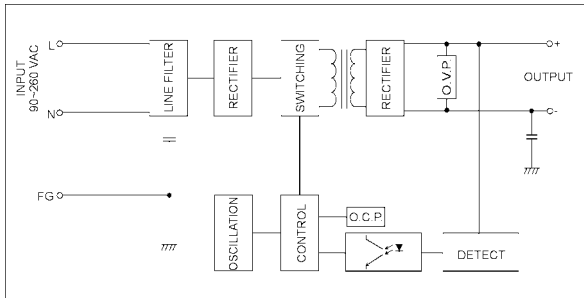
PIN CONNECTIONS			
Pin	Single	Dual	Triple
1	FG	FG	FG
2	VAC IN	VAC IN	VAC IN
3	VAC IN	VAC IN	VAC IN
4	NO PIN	NO PIN	-VDC OUT
5	-VDC OUT	-VDC OUT	COMMON
6	NO PIN	COMMON	+VDC OUT
7	+VDC OUT	+VDC OUT	COMMON
8	NO PIN	NO PIN	+5 V OUT

SPECIFICATIONS

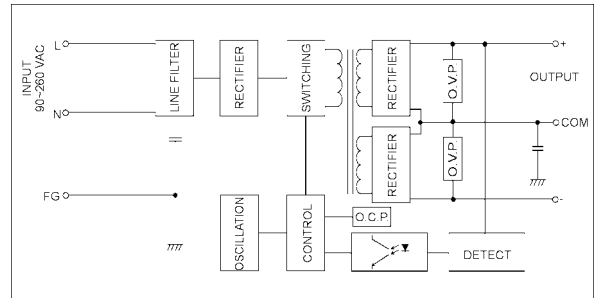
All Specifications Typical At Nominal Line, Full Load, and 25°C Unless Otherwise Noted

Application Notes

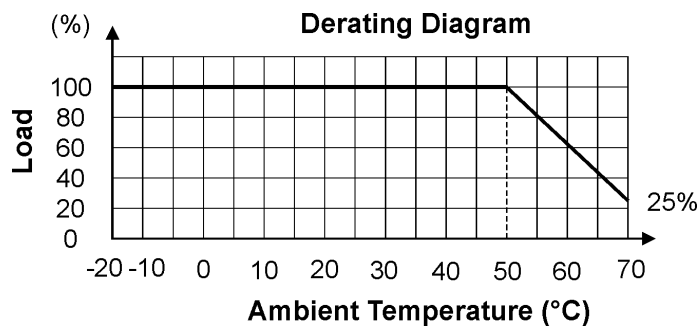
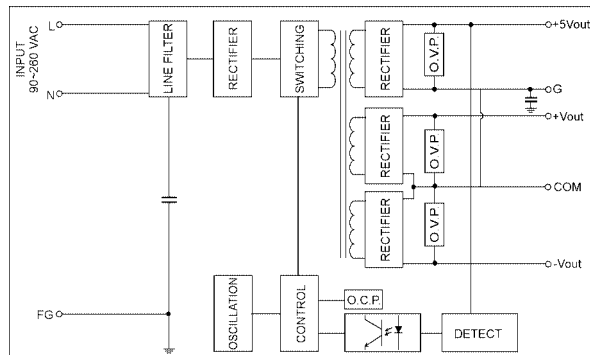
BLOCK DIAGRAM - Single Output



BLOCK DIAGRAM - Dual Output



BLOCK DIAGRAM - Triple Output



NOTICE:
 The information in this document has been carefully checked. However, no responsibility is assumed for inaccuracies!
 Specifications can be changed without notice. The latest and most complete information can be found on our website.